

P R E F A C E

1. This parts catalog is a first edition of Yanmar crawler backhoe Vi045 (for Europe).

Pub. No. : 000Y00S4210

Published: Feb., 2003

2. Model name

SECTION	Column	Model name
I (Vehicle)	(A)	Vi045
II (Engine)	(A)	3TNE88-EBVCA

3. Your understanding is asking that this parts catalog is not a technical data manual setting forth as servicing procedures, This parts catalog is using simplified illustration.

Be sure to use Yanmar Genuine Parts in your maintenance servicing of Yanmar products. Be careful not to use the simple parts available in the market; otherwise their use in repairing causes such as an early breakage, for instance.

PICTURESQUE INDEX (1) ···MAIN PARTS

LABEL···Fig.1

RADIATOR & MOUNT···Fig.5
 FUEL TANK & FUEL PIPE···Fig.6
 BATTERY···Fig.7
 BONNET···Fig.25
 HYD.OIL TANK···Fig.42

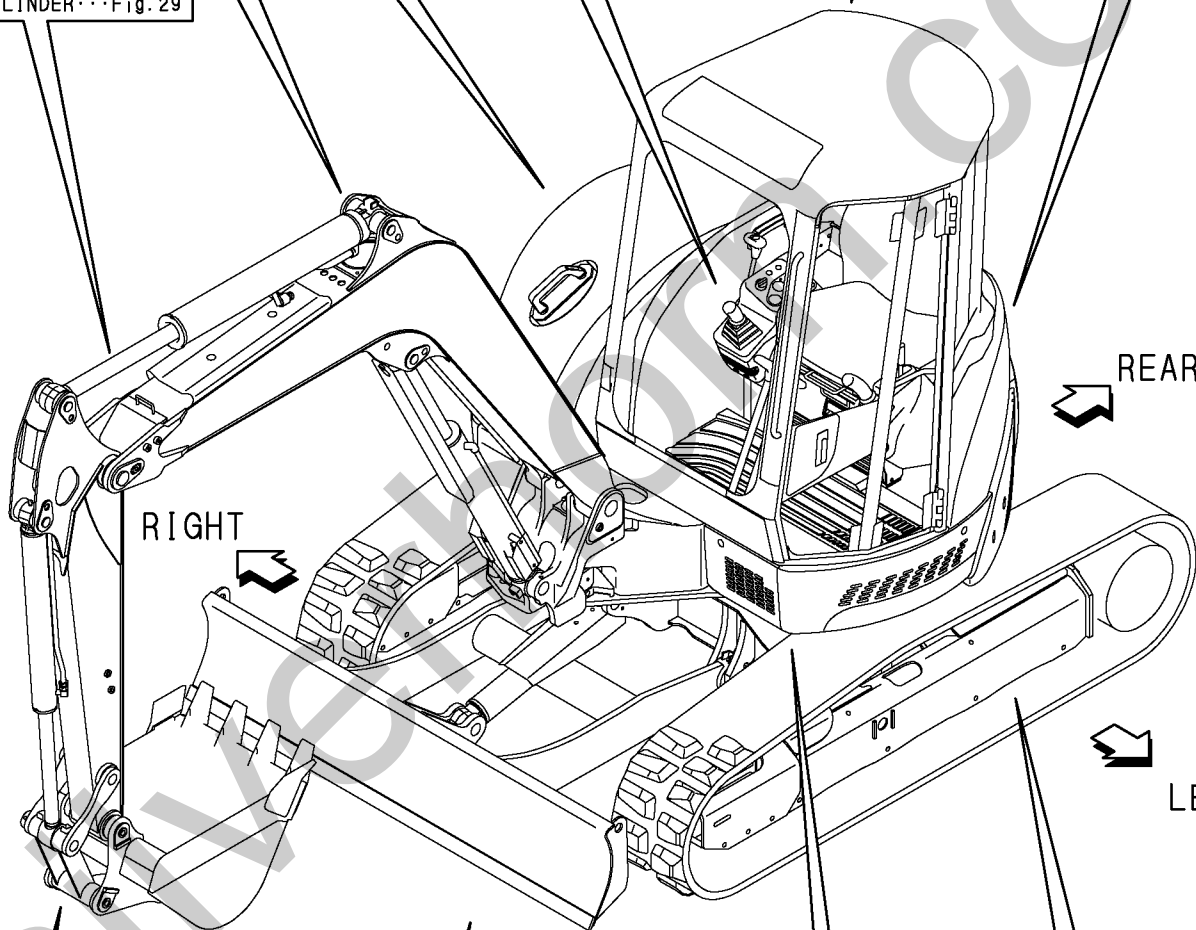
ACCELERATOR···Fig.3
 ELECTRIC PART···Fig.8,9
 CONTROL EQUIPMENT···Fig.13~19
 COVER···Fig.21,22
 STEP & INSTRUMENT PANEL···Fig.23
 SEAT MOUNT···Fig.24
 REMOTE CONTROL VALVE···Fig.41

WORK LAMP···Fig.10
 CANOPY MOUNT···Fig.26

SILENCER & AIR CLEANER···Fig.2
 ENGINE MOUNT···Fig.4

BOOM CYLINDER···Fig.28
 BOOM & BOOM BURACKET···Fig.53

ARM CYLINDER···Fig.29



REAR

RIGHT

LEFT

FRONT

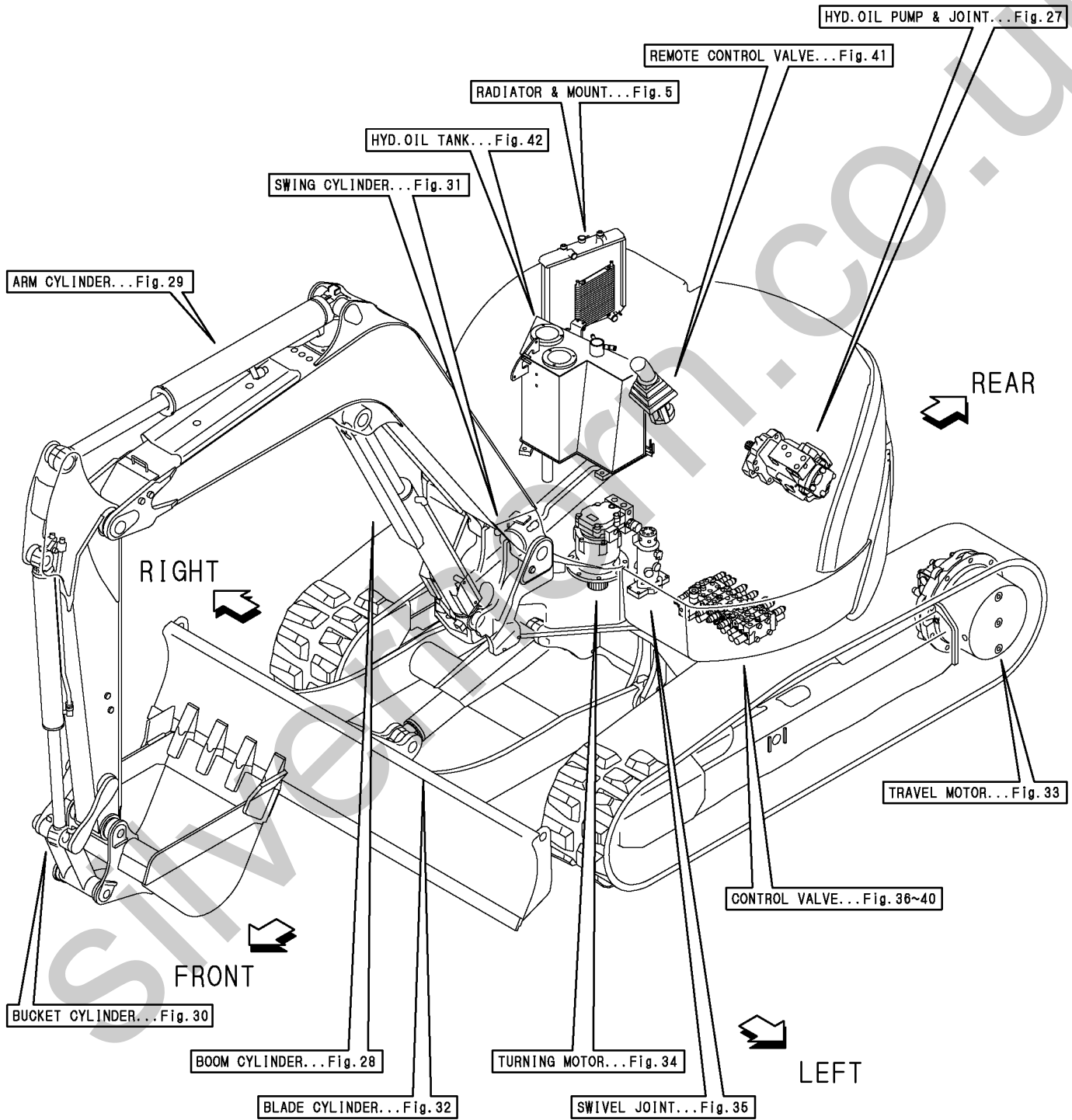
BUCKET CYLINDER···Fig.30
 ARM & BUCKET LINK···Fig.54
 BUCKET PIN···Fig.55

SWING CYLINDER···Fig.31
 BLADE CYLINDER···Fig.32
 BLADE···Fig.56

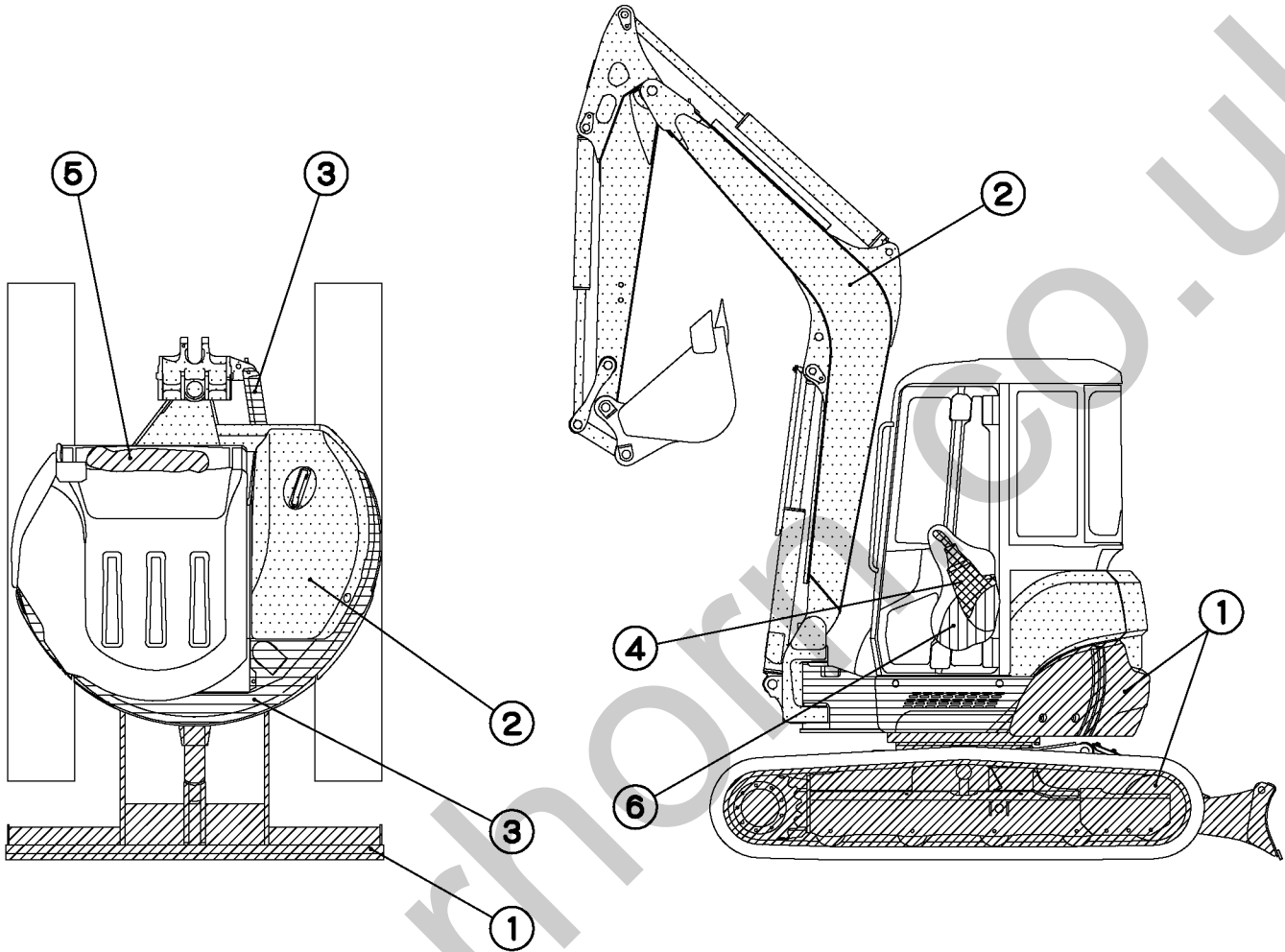
ROLLER & ADJUST···Fig.11
 CRAWLER···Fig.12
 FRAME & TURNING BEARING···Fig.20
 TRAVEL MOTOR···Fig.33

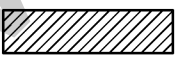
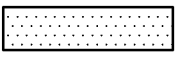
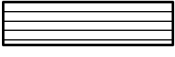



HYD.OIL PUMP & JOINT···Fig.27
 TURNING MOTOR···Fig.34
 SWIVEL JOINT···Fig.35
 CONTROL VALVE···Fig.36~40
 HYD.OIL PIPING···Fig.43~49
 CONTROL PIPING···Fig.50,51
 GREASING···Fig.52

PICTUREAQUE INDEX (2) ···HYDRAULIC SECTION



1 [PAINTED COLOR LIST]



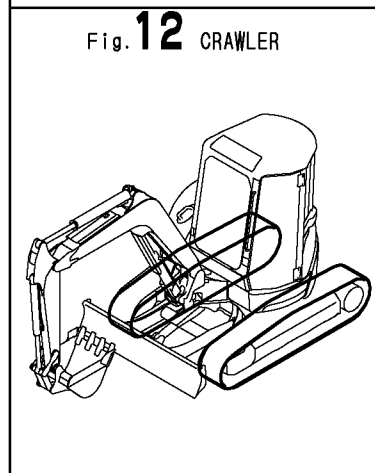
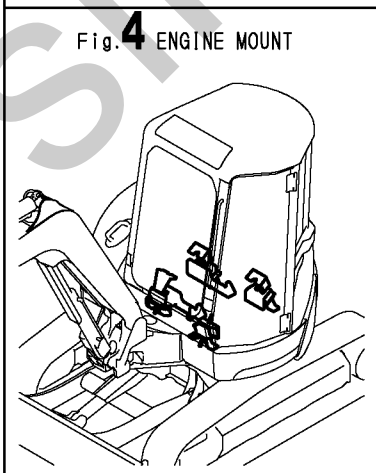
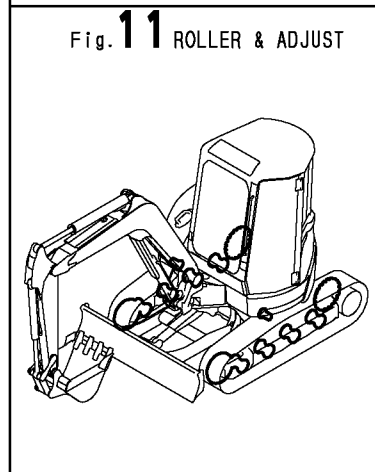
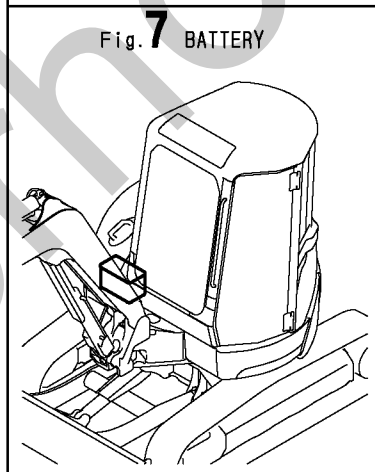
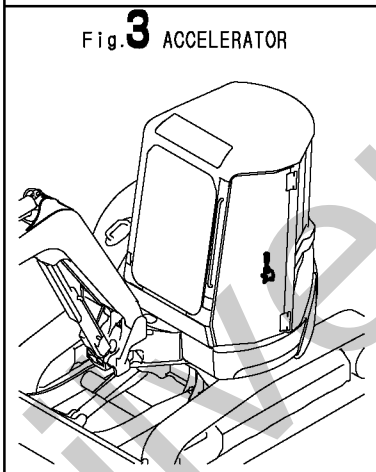
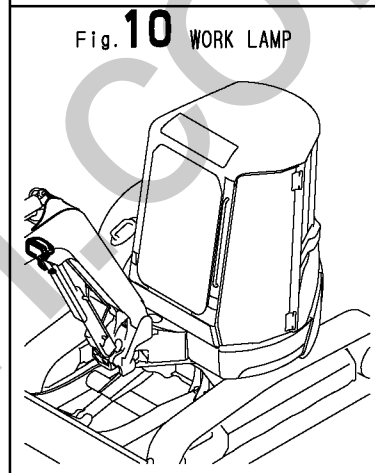
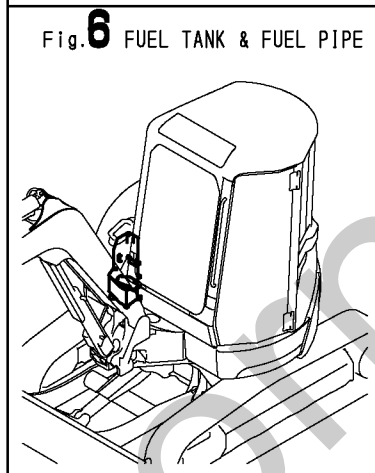
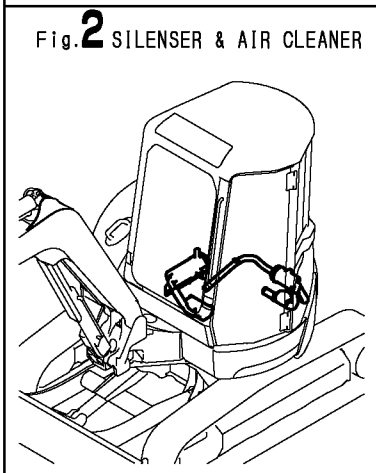
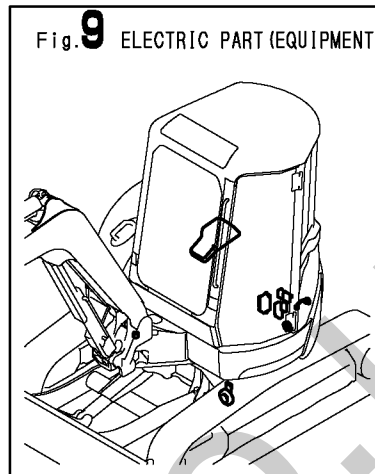
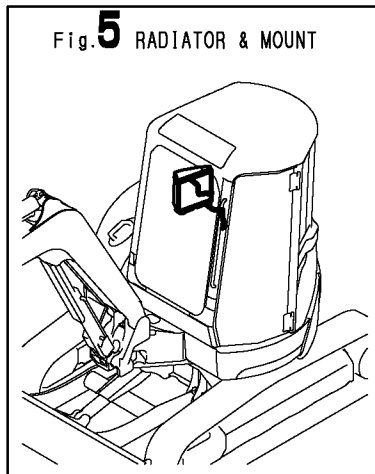
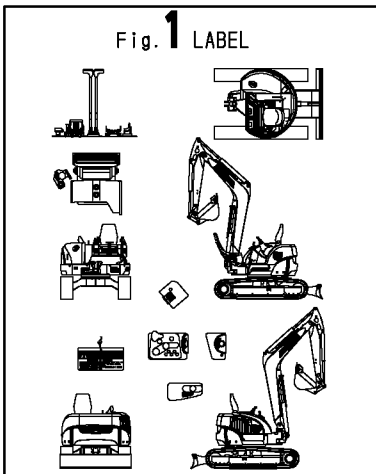
PART	DESCRIPTION	PAINTED COLOR MUNSEL No.	COLOR CODE
①		YANMAR DEEP GREEN 6.36BG2.11/1.76	82
②		YANMAR NEW PERMANENT YELLOW 5.2Y8.5/11	87
③		YANMAR NEW GRAYISH GREEN 2.9BG4.8/3.0	86
④		YANMAR DARK OLIVE GRAY 5.39Y2.92/0.78	72
⑤		YANMAR BLACK 4.90PB0.08/0.41	12
⑥		YANMAR WARM GRAY 7Y5.3/0.8	73

2 [PAINT PART No.]

PART	PAINTED COLOR	PAINT PART No.		
		16ℓCAN	4ℓCAN	SPRAY
①	YANMAR DEEP GREEN	981101-09517	977620-40820	977620-30N31
②	YANMAR NEW PERMANENT YELLOW	981101-09519	977620-40870	977620-30871
③	YANMAR NEW GRAYISH GREEN	981101-09616	977620-40860	977620-30861
④	YANMAR DARK OLIVE GRAY	-----	977620-40720	TOR-90460003
⑤	YANMAR BLACK	-----	TOR-91220001	TOR-90220003
⑥	YANMAR WARM GRAY	-----	-----	TOR-90450003

3 [COLOR OF MAIN PARTS]

PART	PAINTED COLOR	MAIN PARTS
①	YANMAR DEEP GREEN	TRAVEL FRAME WEIGHT SWING CYLINDER BLADE CYLINDER BLADE
②	YANMAR NEW PERMANENT YELLOW	BONNET BOOM ARM
③	YANMAR NEW GRAYISH GREEN	TURNING FRAME CANOPY
④	YANMAR DARK OLIVE GRAY	LEVER SORT PEDAL
⑤	YANMAR BLACK	CABIN DOOR LINK STAND SIDE STEP
⑥	YANMAR WARM GRAY	OPERATION PART ENGINE RELATED PART FRAME INTERIOR PART



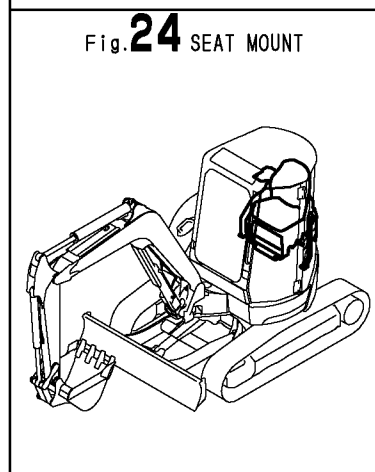
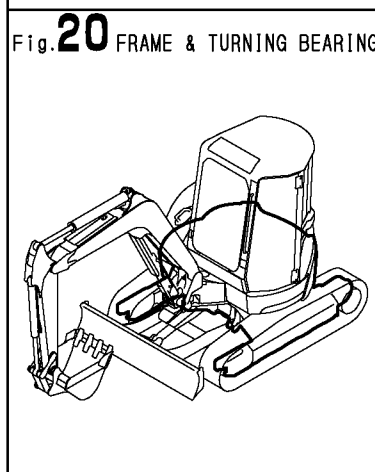
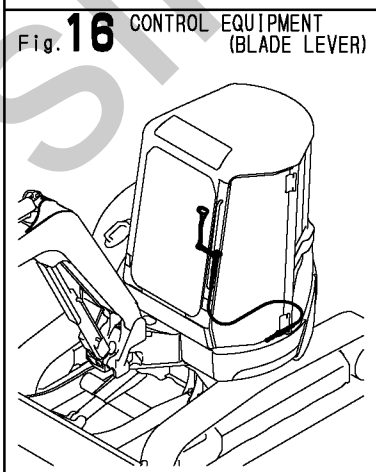
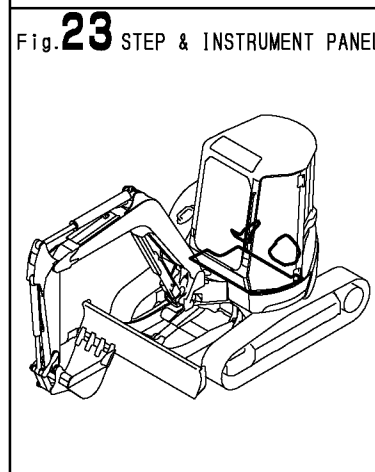
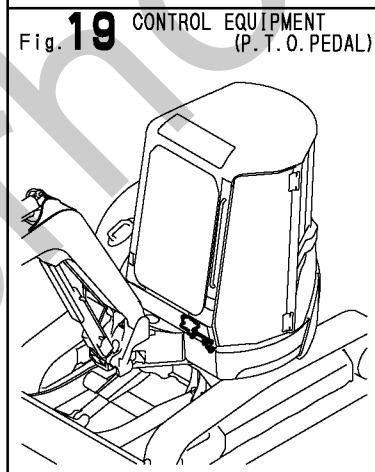
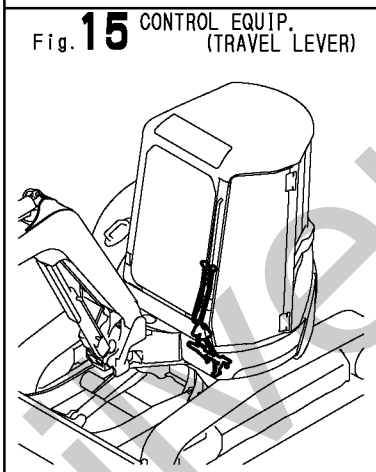
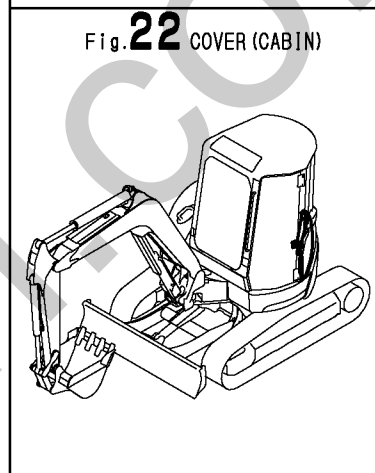
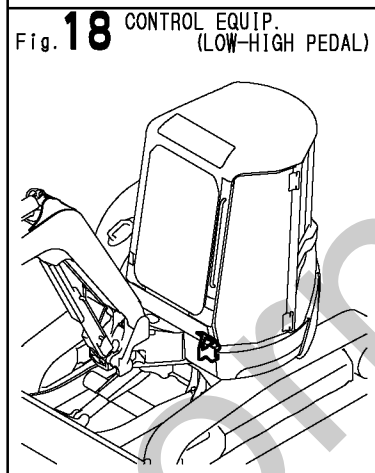
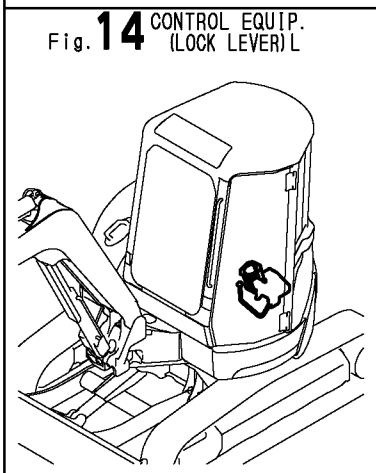
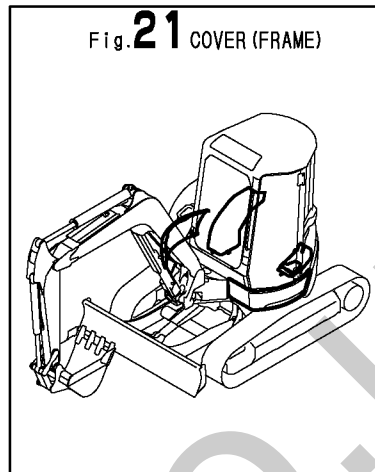
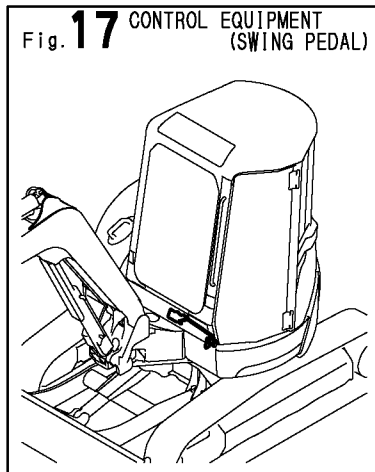
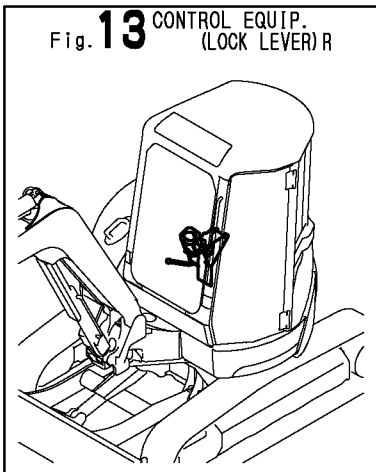


Fig. **25** BONNET

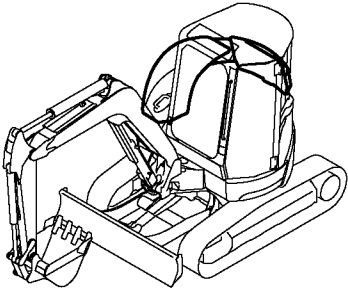


Fig. **29** ARM CYLINDER

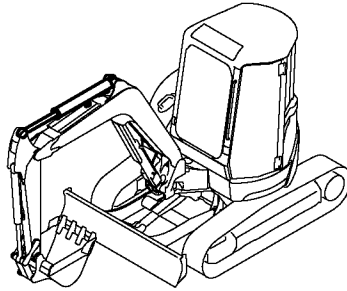


Fig. **33** TRAVEL MOTOR

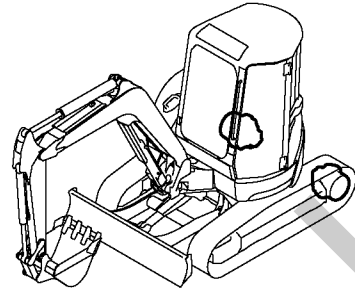


Fig. **26** CANOPY MOUNT

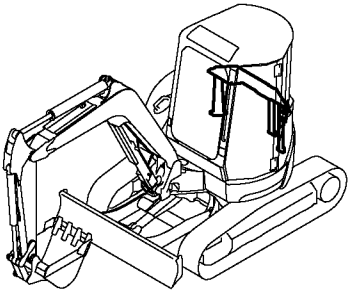


Fig. **30** BUCKET CYLINDER

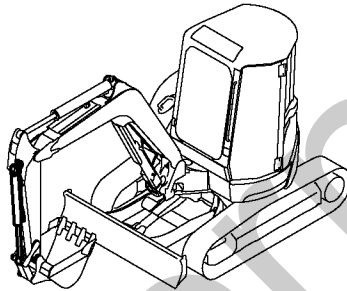


Fig. **34** TURNING MOTOR

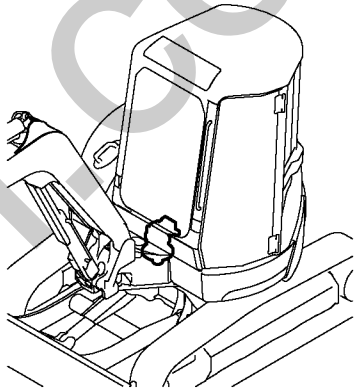


Fig. **27** HYD. OIL PUMP & JOINT

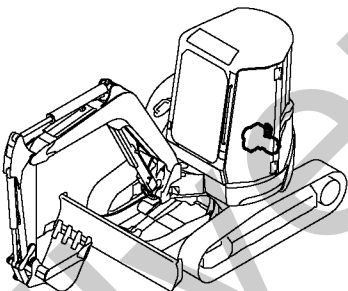


Fig. **31** SWING CYLINDER

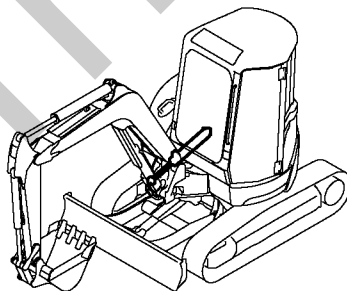


Fig. **35** SWIVEL JOINT

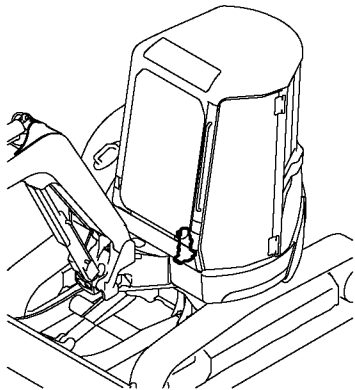


Fig. **28** BOOM CYLINDER

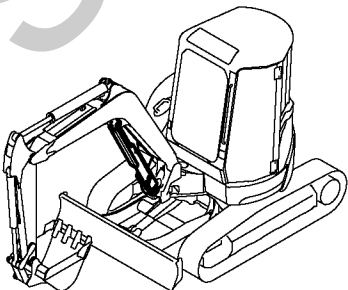


Fig. **32** BLADE CYLINDER

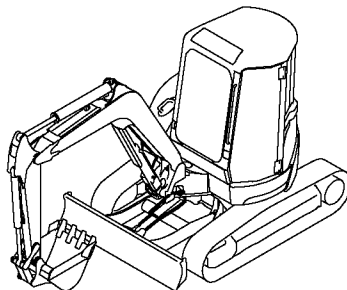


Fig. **36** CONTROL VALVE (P-PORT)

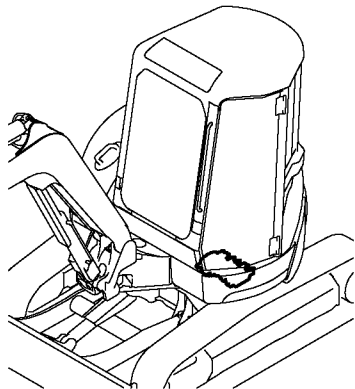


Fig. **37** CONTROL VALVE
(TRAVEL & P.T.O.)

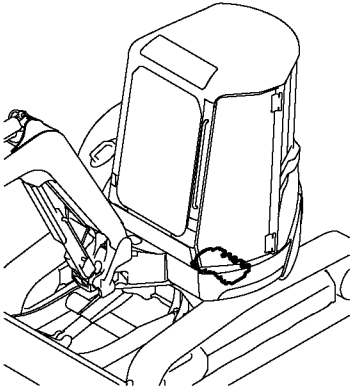


Fig. **41** REMOTE CONTROL VALVE

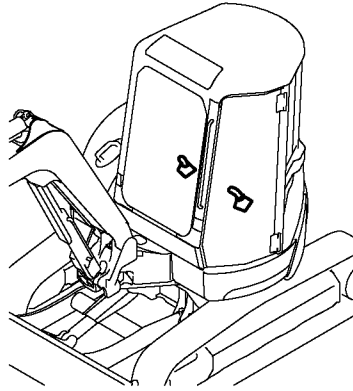


Fig. **45** HYD. OIL PIPING
(VALVE-S.-SWING)

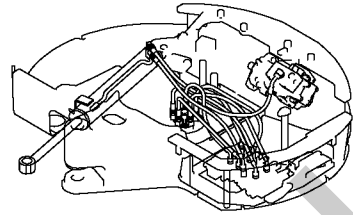


Fig. **38** CONTROL VALVE
(ARM & SWING)

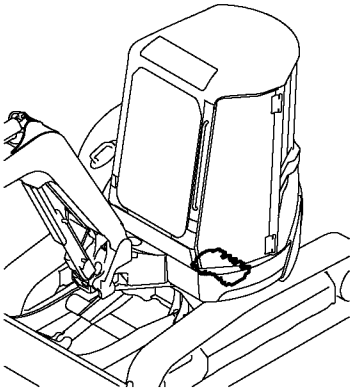


Fig. **42** HYD. OIL TANK

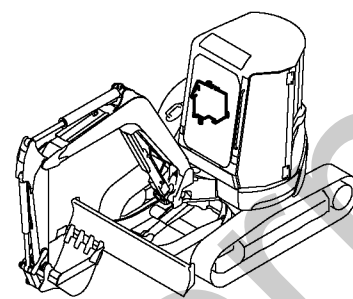


Fig. **46** HYD. OIL PIPING (RETURN)

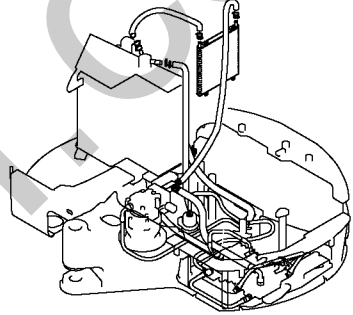


Fig. **39** CONTROL VALVE
(BOOM & BUCKET)

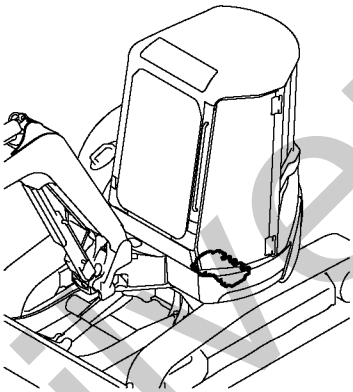


Fig. **43** HYD. OIL PIPING
(TANK-P.-VALVE)

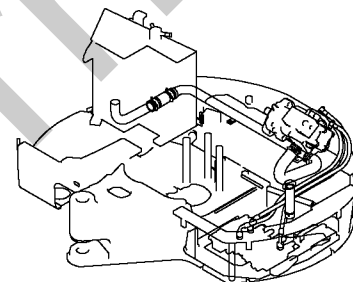


Fig. **47** HYD. OIL PIPING (TRAVEL)

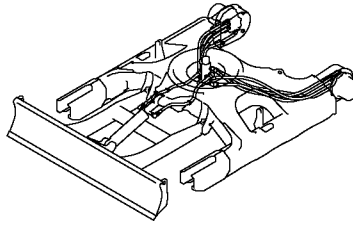


Fig. **40** CONTROL VALVE
(TURNING & BLADE)

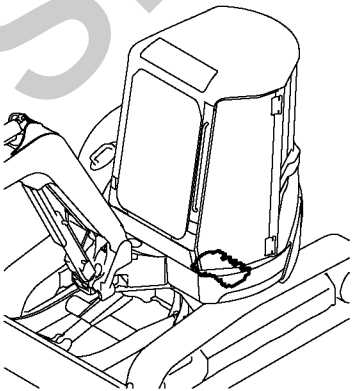


Fig. **44** HYD. OIL PIPING
(PUMP-V.-MOTOR)

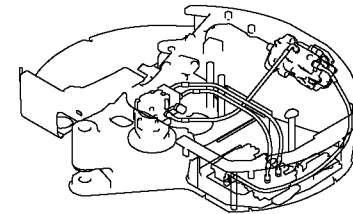


Fig. **48** HYD. OIL PIPING (BOOM)

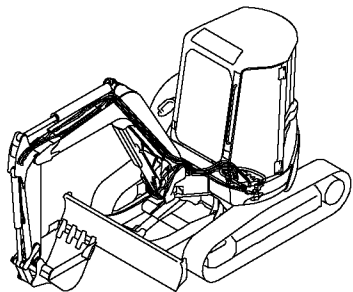


Fig. **49** HYD. OIL PIPING (P. T. O.)

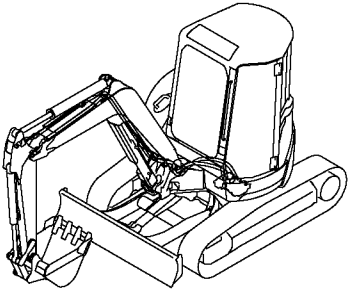


Fig. **53** BOOM & BOOM BRACKET

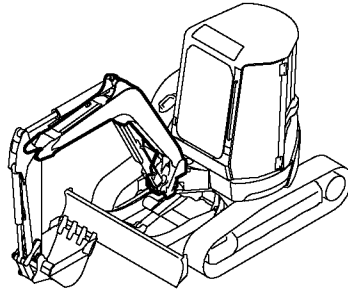


Fig. **50** CONTROL PIPING (PUMP-VALVE-RETURN)

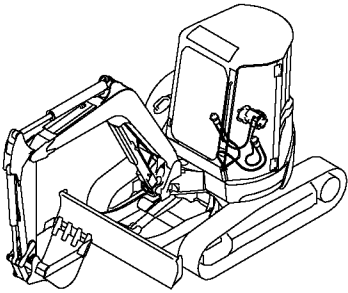


Fig. **54** ARM & BUCKET LINK

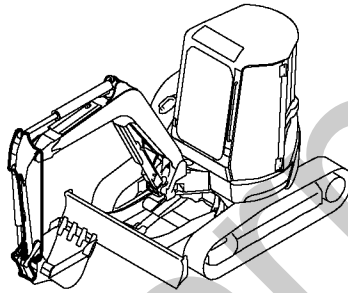


Fig. **51** CONTROL PIPING (VALVE-CONTROL V.)

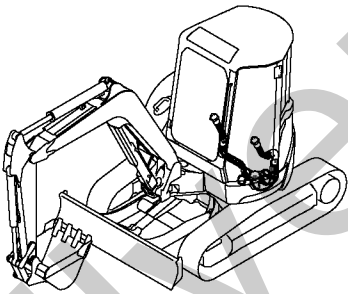


Fig. **55** BUCKET PIN

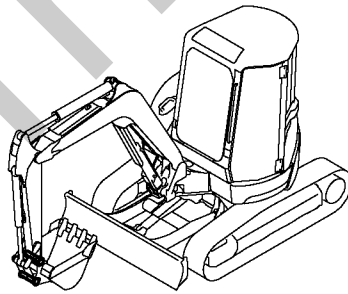


Fig. **52** GREASING

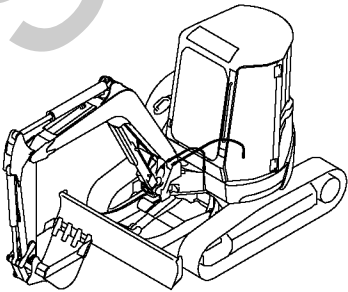
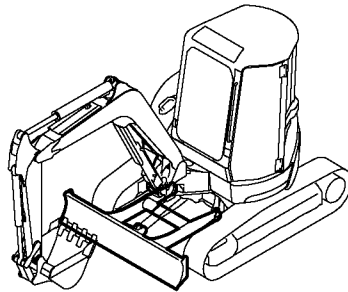
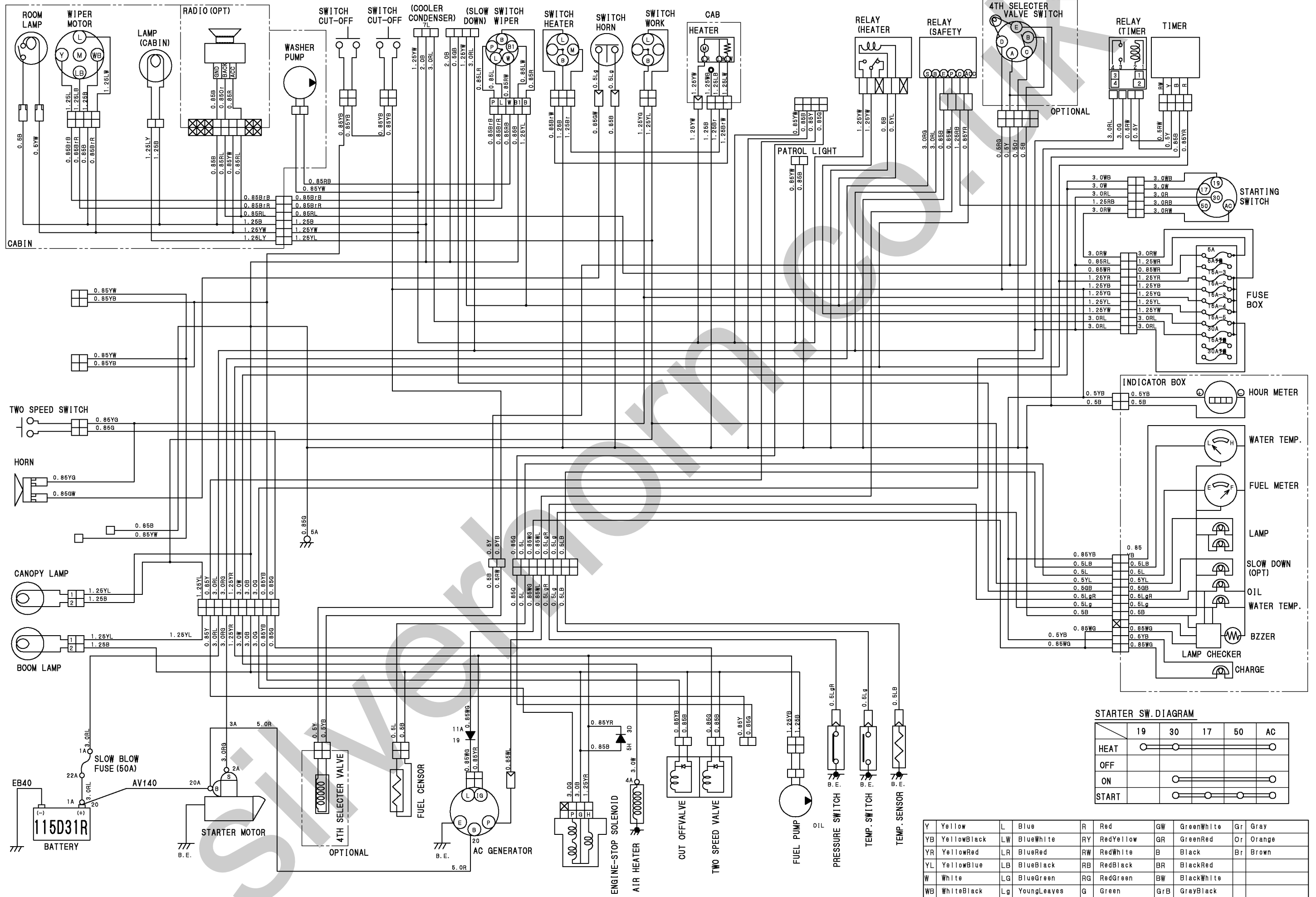


Fig. **56** BLADE



WIRING DIAGRAM



STARTER SW. DIAGRAM

	19	30	17	50	AC
HEAT	○	○			○
OFF					
ON			○	○	
START			○	○	○

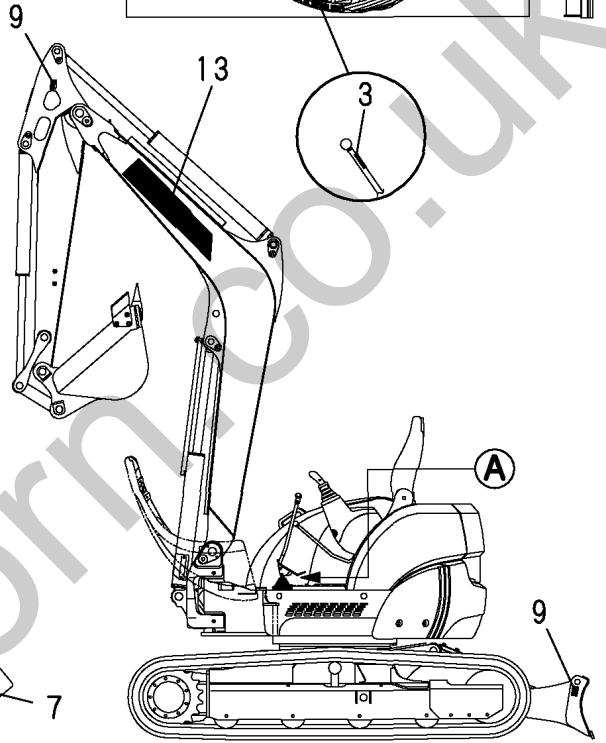
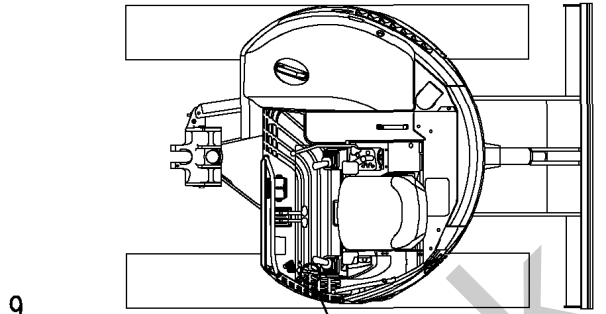
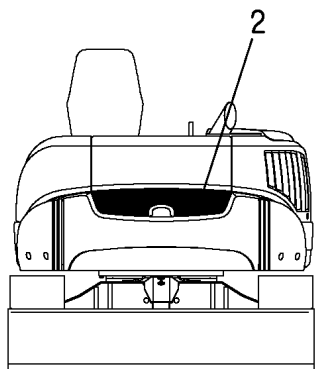
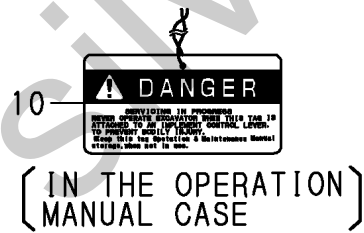
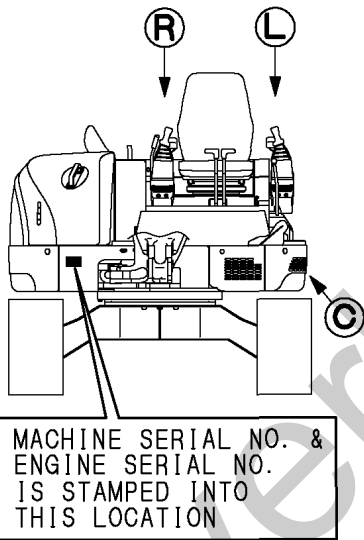
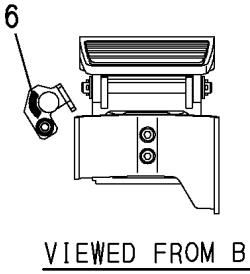
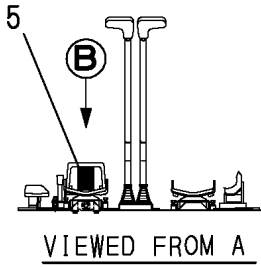
Y	Yellow	L	Blue	R	Red	GW	GreenWhite	Gr	Gray
YB	YellowBlack	LW	BlueWhite	RY	RedYellow	GR	GreenRed	Or	Orange
YR	YellowRed	LR	BlueRed	RW	RedWhite	B	Black	Br	Brown
YL	YellowBlue	LB	BlueBlack	RB	RedBlack	BR	BlackRed		
W	White	LG	BlueGreen	RG	RedGreen	BW	BlackWhite		
WB	WhiteBlack	Lg	YoungLeaves	G	Green	GrB	GrayBlack		

1,1,,772476-03100,, "LABEL ASSY",1,,,,,,,,,,,,,,,,,,,,,
2,2,,172460-03160,, LABEL,1,,,,,,,,,,,,,,,,,,,,,
3,2,,172183-03280,, "LABEL,LOCK",1,,,,,,,,,,,,,,,,,,,,,
4,2,,172458-03220,, "LABEL,ACCELERATOR",1,,,,,,,,,,,,,,,,,,,,,
5,2,,172165-03231,, "LABEL, P.T.O.",1,,,,,,,,,,,,,,,,,,,,,
6,2,,172458-03240,, "LABEL,LOCK",1,,,,,,,,,,,,,,,,,,,,,
7,2,,172438-03300,, LABEL,1,,,,,,,,,,,,,,,,,,,,,
8,2,,172141-03360,, "LABEL, START SWITCH",1,,,,,,,,,,,,,,,,,,,,,
9,2,,172437-03510,, "LABEL,HOOK",4,,,,,,,,,,,,,,,,,,,,,
10,2,,172171-03420,, "CAUTION PLATE ASSY",1,,,,,,,,,,,,,,,,,,,,,
13,2,,172151-03451,, "LABEL, BOOM",2,,,,,,,,,,,,,,,,,,,,,

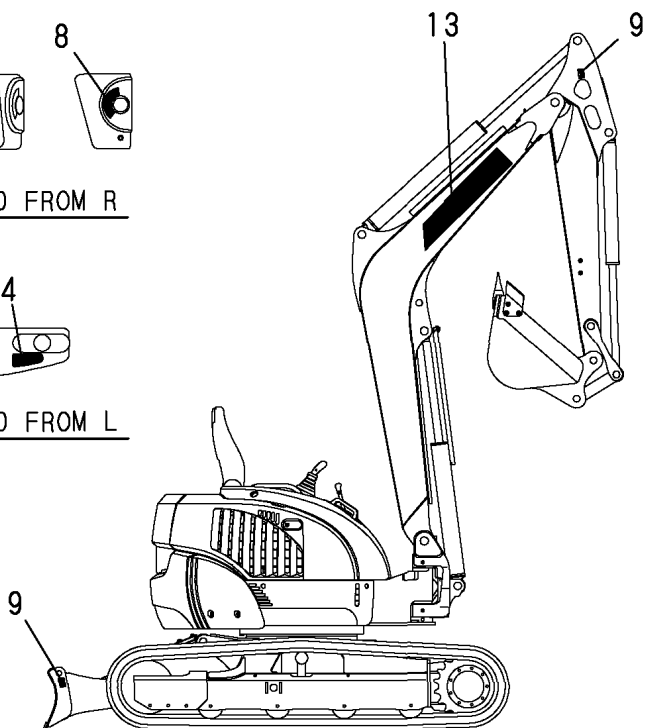
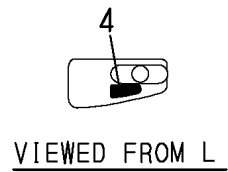
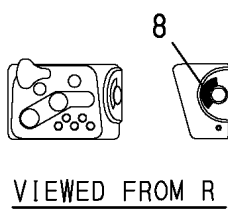
Silverhorn.CO.UK

Fig. 1 LABEL

1 inc.2 ~ 13



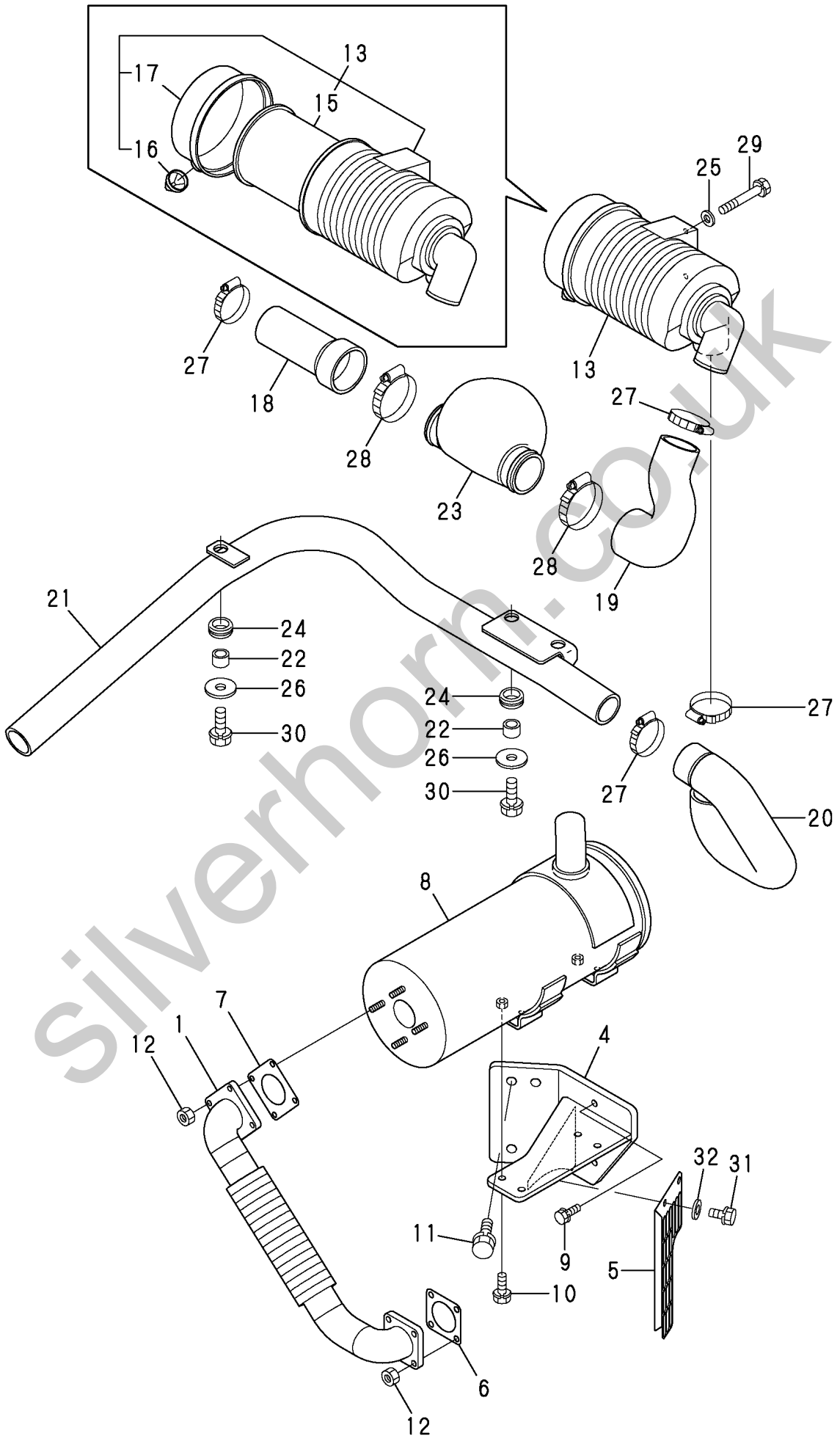
VIEWED FROM C



1,1,,172485-11300,, "TUBE ASSY",1,,,,,,,,,,,,,,,,,,,,,
 4,1,,172485-13400,, BRACKET,1,,,,,,,,,,,,,,,,,,,,,
 5,1,,172486-13970,, COVER,1,,,,,,,,,,,,,,,,,,,,,
 6,1,,124701-11911,, "GASKET, (NON-ASB.)",1,,,,,,,,,,,,,,,,,,,,,
 7,1,,129400-13201,, "GASKET, (NON-ASB.)",1,,,,,,,,,,,,,,,,,,,,,
 8,1,,172486-11880,, SILENCER,1,,,,,,,,,,,,,,,,,,,,,
 9,1,,26013-080202,, "BOLT W/WASHER M8X20",4,,,,,,,,,,,,,,,,,,,,,
 10,1,,26013-100202,, "BOLT W/WASHER M10X20",4,,,,,,,,,,,,,,,,,,,,,
 11,1,,26013-120352,, "BOLT M12X 35",4,,,,,,,,,,,,,,,,,,,,,
 12,1,,26051-080002,, "NUT M 8",8,,,,,,,,,,,,,,,,,,,,,
 13,1,,172486-11500,, AIRCLANER,1,,,,,,,,,,,,,,,,,,,,,
 15,2,,119808-12520,, "ELEMENT, OUTER",1,,,,,,,,,,,,,,,,,,,,,
 16,2,,119808-12540,, "VALVE, UNLOADER",1,,,,,,,,,,,,,,,,,,,,,
 17,2,,119866-12540,, "BODY, AIR CLEANER",1,,,,,,,,,,,,,,,,,,,,,
 18,1,,172485-11500,, HOSE,1,,,,,,,,,,,,,,,,,,,,,
 19,1,,172485-11510,, HOSE,1,,,,,,,,,,,,,,,,,,,,,
 20,1,,172486-11560,, HOSE,1,,,,,,,,,,,,,,,,,,,,,
 21,1,,172486-11581,, "TUBE (GRAY:73)",1,,,,,,,,,,,,,,,,,,,,,
 22,1,,172486-11620,, COLLER,3,,,,,,,,,,,,,,,,,,,,,
 23,1,,119160-12060,, "SILENCER, INLET",1,,,,,,,,,,,,,,,,,,,,,
 24,1,,1A1380-58050,, "GROMMET 16X20X4.5",3,,,,,,,,,,,,,,,,,,,,,
 25,1,,22137-080000,, "WASHER 8, POLISHED",2,,,,,,,,,,,,,,,,,,,,,
 26,1,,22157-100000,, "WASHER 10",3,,,,,,,,,,,,,,,,,,,,,
 27,1,,23000-070000,, "CLAMP 70",4,,,,,,,,,,,,,,,,,,,,,
 28,1,,23000-080000,, "CLAMP 80",2,,,,,,,,,,,,,,,,,,,,,
 29,1,,26013-080502,, "BOLT M 8X 50",2,,,,,,,,,,,,,,,,,,,,,
 30,1,,26013-100252,, "BOLT W/WASHER M10X25",3,,,,,,,,,,,,,,,,,,,,,
 31,1,,26013-080162,, "BOLT W/WASHER M8X16",2,,,,,,,,,,,,,,,,,,,,,
 32,1,,22137-080000,, "WASHER 8, POLISHED",2,,,,,,,,,,,,,,,,,,,,,



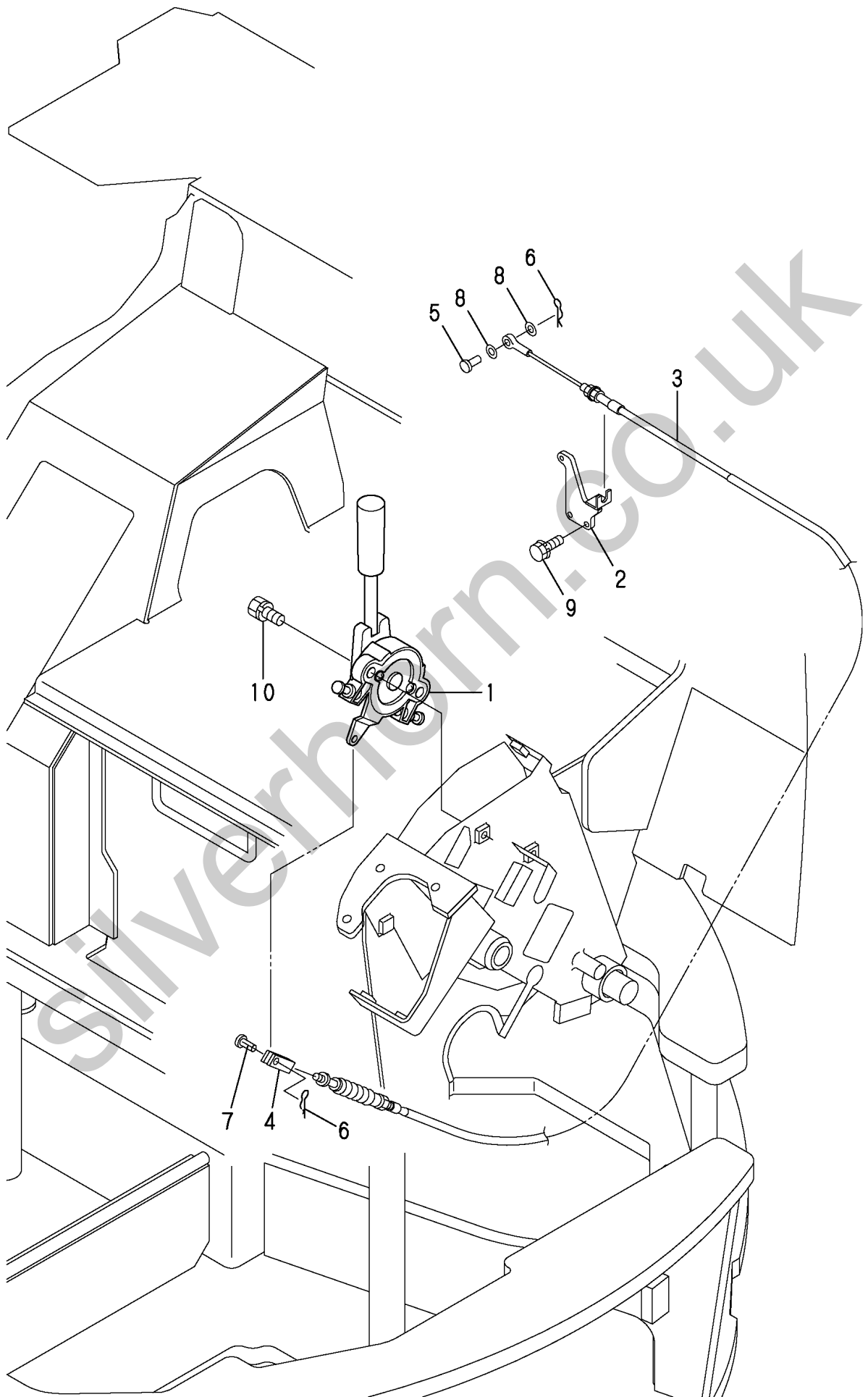
Fig. 2 SILENSER & AIR CLEANER



1,1,,172458-12100,, "LEVER,ACCELERATOR",1,,,,,,,,,,,,,,,,,,,,,
2,1,,172485-12110,, "SUPPORT (GRAY:73)",1,,,,,,,,,,,,,,,,,,,,,
3,1,,172467-12120,, "CABLE, ACCELERATOR",1,,,,,,,,,,,,,,,,,,,,,
4,1,,172159-12270,, "JOINT, CABLE",1,,,,,,,,,,,,,,,,,,,,,
5,1,,172113-12522,, PIN,1,,,,,,,,,,,,,,,,,,,,,
6,1,,172159-42070,, "PIN 6,COME-OFF SNAP",2,,,,,,,,,,,,,,,,,,,,,
7,1,,1A1040-56900,, "PIN 6X 17",1,,,,,,,,,,,,,,,,,,,,,
8,1,,22137-060000,, "WASHER 6, POLISHED",2,,,,,,,,,,,,,,,,,,,,,
9,1,,26013-080202,, "BOLT W/WASHER M8X20",2,,,,,,,,,,,,,,,,,,,,,
10,1,,26013-100252,, "BOLT W/WASHER M10X25",2,,,,,,,,,,,,,,,,,,,,,

Silverhorn.CO.UK

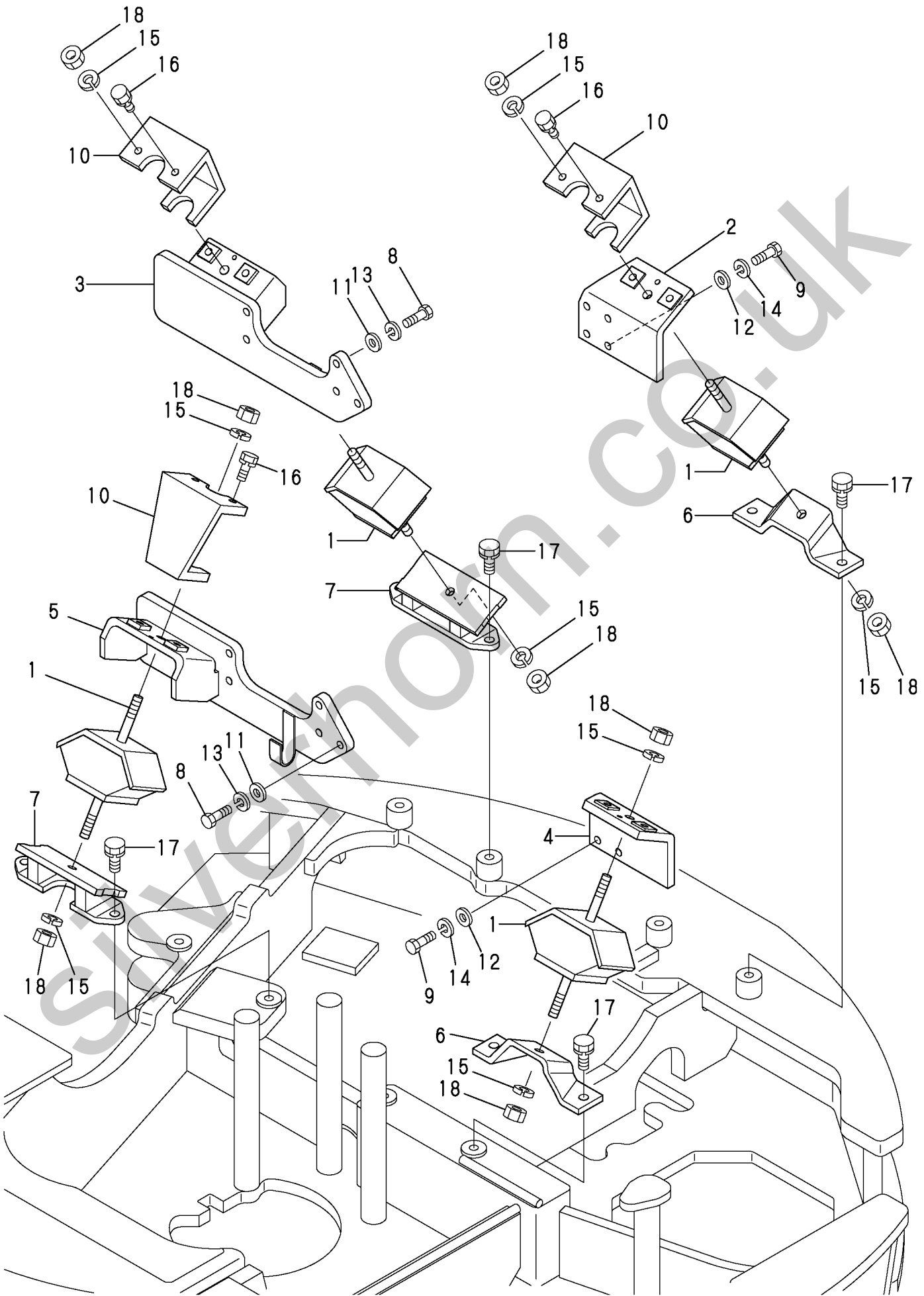
Fig. 3 ACCELERATOR



1,1,,196420-13100,, "ABSORBER,SHOCK",4,,,,,,,,,,,,,,,,,,,,,
2,1,,172174-13140,, BRACKET,1,,,,,,,,,,,,,,,,,,,,,
3,1,,172485-13110,, "BRACKET R (GRAY:73)",1,,,,,,,,,,,,,,,,,,,,,
4,1,,172485-13140,, "BRACKET (GRAY:73)",1,,,,,,,,,,,,,,,,,,,,,
5,1,,172485-13150,, "BRACKET L (GRAY:73)",1,,,,,,,,,,,,,,,,,,,,,
6,1,,172174-13210,, BRACKET,2,,,,,,,,,,,,,,,,,,,,,
7,1,,172174-13221,, "BRACKET (GRAY:73)",2,,,,,,,,,,,,,,,,,,,,,
8,1,,26076-100302,, "BOLT 10.9 10X30",10,,,,,,,,,,,,,,,,,,,,,
9,1,,26076-100302,, "BOLT 10.9 10X30",8,,,,,,,,,,,,,,,,,,,,,
10,1,,172174-13270,, "STOPPER, ENGINE",3,,,,,,,,,,,,,,,,,,,,,
11,1,,172137-46040,, "SEAT, SPRING",10,,,,,,,,,,,,,,,,,,,,,
12,1,,172137-46040,, "SEAT, SPRING",8,,,,,,,,,,,,,,,,,,,,,
13,1,,22217-100000,, "SPRING WASHER 10",10,,,,,,,,,,,,,,,,,,,,,
14,1,,22217-100000,, "SPRING WASHER 10",8,,,,,,,,,,,,,,,,,,,,,
15,1,,22217-120000,, "SPRING WASHER",8,,,,,,,,,,,,,,,,,,,,,
16,1,,26013-100252,, "BOLT W/WASHER M10X25",6,,,,,,,,,,,,,,,,,,,,,
17,1,,26013-120302,, "BOLT W/WASHER M12X30",8,,,,,,,,,,,,,,,,,,,,,
18,1,,26716-120002,, "NUT 12",8,,,,,,,,,,,,,,,,,,,,,

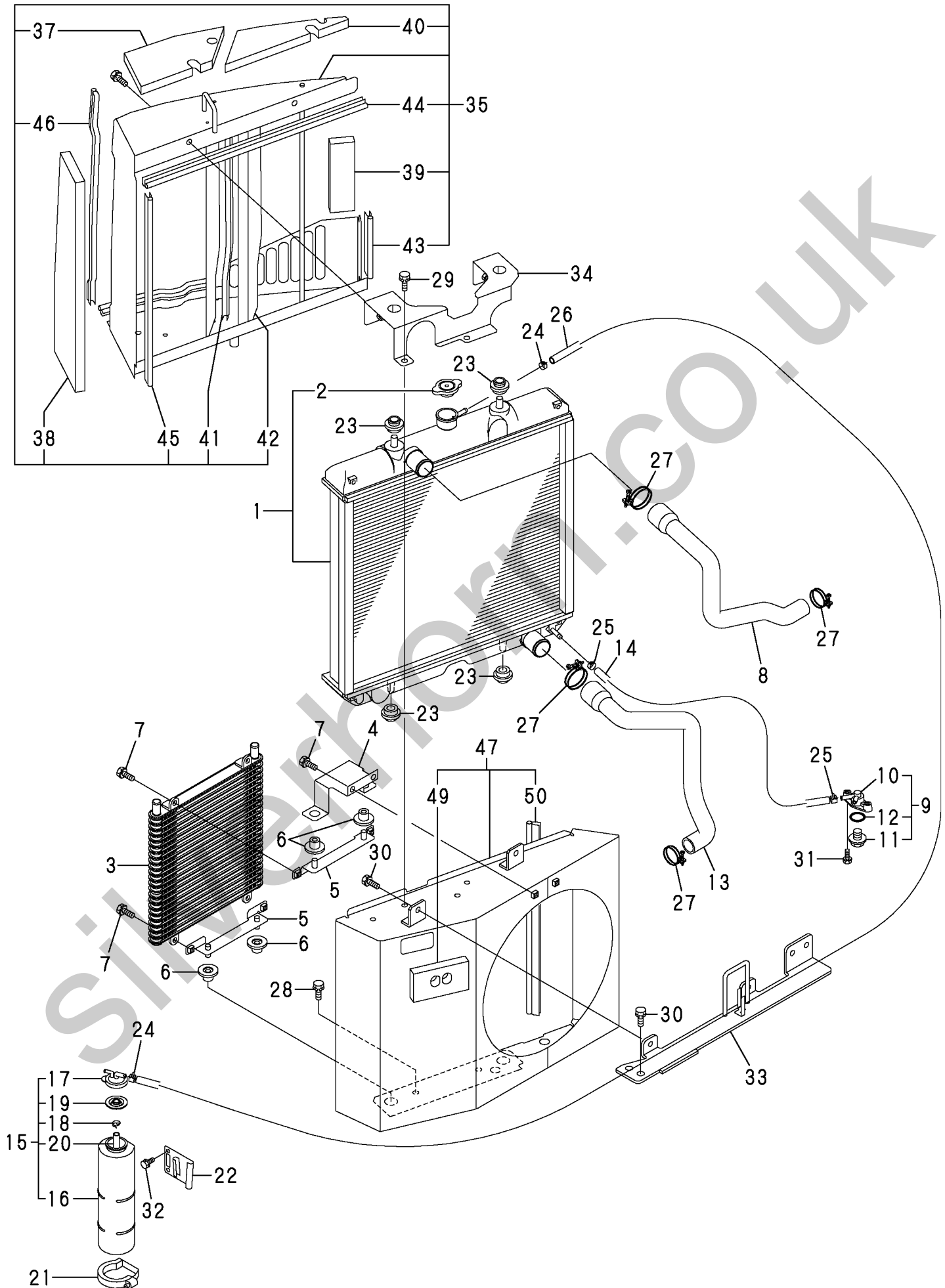
Silverhorn.CO.UK

Fig. 4 ENGINE MOUNT



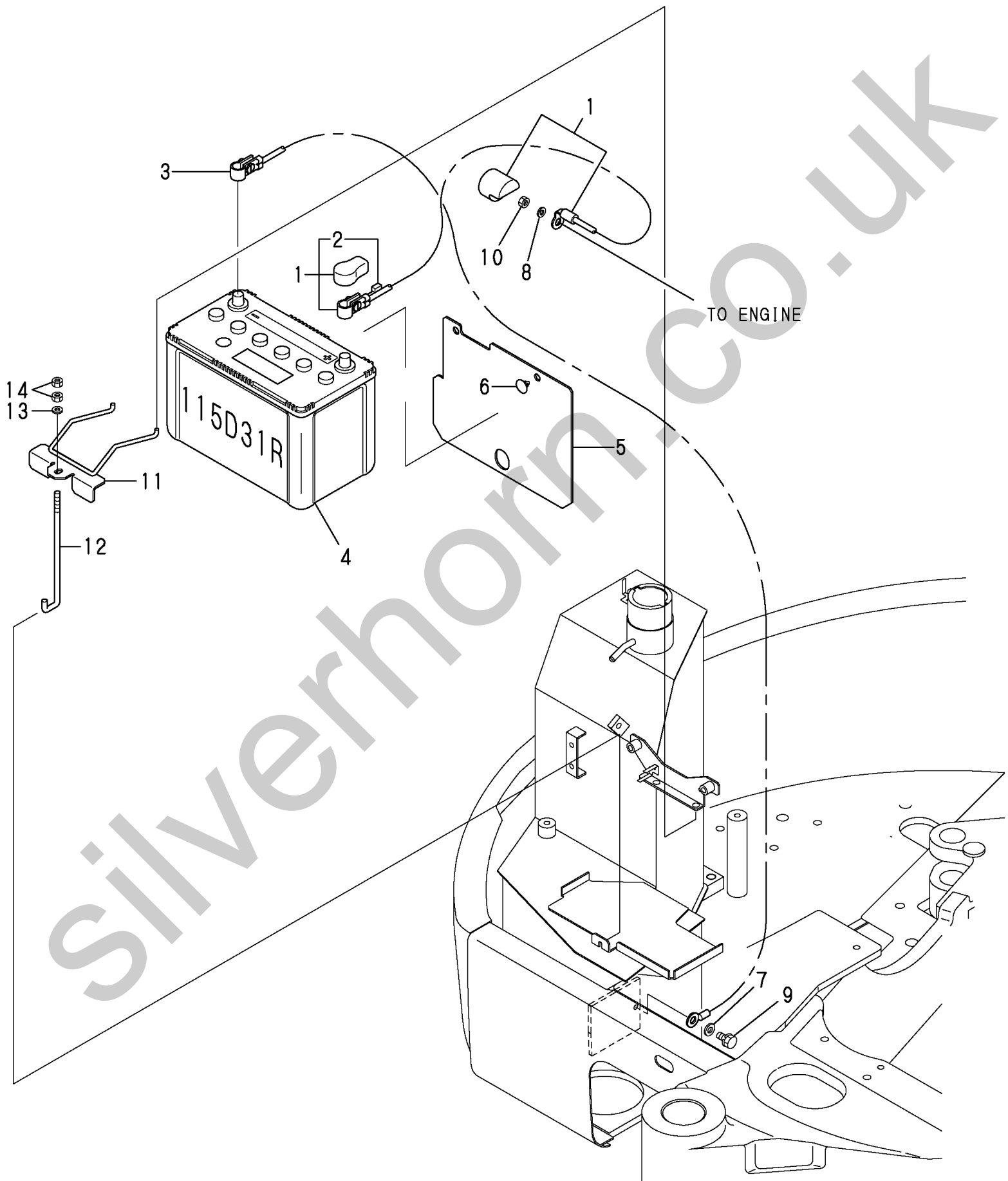
1,1,,172460-13900,, "RADIATOR ASSY",1,,,,,,,,,,,,,,,,,,,,,
2,2,,129107-44590,, "CAP, RADIATOR",1,,,,,,,,,,,,,,,,,,,,,
3,1,,172460-74820,, "COOLER ASSY, OIL",1,,,,,,,,,,,,,,,,,,,,,
4,1,,172486-75750,, "BRACKET O/C",1,,,,,,,,,,,,,,,,,,,,,
5,1,,172486-75711,, "BRACKET A ASSY,O/C",2,,,,,,,,,,,,,,,,,,,,,
6,1,,172446-13330,, "ABSOBER,SHOCK",4,,,,,,,,,,,,,,,,,,,,,
7,1,,26013-100202,, "BOLT W/WASHER M10X20",6,,,,,,,,,,,,,,,,,,,,,
8,1,,172486-13111,, "HOSE UPPER",1,,,,,,,,,,,,,,,,,,,,,
9,1,,172444-13210,, "COCK ASSY,2-WAY",1,,,,,,,,,,,,,,,,,,,,,
10,2,,172444-13220,, "BODY",1,,,,,,,,,,,,,,,,,,,,,
11,2,,121250-49121,, "PLUG",1,,,,,,,,,,,,,,,,,,,,,
12,2,,24311-000160,, "O-RING 1A P-16.0",1,,,,,,,,,,,,,,,,,,,,,
13,1,,172486-13151,, "HOSE LOWER",1,,,,,,,,,,,,,,,,,,,,,
14,1,,172486-13641,, "HOSE 600 ASSY",1,,,,,,,,,,,,,,,,,,,,,
15,1,,171064-44510,, "SUB-TANK ASSY",1,,,,,,,,,,,,,,,,,,,,,
16,2,,171064-44520,, "BODY, SUB-TANK",1,,,,,,,,,,,,,,,,,,,,,
17,2,,121450-44531,, "CAP",1,,,,,,,,,,,,,,,,,,,,,
18,2,,124450-44560,, "CLAMP",1,,,,,,,,,,,,,,,,,,,,,
19,2,,121470-44581,, "GASKET",1,,,,,,,,,,,,,,,,,,,,,
20,2,,23065-070225,, "HOSE 7* 225",1,,,,,,,,,,,,,,,,,,,,,
21,1,,124450-44550,, "CLAMP, SUB-TANK",1,,,,,,,,,,,,,,,,,,,,,
22,1,,121256-44600-2,, "BRACKET (YELLOW:87)",1,,,,,,,,,,,,,,,,,,,,,
23,1,,184015-44680,, "RUBBER, RADIATOR",4,,,,,,,,,,,,,,,,,,,,,
24,1,,23000-013000,, "CLAMP 13",2,,,,,,,,,,,,,,,,,,,,,
25,1,,23000-013000,, "CLAMP 13",2,,,,,,,,,,,,,,,,,,,,,
26,1,,172486-13891,, "HOSE 1260,FUEL",1,,,,,,,,,,,,,,,,,,,,,
27,1,,23001-048000,, "CLIP 48,HOSE",4,,,,,,,,,,,,,,,,,,,,,
28,1,,26013-100252,, "BOLT W/WASHER M10X25",4,,,,,,,,,,,,,,,,,,,,,
29,1,,26013-100252,, "BOLT W/WASHER M10X25",2,,,,,,,,,,,,,,,,,,,,,
30,1,,26013-100252,, "BOLT W/WASHER M10X25",4,,,,,,,,,,,,,,,,,,,,,
31,1,,26013-080202,, "BOLT W/WASHER M8X20",2,,,,,,,,,,,,,,,,,,,,,
32,1,,26022-080162,, "SCREW M 8X 16",2,,,,,,,,,,,,,,,,,,,,,
33,1,,172485-13530,, "BRACKET ASSY",1,,,,,,,,,,,,,,,,,,,,,
34,1,,172485-13560,, "BRACKET ASSY,RAD",1,,,,,,,,,,,,,,,,,,,,,
35,1,,172485-13641,, "DUCT ASSY",1,,,,,,,,,,,,,,,,,,,,,
37,2,,172485-13301,, "EV,DUCT A",1,,,,,,,,,,,,,,,,,,,,,
38,2,,172485-13310,, "EV,DUCT B",1,,,,,,,,,,,,,,,,,,,,,
39,2,,172485-13320,, "EV,DUCT C",1,,,,,,,,,,,,,,,,,,,,,
40,2,,172485-13330,, "EV,DUCT D",1,,,,,,,,,,,,,,,,,,,,,
41,2,,172485-13340,, "EV,DUCT E",1,,,,,,,,,,,,,,,,,,,,,
42,2,,172485-13350,, "EV,DUCT F",1,,,,,,,,,,,,,,,,,,,,,
43,2,,172485-13880,, "SEAL 160",1,,,,,,,,,,,,,,,,,,,,,
44,2,,172485-13720,, "SEAL 530",1,,,,,,,,,,,,,,,,,,,,,
45,2,,172485-13730,, "SEAL 480",1,,,,,,,,,,,,,,,,,,,,,
46,2,,172485-13740,, "SEAL 550",1,,,,,,,,,,,,,,,,,,,,,
47,1,,172485-13750,, "SHURAUD ASSY",1,,,,,,,,,,,,,,,,,,,,,
49,2,,172485-13860,, "SEAL A",1,,,,,,,,,,,,,,,,,,,,,
50,2,,172485-13730,, "SEAL 480",1,,,,,,,,,,,,,,,,,,,,,

Fig. 5 RADIATOR & MOUNT



1,1,,772486-14100,, "FUEL TANK(YELLOW:87)",1,,,,,,,,,,,,,,,,,,,,,
3,2,,104200-11920,, COCK,1,,,,,,,,,,,,,,,,,,,,,,,,,,,,,
4,2,,172162-14200,, GASKET,1,,,,,,,,,,,,,,,,,,,,,,,,,,,,,
5,2,,172162-14180,, "GAUGE UNIT,FUEL",1,,,,,,,,,,,,,,,,,,,,,
6,2,,172142-14421,, "HOSE, FUEL GAUGE",1,,,,,,,,,,,,,,,,,,,,,
7,2,,172141-14260,, FLOAT,1,,,,,,,,,,,,,,,,,,,,,,,,,,,,,
8,2,,172486-14390,, "HOSE,FUEL",1,,,,,,,,,,,,,,,,,,,,,,,,,,,,,
9,2,,172458-14370,, "SOUCER,FUEL OIL",1,,,,,,,,,,,,,,,,,,,,,
10,2,,26116-080702,, "BOLT M 8X 70 PLATED",1,,,,,,,,,,,,,
11,2,,105340-55040,, "CAP, FUEL TANK",1,,,,,,,,,,,,,,,,,,,,,
12,2,,172183-14250,, "FILTER (FUEL",1,,,,,,,,,,,,,,,,,,,,,
13,2,,23010-014000,, "CLAMP 14",2,,,,,,,,,,,,,,,,,,,,,
14,2,,23010-014000,, "CLAMP 14",1,,,,,,,,,,,,,,,,,,,,,
15,2,,26022-050122,, "SCREW M 5X 12",5,,,,,,,,,,,,,
16,1,,172486-14370,, "HOSE,FUEL DRAIN",1,,,,,,,,,,,,,
17,1,,22137-140000,, "WASHER 14,POLISHED",4,,,,,,,,,,,,,
18,1,,22217-140000,, "SPRING WASHER 14",4,,,,,,,,,,,,,
19,1,,23080-013000,, "CLAMP 13,HOSE",1,,,,,,,,,,,,,
20,1,,26116-140452,, "BOLT M14X 45 PLATED",4,,,,,,,,,,,,,
21,1,,172171-14300,, W-CLAMP,1,,,,,,,,,,,,,
22,1,,172486-14610,, "HOSE 2200ASSY",1,,,,,,,,,,,,,
23,1,,172485-14600,, "HOSE 1570 ASSY",1,,,,,,,,,,,,,
24,1,,172486-14650,, "HOSE 260,FUEL",1,,,,,,,,,,,,,
25,1,,172486-14660,, "HOSE 400",1,,,,,,,,,,,,,,,,,,,,,
26,1,,172174-16540,, "CLAMP 10X70",1,,,,,,,,,,,,,
27,1,,129612-52100,, "FUEL PUMP",1,,,,,,,,,,,,,
28,1,,129335-55700,, "SEPARATOR, WATER",1,,,,,,,,,,,,,
29,2,,104200-55321,, "VALVE, TAPER",1,,,,,,,,,,,,,
30,2,,104200-55330,, "SPRING, TAPER VALVE",1,,,,,,,,,,,,,
31,2,,104200-55341,, "HANDLE, COCK",1,,,,,,,,,,,,,
32,2,,124064-55510,, "BOWL, FUEL STRAINER",1,,,,,,,,,,,,,
33,2,,102103-55520,, O-RING,1,,,,,,,,,,,,,
34,2,,110250-55610,, "RING, RETAINING",1,,,,,,,,,,,,,
35,2,,121257-55720,, "SPRING, SCREEN",1,,,,,,,,,,,,,
36,2,,121257-55731,, FLOAT,1,,,,,,,,,,,,,
38,2,,101720-55750,, PLUG,2,,,,,,,,,,,,,
39,2,,104200-55750,, "SCREW M 4",1,,,,,,,,,,,,,
40,2,,171081-55910,, SCREEN,1,,,,,,,,,,,,,
41,2,,23418-060000,, "GASKET 6, NYLON",2,,,,,,,,,,,,,
42,2,,24311-240100,, "O-RING 1A P-10A",1,,,,,,,,,,,,,
43,1,,23000-013000,, "CLAMP 13",8,,,,,,,,,,,,,
44,1,,22137-060000,, "WASHER 6, POLISHED",2,,,,,,,,,,,,,
45,1,,22217-080000,, "SPRING WASHER 8",1,,,,,,,,,,,,,
46,1,,26013-060162,, "BOLT M 6X 16",2,,,,,,,,,,,,,

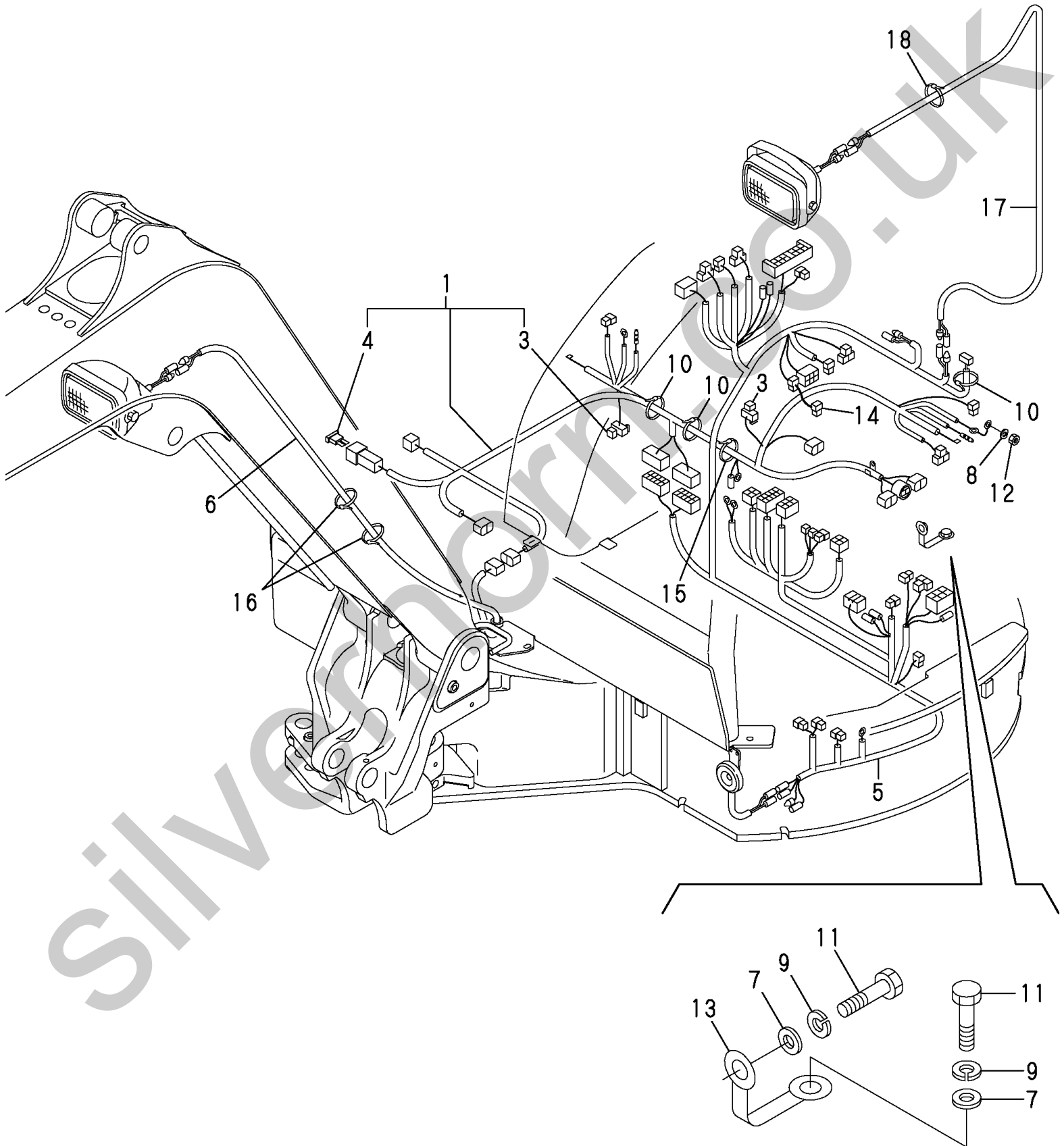
Fig. 7 BATTERY



1,1,,172460-16501,,HARNES,1,,,,,,,,,,,,,
3,2,,172648-16600,,DIODE,2,,,,,,,,,,,,,
4,2,,172458-16550,, "HUSE,SLOW BLOW (50A",1,,,,,,,,,,,,,
5,1,,172467-16520,, "HARNES B ASSY (US)",1,,,,,,,,,,,,,
6,1,,172460-16531,, "HARNES,BOOM LAMP",1,,,,,,,,,,,,,
7,1,,22137-100000,, "WASHER 10,POLISHED",2,,,,,,,,,,,,,
8,1,,22217-050000,, "SPRING WASHER 5",1,,,,,,,,,,,,,
9,1,,22217-100000,, "SPRING WASHER 10",2,,,,,,,,,,,,,
10,1,,194202-56460,,BAND,3,,,,,,,,,,,,,
11,1,,26116-100162,, "BOLT M10X 16 PLATED",2,,,,,,,,,,,,,
12,1,,26716-050002,, "NUT M 5",1,,,,,,,,,,,,,
13,1,,933171-15801,, "WIRE, EARTH",1,,,,,,,,,,,,,
14,1,,172190-16500,,HARNES,1,,,,,,,,,,,,,
15,1,,172183-16560,, "CLIP 400,HOSE",1,,,,,,,,,,,,,
16,1,,172187-78580,,BAND,2,,,,,,,,,,,,,
17,1,,172458-16561,, "HARNES,CANOPY LAMP",1,,,,,,,,,,,,,
18,1,,172126-11510,, "BAND 300",1,,,,,,,,,,,,,

Silverhorn.CO.UK

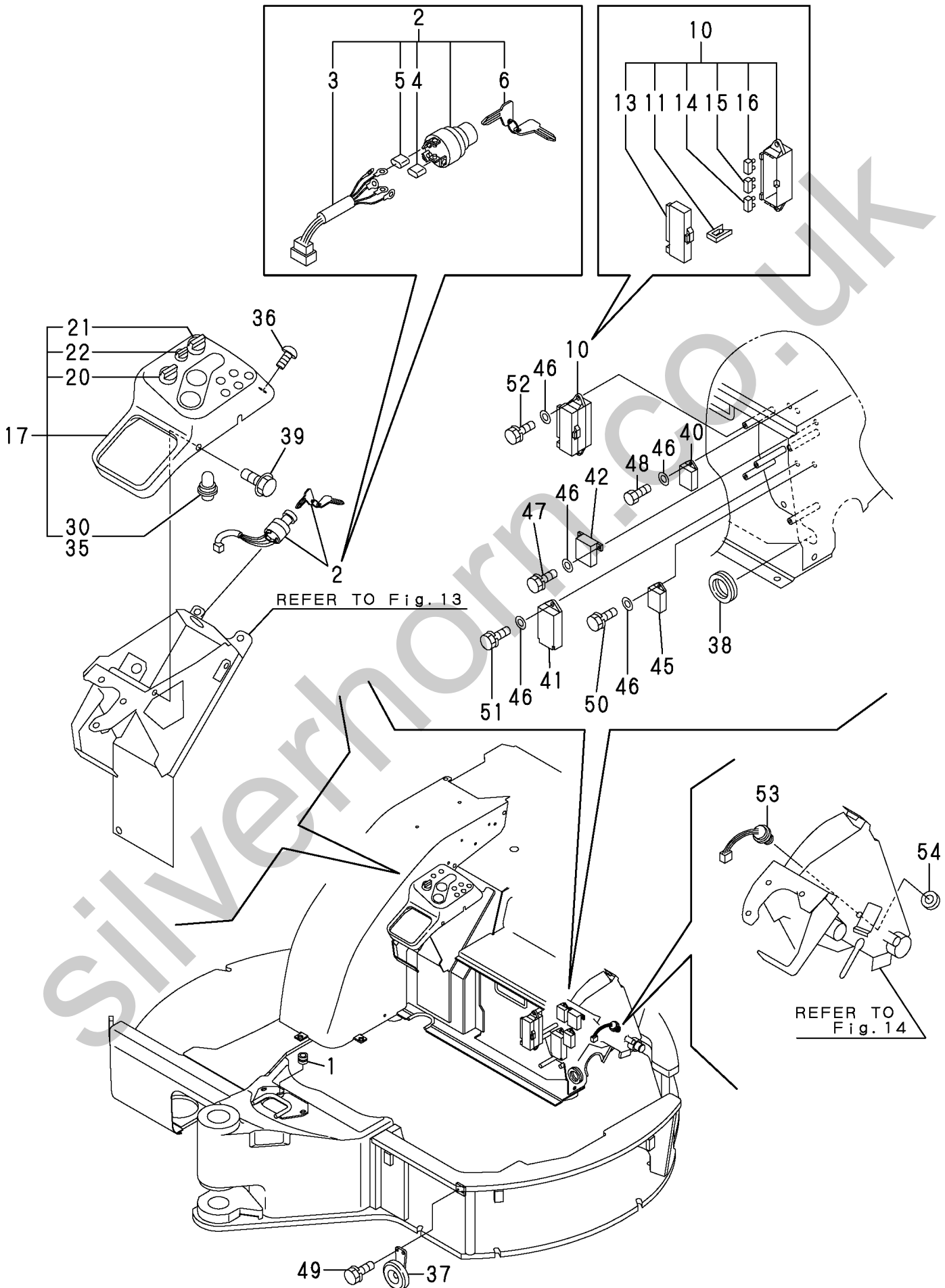
Fig. 8 ELECTRIC PART (WIRING)



1,1,,172187-16560,,GROMMET,1,,,,,,,,,,,,,,,,,,,,,
2,1,,172187-17100,,,"SWITCH, START",1,,,,,,,,,,,,,,,,,,,,,
3,2,,172187-17070,,,"CODE",1,,,,,,,,,,,,,,,,,,,,,
4,2,,172187-17080,,,"COVER M5",3,,,,,,,,,,,,,,,,,,,,,
5,2,,172187-17090,,,"COVER M4",2,,,,,,,,,,,,,,,,,,,,,
6,2,,933110-00301,,,"KEY ASSY",1,,,,,,,,,,,,,,,,,,,,,
10,1,,172187-17200,,,"BOX, FUSE",1,,,,,,,,,,,,,,,,,,,,,
11,2,,172175-17120,,,"PULLER",1,,,,,,,,,,,,,,,,,,,,,
13,2,,172187-17220,,,"COVER",1,,,,,,,,,,,,,,,,,,,,,
14,2,,29420-050000,,,"HUSE",2,,,,,,,,,,,,,,,,,,,,,
15,2,,29420-150000,,,"HUSE",6,,,,,,,,,,,,,,,,,,,,,
16,2,,29420-300000,,,"FUSE B30",2,,,,,,,,,,,,,,,,,,,,,
17,1,,172472-17350,,,"INDICATOR BOX (CABIN",1,,,,,,,,,,,,,,,,,,,,,
20,2,,172187-17280,,,"SWITCH ASSY, LIGHT",1,,,,,,,,,,,,,,,,,,,,,
21,2,,172187-17290,,,"SWITCH, HEATER",1,,,,,,,,,,,,,,,,,,,,,
22,2,,172472-17300,,,"SWITCH ASSY,WASHER",1,,,,,,,,,,,,,,,,,,,,,
30,2,,172187-17380,,,"BULB,T6.5-13.5V-2W",4,,,,,,,,,,,,,,,,,,,,,
35,2,,172187-17480,,,"BULB,T5-14V-2W",2,,,,,,,,,,,,,,,,,,,,,
36,1,,172458-46720,,,"BOLT 8X20",1,,,,,,,,,,,,,,,,,,,,,
37,1,,194151-57100,,,"HORN",1,,,,,,,,,,,,,,,,,,,,,
38,1,,172165-62800,,,"GROMMET 26",1,,,,,,,,,,,,,,,,,,,,,
39,1,,172519-63240,,,"BOLT 8X 16",3,,,,,,,,,,,,,,,,,,,,,
40,1,,119247-77100,,,"RELAY, SAFETY",1,,,,,,,,,,,,,,,,,,,,,
41,1,,129136-77200,,,"RELAY, SAFETY",1,,,,,,,,,,,,,,,,,,,,,
42,1,,119650-77910,,,"RELAY, GROW",1,,,,,,,,,,,,,,,,,,,,,
45,1,,129211-77920,,,"TIMER",1,,,,,,,,,,,,,,,,,,,,,
46,1,,22137-060000,,,"WASHER 6, POLISHED",8,,,,,,,,,,,,,,,,,,,,,
47,1,,26013-060122,,,"BOLT M 6X 12",2,,,,,,,,,,,,,,,,,,,,,
48,1,,26013-060122,,,"BOLT M 6X 12",1,,,,,,,,,,,,,,,,,,,,,
49,1,,26013-060162,,,"BOLT M 6X 16",2,,,,,,,,,,,,,,,,,,,,,
50,1,,26013-060162,,,"BOLT M 6X 16",1,,,,,,,,,,,,,,,,,,,,,
51,1,,26013-060202,,,"BOLT M 6X 20",2,,,,,,,,,,,,,,,,,,,,,
52,1,,26013-060202,,,"BOLT M 6X 20",2,,,,,,,,,,,,,,,,,,,,,
53,1,,194464-52190,,,"SWITCH, SAFETY START",1,,,,,,,,,,,,,,,,,,,,,
54,1,,26776-180002,,,"NUT M18,LOCK",1,,,,,,,,,,,,,,,,,,,,,



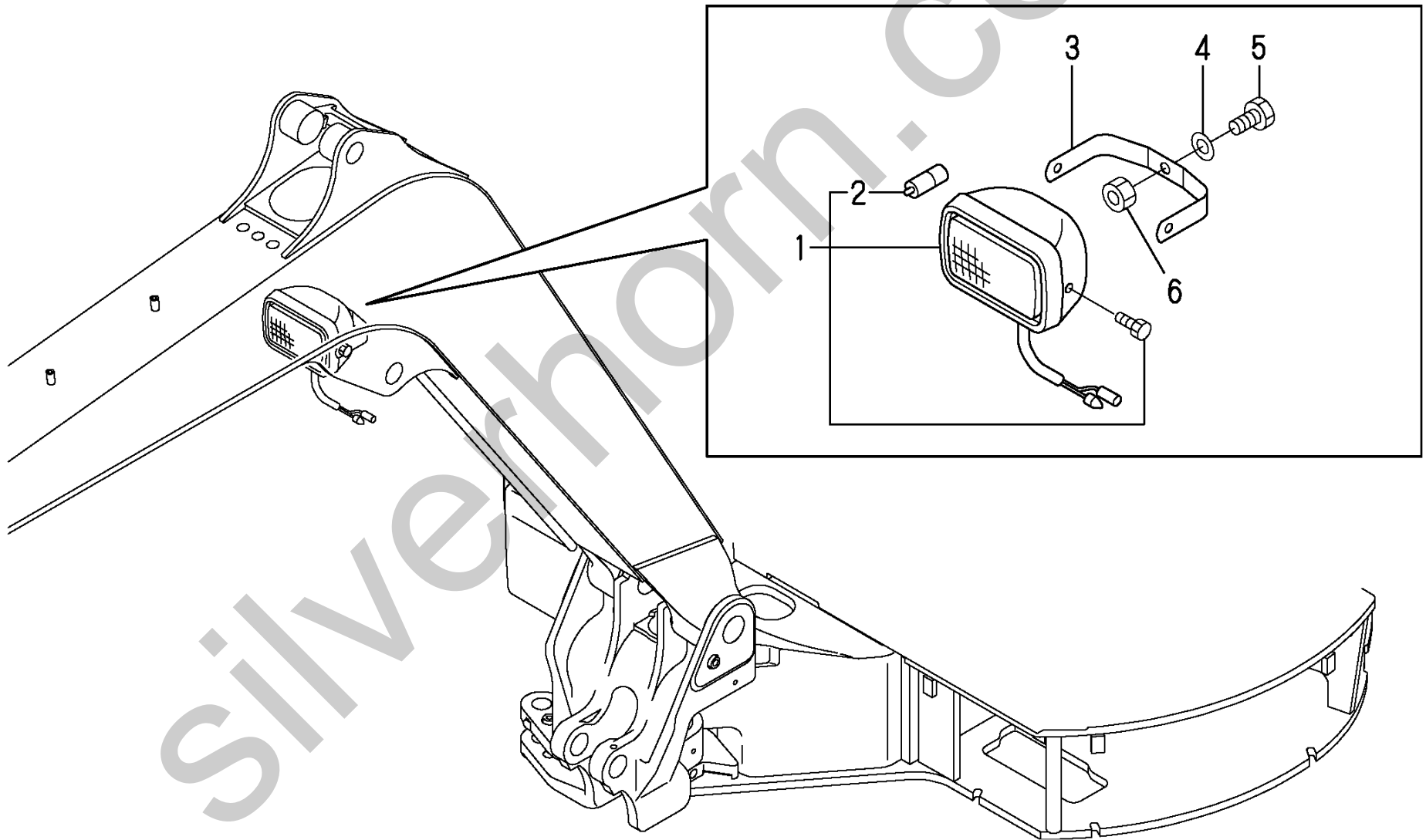
Fig. 9 ELECTRIC PART (EQUIPMENT)



1,1,,172458-17400,, "LAMP 150X95",1,,,,,,,,,,,,,,,,,,,,,
2,2,,172458-17420,, "BULB,12V 55W",1,,,,,,,,,,,,,,,,,,,,,
3,1,,172486-14550,, "STAY,LAMP (GREEN:86)",1,,,,,,,,,,,,,,,,,,,,,
4,1,,22137-100000,, "WASHER 10,POLISHED",1,,,,,,,,,,,,,,,,,,,,,
5,1,,26013-100202,, "BOLT W/WASHER M10X20",1,,,,,,,,,,,,,,,,,,,,,
6,1,,26706-100002,, "NUT M10",1,,,,,,,,,,,,,,,,,,,,,

Silverhorn.CO.UK

Fig. **10** WORK LAMP

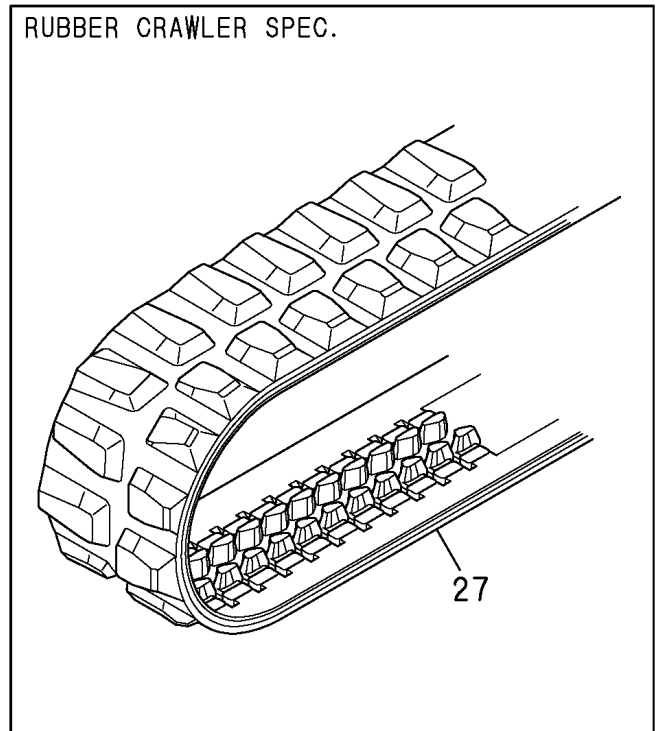
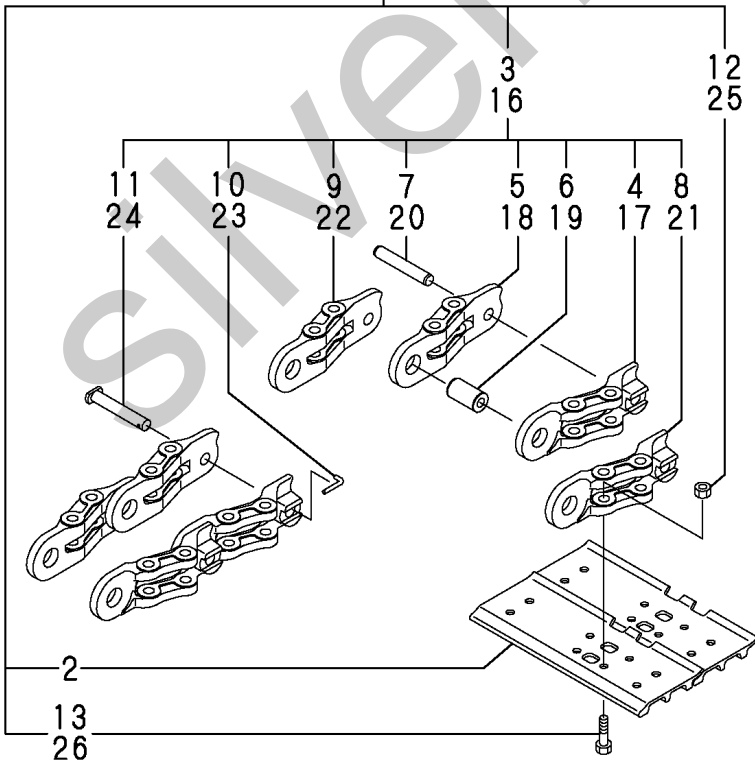
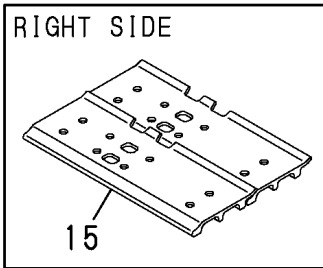
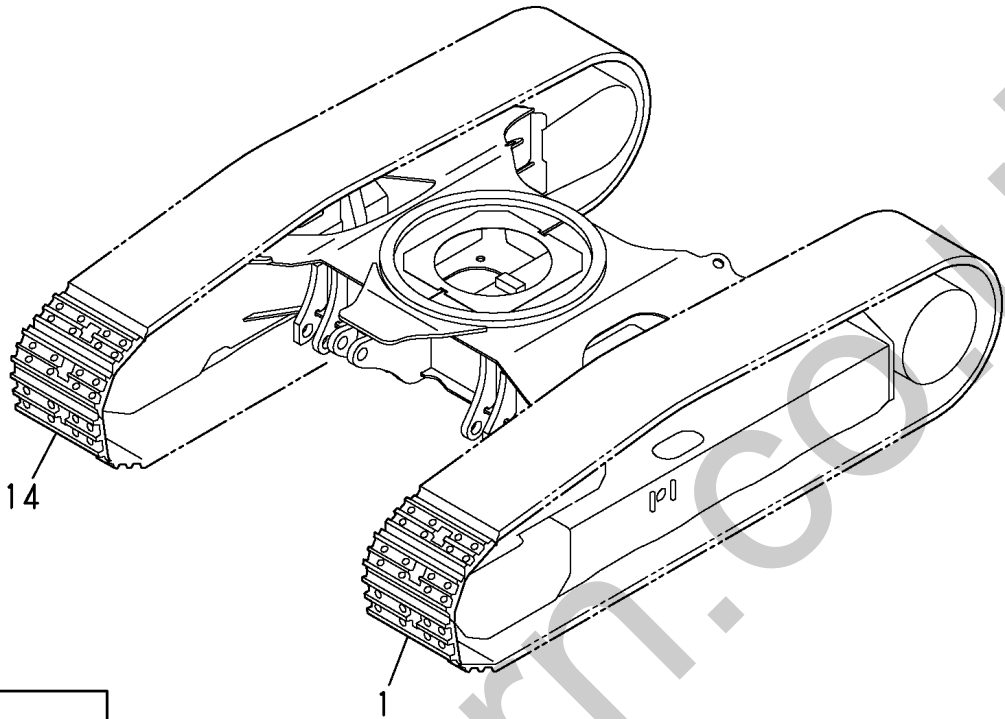


1,1,,172455-29140,, "BOLT 14X35",18,,,,,,,,,,,,,,,,,,,,,
2,1,,172119-35010-4,, "SPROCKET (GREEN:82)",2,,,,,,,,,,,,,,,,,,,,,
3,1,,22217-140000,, "SPRING WASHER 14",18,,,,,,,,,,,,,,,,,,,,,
4,1,,172486-37060,, "IDLER (GREEN:82)",2,,,,,,,,,,,,,,,,,,,,,
5,1,,172486-37050,, "IDLER R A",2,,,,,,,,,1,,,,,,,,,,,,,
6,2,,172460-37170-2,, IDLER(340,2,,,,,,,,,,,,,,,,,,,,,
8,3,,172124-37120,, "BUSH 40",4,,,,,,,,,,,,,,,,,,,,,
9,2,,172460-37100-2,, "IDLER,R(344(GREEN:82",2,,,,,,,,,1,,,,,,,,,,,,,
11,3,,172124-37120,, "BUSH 40",4,,,,,,,,,,,,,,,,,,,,,
12,2,,172460-37120,, SEAL,4,,,,,,,,,,,,,,,,,,,,,
13,2,,172460-37130-2,, "SHAFT, IDLER(GREEN:82",2,,,,,,,,,,,,,,,,,,,,,
14,2,,172460-37150-2,, "COVER (GREEN:82)",2,,,,,,,,,,,,,,,,,,,,,
15,2,,194630-42120,, "PLUG PT1/8",2,,,,,,,,,,,,,,,,,,,,,
16,2,,22242-000350,, "CIRCLIP 35",2,,,,,,,,,,,,,,,,,,,,,
17,2,,24321-000400,, "O-RING 1A G-40.0",2,,,,,,,,,,,,,,,,,,,,,
18,1,,172486-37290,, "ROLLER ASSY, TRUCK",8,,,,,,,,,,,,,,,,,,,,,
19,2,,172458-37120,, "FLOATING SEAL",16,,,,,,,,,,,,,,,,,,,,,
20,2,,172423-37300-2,, "ROLLER (GREEN:82)",8,,,,,,,,,,,,,,,,,,,,,
22,3,,172423-37370,, BUSH,16,,,,,,,,,,,,,,,,,,,,,
23,2,,172423-37330-1,, "SHAFT (GREEN:82)",8,,,,,,,,,,,,,,,,,,,,,
26,2,,172423-37360-1,, "COVER, SEAL(GREEN:82",8,,,,,,,,,,,,,,,,,,,,,
27,2,,22242-000300,, "CIRCLIP 30",8,,,,,,,,,,,,,,,,,,,,,
28,2,,24315-000290,, "O-RING 1B P-29.0",8,,,,,,,,,,,,,,,,,,,,,
29,2,,933171-13691,, "PLUG PT1/8",8,,,,,,,,,,,,,,,,,,,,,
30,1,,172162-82980,, "BOLT M16X 35",16,,,,,,,,,,,,,,,,,,,,,
31,1,,22217-160000,, "SPRING WASHER 16",16,,,,,,,,,,,,,,,,,,,,,
32,1,,172478-37500-1,, "ROLLER,CARRIER (82)",2,,,,,,,,,,,,,,,,,,,,,
34,2,,172478-37520,, "SHAFT,CARRIER ROLLER",2,,,,,,,,,,,,,,,,,,,,,
35,2,,172478-37550,, "WASHER, CARRIER",2,,,,,,,,,,,,,,,,,,,,,
36,2,,172478-37540,, "CAP, CARRIER ROLLER",2,,,,,,,,,,,,,,,,,,,,,
37,2,,172478-37530,, "SEAL,CARRIER ROLLER",2,,,,,,,,,,,,,,,,,,,,,
38,2,,22242-000300,, "CIRCLIP 30",2,,,,,,,,,,,,,,,,,,,,,
39,2,,22252-000621,, "RING 62",2,,,,,,,,,,,,,,,,,,,,,
40,2,,24105-062064,, "BALL BEARING",4,,,,,,,,,,,,,,,,,,,,,
41,2,,933171-13691,, "PLUG PT1/8",2,,,,,,,,,,,,,,,,,,,,,
42,1,,22217-160000,, "SPRING WASHER 16",2,,,,,,,,,,,,,,,,,,,,,
43,1,,26116-160702,, "BOLT M16X 70 PLATED",2,,,,,,,,,,,,,,,,,,,,,
44,1,,26716-160002,, "NUT M16",2,,,,,,,,,,,,,,,,,,,,,
45,1,,172460-37700,, SPRING,2,,,,,,,,,,,,,,,,,,,,,
46,1,,172122-37710,, "HOLDER, ADJUSTER",2,,,,,,,,,,,,,,,,,,,,,
47,1,,172486-37070,, "ADJUST CYL ASSY",2,,,,,,,,,,,,,,,,,,,,,
48,2,,172122-37752,, "ADJUST CYLINDER",2,,,,,,,,,,,,,,,,,,,,,
49,3,,172122-37782,, "ADJUST TUBE",2,,,,,,,,,,,,,,,,,,,,,
50,3,,172122-37810,, PISTON,2,,,,,,,,,,,,,,,,,,,,,
51,3,,172122-37820,, "ADJUST SEAL SET",2,,,,,,,,,,,,,,,,,,,,,
52,2,,172122-37844,, "VALVE ASSY, NIPPLE",2,,,,,,,,,,,,,,,,,,,,,
53,3,,24315-000140,, "O-RING 1B P-14.0",2,,,,,,,,,,,,,,,,,,,,,
54,3,,24761-020000,, "NIPPLE PT1/8,GREASE",2,,,,,,,,,,,,,,,,,,,,,
55,1,,26013-120402,, "BOLT M12X 40",8,,,,,,,,,,,,,,,,,,,,,

1,1,,172460-38400,, "TRACK SHOE 350L ASSY",1,,,,,,,,,,,,,
2,2,,172460-38410,, "PLATE, SHOE 350L",40,,,,,,,,,,,,,
3,2,,172460-38450,, "LINK ASSY",1,,,,,,,,,,,,,
4,3,,172460-38460,, "LINK(L),TRACK",39,,,,,,,,,,,,,
5,3,,172460-38470,, "LINK(R),TRACK",39,,,,,,,,,,,,,
6,3,,172460-38520,, BUSH,40,,,,,,,,,,,,,
7,3,,172460-38500,, "PIN,TRACK",39,,,,,,,,,,,,,
8,3,,172460-38480,, "LINK(L),MASTER",1,,,,,,,,,,,,,
9,3,,172460-38490,, "LINK(R),MASTER",1,,,,,,,,,,,,,
10,3,,172460-38530,, "PIN5X45,LOCK",1,,,,,,,,,,,,,
11,3,,172460-38510,, "PIN,MASTER",1,,,,,,,,,,,,,
12,2,,172460-38560,, "NUT, SHOE",160,,,,,,,,,,,,,
13,2,,172460-38550,, "BOLT, SHOE",160,,,,,,,,,,,,,
14,1,,172460-38420,, "TRACK SHOE 350R ASSY",1,,,,,,,,,,,,,
15,2,,172460-38430,, "PLATE, SHOE 350R",40,,,,,,,,,,,,,
16,2,,172460-38450,, "LINK ASSY",1,,,,,,,,,,,,,
17,3,,172460-38460,, "LINK(L),TRACK",39,,,,,,,,,,,,,
18,3,,172460-38470,, "LINK(R),TRACK",39,,,,,,,,,,,,,
19,3,,172460-38520,, BUSH,40,,,,,,,,,,,,,
20,3,,172460-38500,, "PIN,TRACK",39,,,,,,,,,,,,,
21,3,,172460-38480,, "LINK(L),MASTER",1,,,,,,,,,,,,,
22,3,,172460-38490,, "LINK(R),MASTER",1,,,,,,,,,,,,,
23,3,,172460-38530,, "PIN5X45,LOCK",1,,,,,,,,,,,,,
24,3,,172460-38510,, "PIN,MASTER",1,,,,,,,,,,,,,
25,2,,172460-38560,, "NUT, SHOE",160,,,,,,,,,,,,,
26,2,,172460-38550,, "BOLT, SHOE",160,,,,,,,,,,,,,
27,1,,172423-38603,, "CRAWLER, RUBBER",2,,,,,,,,,1,,,,,

Silverhorn.CO.UK

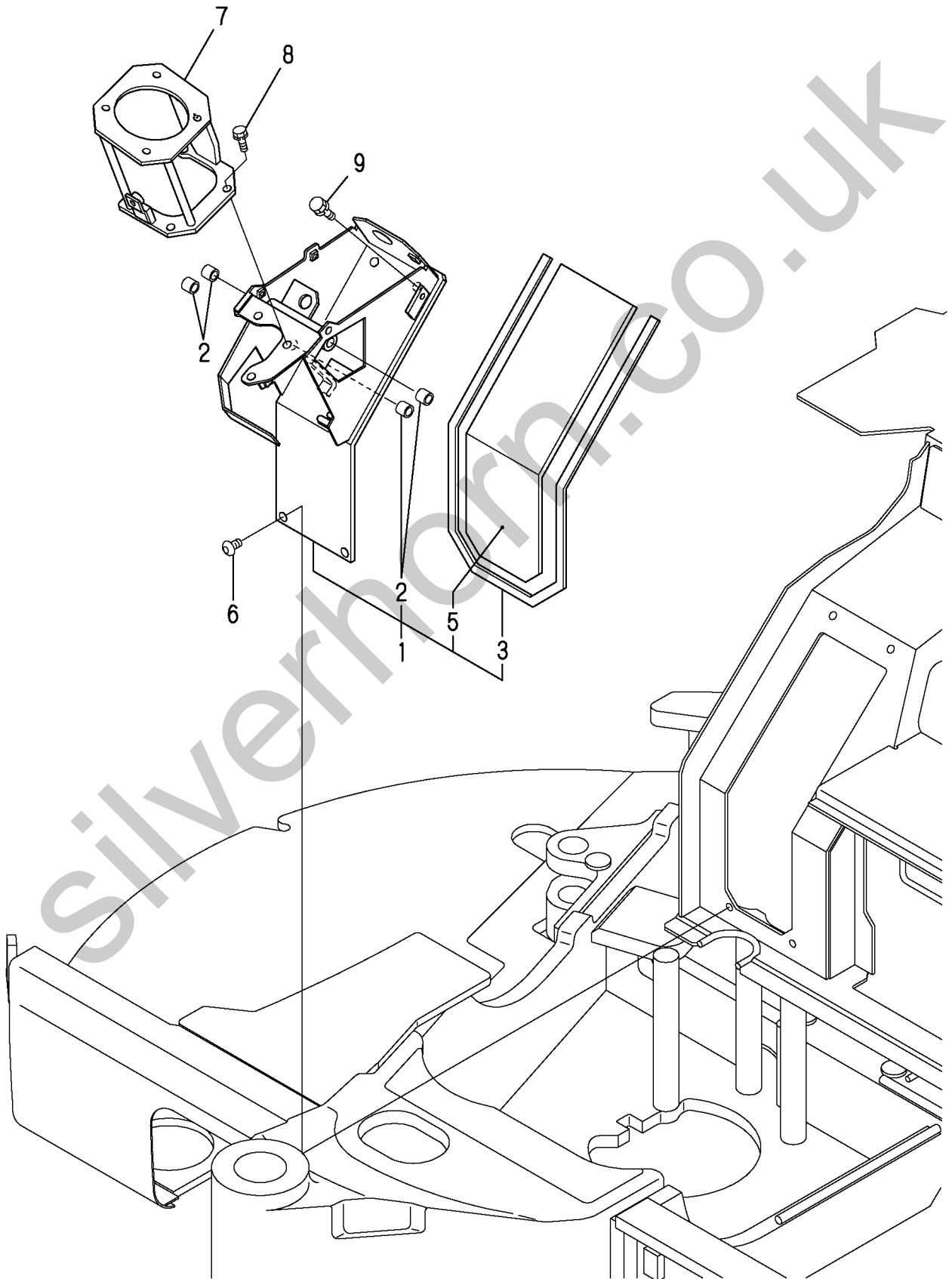
Fig. 12 CRAWLER



1,1,,172485-45550,, "LEVER STAND R(GRAY73",1,,,,,,,,,,,,,,,,,,,,,
2,2,,172161-41360,, "BUSH 1415",4,,,,,,,,,,,,,,,,,,,,,
3,2,,172485-45560,, "SEAL,LEVER STAND",1,,,,,,,,,,,,,,,,,,,,,
5,2,,172485-45570,, "SEAL,LEVER STAND R",1,,,,,,,,,,,,,,,,,,,,,
6,1,,172485-45910,, "BOLT M10X20",2,,,,,,,,,,,,,,,,,,,,,
7,1,,172472-46210,, "BRACKET ASSY,R (73)",1,,,,,,,,,,,,,,,,,,,,,
8,1,,26013-080202,, "BOLT W/WASHER M8X20",3,,,,,,,,,,,,,,,,,,,,,
9,1,,26013-100202,, "BOLT W/WASHER M10X20",2,,,,,,,,,,,,,,,,,,,,,

Silverhorn.CO.UK

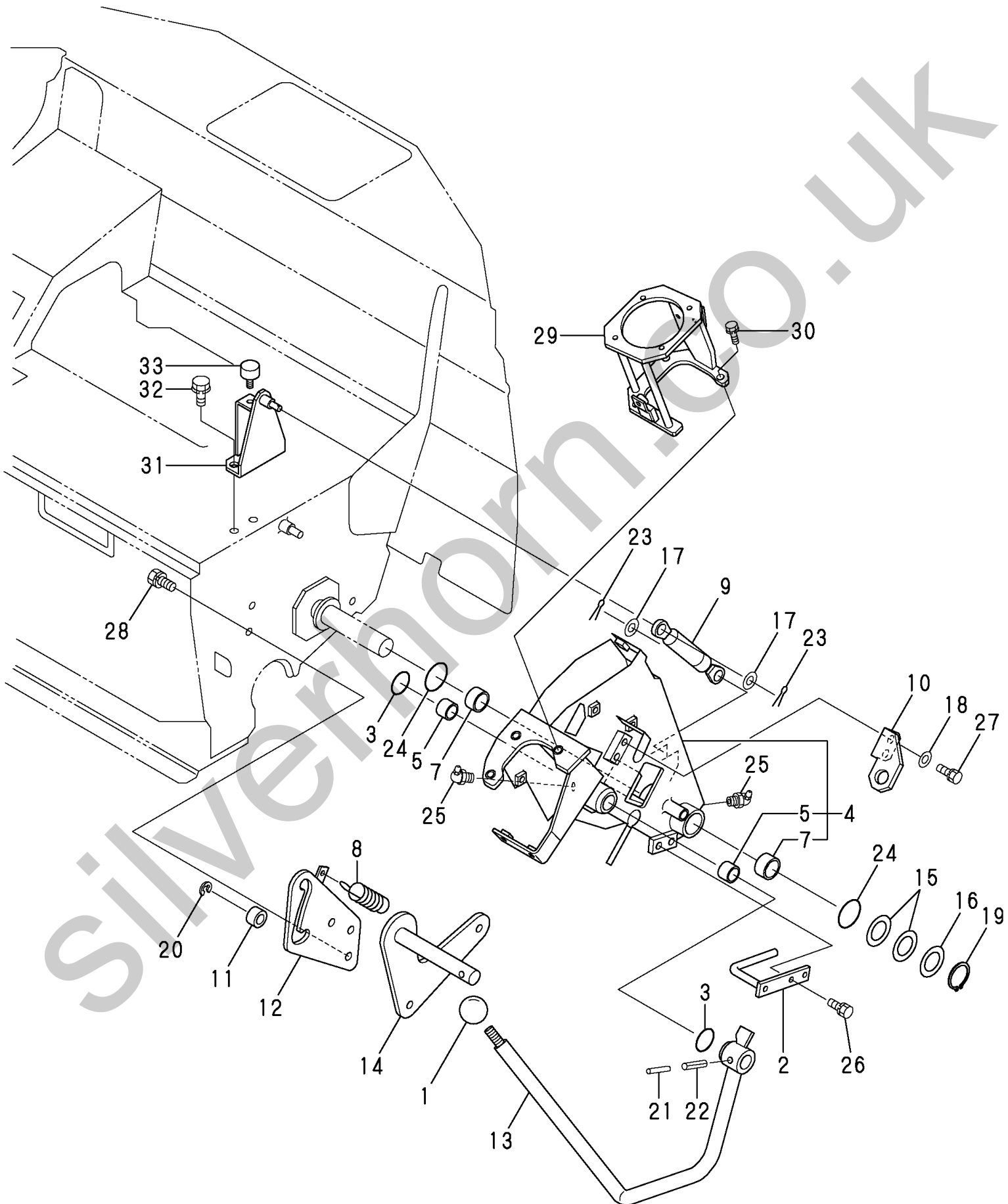
Fig. 13 CONTROL EQUIP. (LOCK LEVER) R



1,1,,1D4070-23580,, "GRIP,RED ROUND",1,,,,,,,,,,,,,,,,,,,,,
2,1,,172486-45540,, "GUIDE L,HOSE(GRAY:73",1,,,,,,,,,,,,,,,,,,,,,
3,1,,172124-46200,, "O-RING 27X5.7",2,,,,,,,,,,,,,,,,,,,,,
4,1,,172485-45400,, "LEVER STAND L(GRAY73",1,,,,,,,,,,,,,,,,,,,,,
5,2,,172161-41370,, "BUSH 2015",2,,,,,,,,,,,,,,,,,,,,,
7,2,,24550-025150,, "BUSH 25X15",2,,,,,,,,,,,,,,,,,,,,,
8,1,,172162-46690,, SPRING,1,,,,,,,,,,,,,,,,,,,,,
9,1,,172455-46890,, "SPRING,GAS",1,,,,,,,,,,,,,,,,,,,,,
10,1,,172485-45810,, "BRACKET,SWITCH",1,,,,,,,,,,,,,,,,,,,,,
11,1,,172165-47550,, BUSH,1,,,,,,,,,,,,,,,,,,,,,
12,1,,172485-45820,, "LOCK GUIDE L(GRAY:73",1,,,,,,,,,,,,,,,,,,,,,
13,1,,172485-45850,, "LOCK LEVER L US (72)",1,,,,,,,,,,,,,,,,,,,,,
14,1,,172485-45880,, "ROD,SPRING (GRAY:73)",1,,,,,,,,,,,,,,,,,,,,,
15,1,,172165-47980,, "SHIM 42X25.5X0.5",2,,,,,,,,,,,,,,,,,,,,,
16,1,,172165-47990,, "WASHER 25.5X42",1,,,,,,,,,,,,,,,,,,,,,
17,1,,22137-080000,, "WASHER 8, POLISHED",2,,,,,,,,,,,,,,,,,,,,,
18,1,,22137-080000,, "WASHER 8, POLISHED",2,,,,,,,,,,,,,,,,,,,,,
19,1,,22242-000250,, "CIRCLIP 25S",1,,,,,,,,,,,,,,,,,,,,,
20,1,,22272-000070,, "CIRCLIP E- 7",1,,,,,,,,,,,,,,,,,,,,,
21,1,,22351-035040,, "SPRING PIN 3.5X40",1,,,,,,,,,,,,,,,,,,,,,
22,1,,22351-060040,, "SPRING PIN 6X40",1,,,,,,,,,,,,,,,,,,,,,
23,1,,22417-200200,, "COTTER PIN 2.0X20",2,,,,,,,,,,,,,,,,,,,,,
24,1,,24311-000340,, "O-RING 1A P-34.0",2,,,,,,,,,,,,,,,,,,,,,
25,1,,24761-050000,, "NIPPLE C,GREASE",2,,,,,,,,,,,,,,,,,,,,,
26,1,,26013-080162,, "BOLT W/WASHER M8X16",2,,,,,,,,,,,,,,,,,,,,,
27,1,,26013-080202,, "BOLT W/WASHER M8X20",2,,,,,,,,,,,,,,,,,,,,,
28,1,,26013-100202,, "BOLT W/WASHER M10X20",3,,,,,,,,,,,,,,,,,,,,,
29,1,,172472-46220,, "BRACKET ASSY,L (73)",1,,,,,,,,,,,,,,,,,,,,,
30,1,,26013-080202,, "BOLT W/WASHER M8X20",3,,,,,,,,,,,,,,,,,,,,,
31,1,,172485-45920,, "BRACKET ASSY,DAMPER",1,,,,,,,,,,,,,,,,,,,,,
32,1,,26013-100202,, "BOLT W/WASHER M10X20",2,,,,,,,,,,,,,,,,,,,,,
33,1,,172176-67150,, RUBBER,1,,,,,,,,,,,,,,,,,,,,,



Fig. 14 CONTROL EQUIP. (LOCK LEVER) L



1,1,,172141-41340,,BOOTS,2,,,,,,,,,,,,,,,,,,,,,
2,1,,172485-45100,, "LEVER L,TRACK(GRAY72",1,,,,,,,,,,,,,,,,,,,,,
3,2,,172161-41370,, "BUSH 2015",2,,,,,,,,,,,,,,,,,,,,,
5,1,,933110-54100,, "PIN 4.75X14",2,,,,,,,,,,,,,,,,,,,,,
6,1,,172187-45870,, "GRIP L, DRIVE",1,,,,,,,,,,,,,,,,,,,,,
7,1,,172187-45880,, "GRIP R, DRIVE",1,,,,,,,,,,,,,,,,,,,,,
8,1,,22117-040000,, "WASHER 4",2,,,,,,,,,,,,,,,,,,,,,
9,1,,26116-100404,, "BOLT M10X 40 PLATED",2,,,,,,,,,,,,,,,,,,,,,
10,1,,26116-100604,, "BOLT M10X 60 PLATED",2,,,,,,,,,,,,,,,,,,,,,
11,1,,26587-040122,, "SCREW M 4X 12",2,,,,,,,,,,,,,,,,,,,,,
12,1,,26716-100002,, "NUT 10",4,,,,,,,,,,,,,,,,,,,,,
13,1,,172486-45140,, "BRACKET ASSY(GRAY:72",1,,,,,,,,,,,,,,,,,,,,,
14,1,,172124-46200,, "O-RING 27X5.7",3,,,,,,,,,,,,,,,,,,,,,
15,1,,24761-020000,, "NIPPLE PT1/8,GREASE",1,,,,,,,,,,,,,,,,,,,,,
16,1,,26013-100252,, "BOLT W/WASHER M10X25",2,,,,,,,,,,,,,,,,,,,,,
17,1,,172486-45400,, "LINK STAND ASSY (12)",1,,,,,,,,,,,,,,,,,,,,,
18,1,,172458-45510,, "BRACKET,BOOT(BLACK12",1,,,,,,,,,,,,,,,,,,,,,
19,1,,22137-080000,, "WASHER 8, POLISHED",2,,,,,,,,,,,,,,,,,,,,,
20,1,,26013-100202,, "BOLT W/WASHER M10X20",6,,,,,,,,,,,,,,,,,,,,,
21,1,,172485-45360,, "ROD 91 ASSY",2,,,,,,,,,,,,,,,,,,,,,
22,1,,172122-46590,, "ELBALL 8",2,,,,,,,,,,,,,,,,,,,,,
23,1,,22117-080000,, "WASHER 8",2,,,,,,,,,,,,,,,,,,,,,
24,1,,22417-160160,, "COTTER PIN 1.6X16",2,,,,,,,,,,,,,,,,,,,,,
25,1,,26051-080002,, "NUT M 8",4,,,,,,,,,,,,,,,,,,,,,
26,1,,172485-45180,, "LEVER R,TRACK(GRAY72",1,,,,,,,,,,,,,,,,,,,,,
27,2,,172161-41370,, "BUSH 2015",2,,,,,,,,,,,,,,,,,,,,,
29,1,,26013-080162,, "BOLT W/WASHER M8X16",2,,,,,,,,,,,,,,,,,,,,,
30,1,,24761-050000,, "NIPPLE C,GREASE",1,,,,,,,,,,,,,,,,,,,,,
31,1,,172485-45310,, "PEDAL L ASSY(TRACK",1,,,,,,,,,,,,,,,,,,,,,
32,1,,172485-45340,, "PEDAL R ASSY(TRACK",1,,,,,,,,,,,,,,,,,,,,,
33,1,,26013-060352,, "BOLT M 6X 35",4,,,,,,,,,,,,,,,,,,,,,



Fig. 15 CONTROL EQUIP. (TRAVEL LEVER)

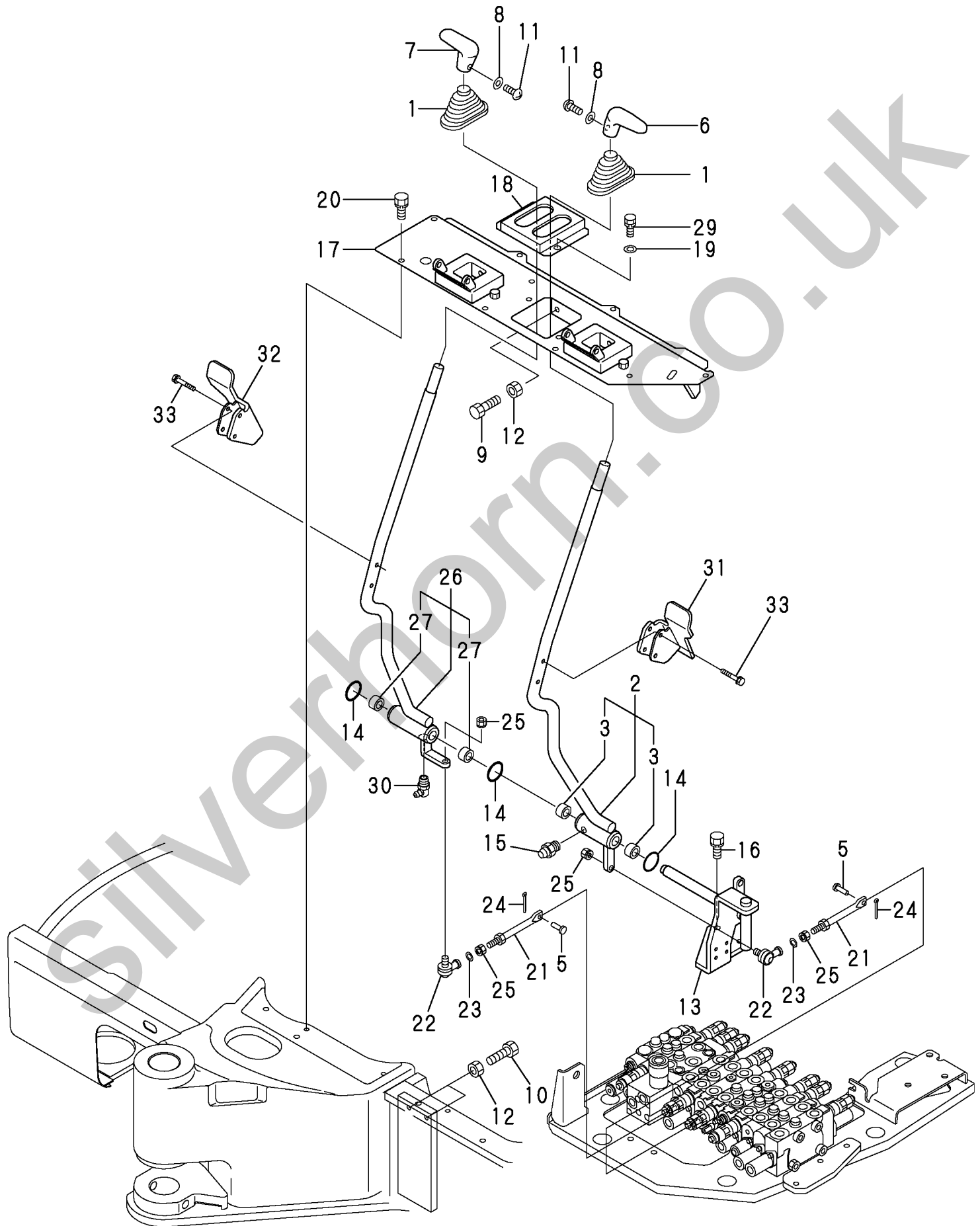
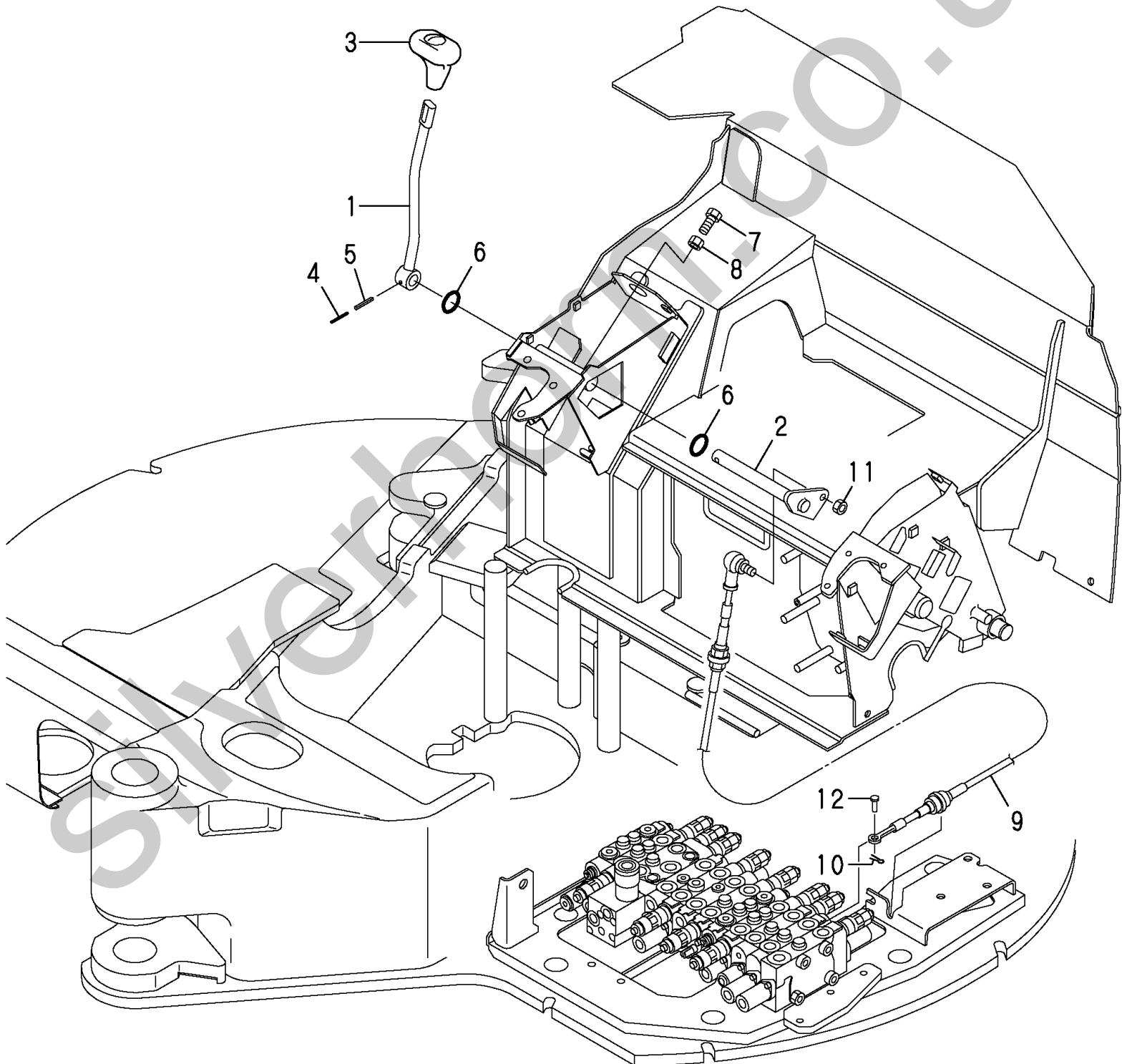


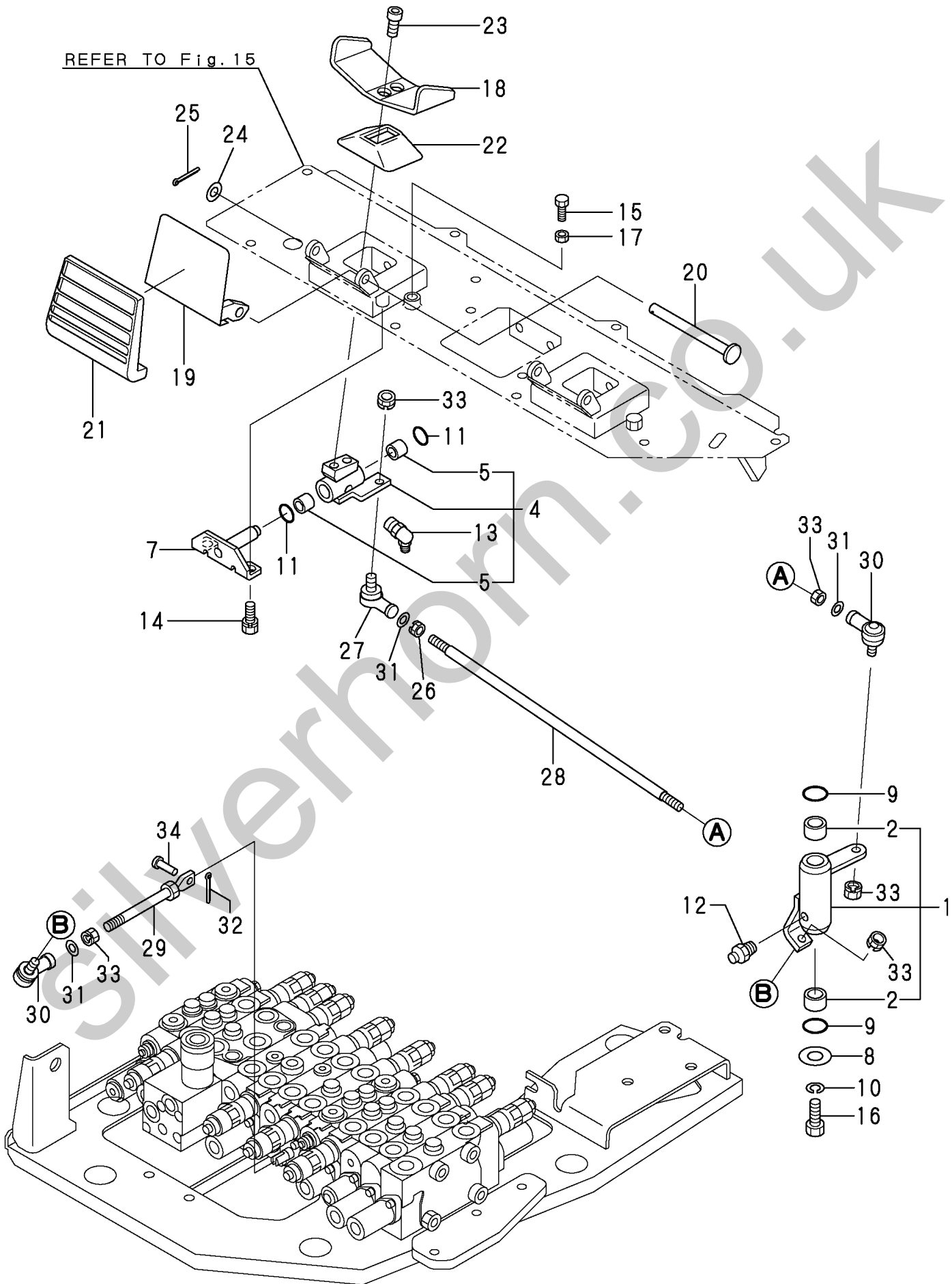
Fig. **16** CONTROL EQUIPMENT (BLADE LEVER)



1,1,,172486-45100,, "LINK, SWING (GRAY:72)",1,
2,2,,172161-41370,, "BUSH 2015",2,
4,1,,172486-45180,, "LINK, PEDAL (GRAY:72)",1,
5,2,,172161-41360,, "BUSH 1415",2,
7,1,,172486-45230,, "SHAFT, PEDAL (GRAY:72)",1,
8,1,,1A1040-45890,, "WASHER 10 36 4.5",1,
9,1,,172124-46200,, "O-RING 27X5.7",2,
10,1,,22217-100000,, "SPRING WASHER 10",1,
11,1,,24311-000210,, "O-RING 1A P-21.0",2,
12,1,,24761-020000,, "NIPPLE PT1/8, GREASE",1,
13,1,,24761-040000,, "NIPPLE B, GREASE",1,
14,1,,26013-080162,, "BOLT W/WASHER M8X16",2,
15,1,,26116-080254,, "BOLT M 8X 25 PLATED",2,
16,1,,26116-100202,, "BOLT M10X 20 PLATED",1,
17,1,,26716-080002,, "NUT M 8",2,
18,1,,172486-45300,, "PEDAL, SWING (GRAY:72)",1,
19,1,,172458-45540,, "COVER, PEDAL (GRAY:72)",1,
20,1,,172486-45360,, "SHAFT, PEDAL COVER",1,
21,1,,172187-45760,, "COVER PAD",1,
22,1,,172157-45990,, "BOOTS, PEDAL",1,
23,1,,172165-46340,, "BOLT",2,
24,1,,22137-100000,, "WASHER 10, POLISHED",1,
25,1,,22417-250200,, "COTTER PIN 2.5X20",1,
26,1,,194200-37780,, "LS-NUT 8",1,
27,1,,172734-41300,, "LINK BALL 8L",1,
28,1,,172485-45380,, "ROD, LINK R",1,
29,1,,172485-45080,, "ROD 130 ASSY",1,
30,1,,172122-46590,, "ELBALL 8",2,
31,1,,22117-080000,, "WASHER 8",3,
32,1,,22417-160160,, "COTTER PIN 1.6X16",1,
33,1,,26051-080002,, "NUT M 8",5,
34,1,,933110-54100,, "PIN 4.75X14",1,



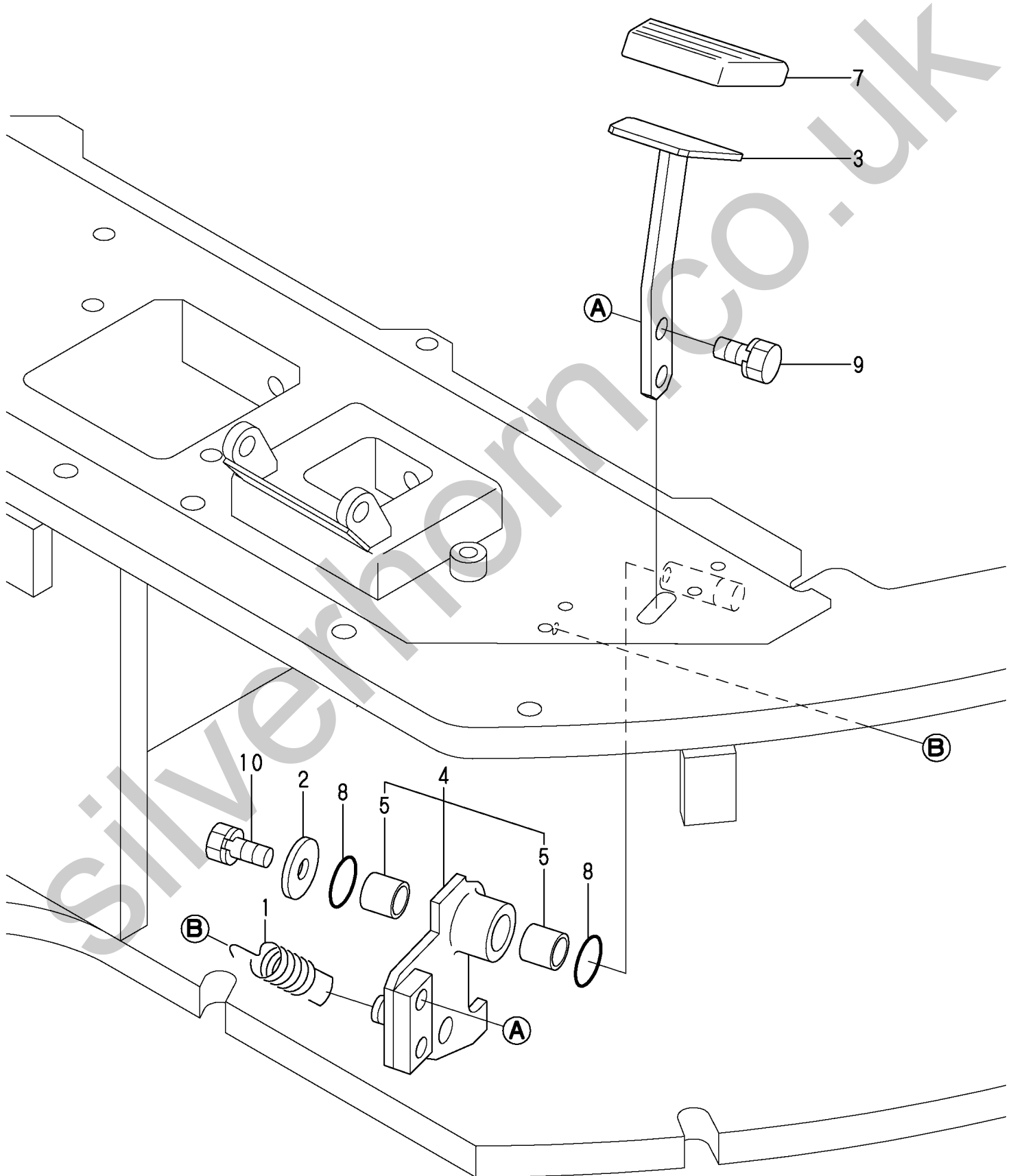
Fig. 17 CONTROL EQUIPMENT (SWING PEDAL)



1,1,,172162-12480,, "SPRING,RETURN",1,,,,,,,,,,,,,,,,,,,,,
2,1,,1A1040-43900,, "SPRING WASHER",1,,,,,,,,,,,,,,,,,,,,,
3,1,,172487-45900,, "PEDAL,LO-HI (GRAY:72)",1,,,,,,,,,,,,,,,,,,,,,
4,1,,172458-45920,, "BRACKET,PEDAL (GRAY72",1,,,,,,,,,,,,,,,,,,,,,
5,2,,172141-41360,, "BUSH 1415",2,,,,,,,,,,,,,,,,,,,,,
7,1,,172458-45950,, "PAD,PEDAL",1,,,,,,,,,,,,,,,,,,,,,
8,1,,24311-000210,, "O-RING 1A P-21.0",2,,,,,,,,,,,,,,,,,,,,,
9,1,,26013-080162,, "BOLT W/WASHER M8X16",2,,,,,,,,,,,,,,,,,,,,,
10,1,,26013-080202,, "BOLT W/WASHER M8X20",1,,,,,,,,,,,,,,,,,,,,,

Silverhorn.CO.UK

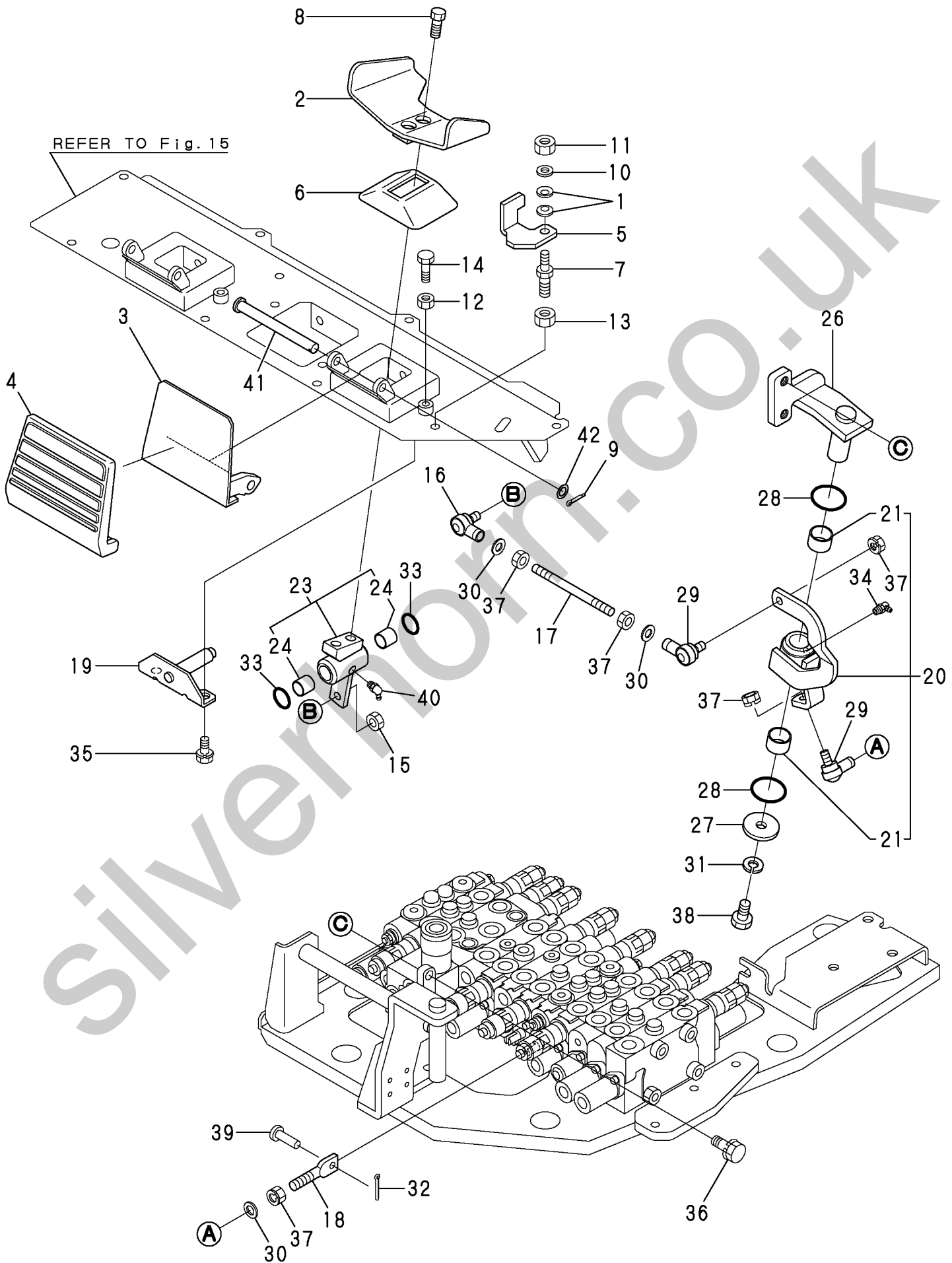
Fig. 18 CONTROL EQUIP. (LOW-HIGH PEDAL)



1,1,,172068-28490,, "SPRING 8",2,,,,,,,,,,,,,,,,,,,,,
2,1,,172472-45500,, "PEDAL,P.T.O(GRAY:72)",1,,,,,,,,,,,,,,,,,,,,,
3,1,,172486-45330,, "COVER,PEDAL(GRAY:72)",1,,,,,,,,,,,,,,,,,,,,,
4,1,,172187-45760,, "COVER PAD",1,,,,,,,,,,,,,,,,,,,,,
5,1,,172448-45800,, "PLATE,LOCK(PTO (11))",1,,,,,,,,,,,,,,,,,,,,,
6,1,,172157-45990,, "BOOTS, PEDAL",1,,,,,,,,,,,,,,,,,,,,,
7,1,,172462-46230,, "BOLT 8X10",1,,,,,,,,,,,,,,,,,,,,,
8,1,,172165-46340,, BOLT,2,,,,,,,,,,,,,,,,,,,,,
9,1,,22417-250200,, "COTTER PIN 2.5X20",1,,,,,,,,,,,,,,,,,,,,,
10,1,,22137-080000,, "WASHER 8, POLISHED",1,,,,,,,,,,,,,,,,,,,,,
11,1,,26347-080002,, "U-NUT 8",1,,,,,,,,,,,,,,,,,,,,,
12,1,,26716-080002,, "NUT M 8",2,,,,,,,,,,,,,,,,,,,,,
13,1,,26757-100002,, "LOCK NUT 10",1,,,,,,,,,,,,,,,,,,,,,
14,1,,26116-080254,, "BOLT M 8X 25 PLATED",2,,,,,,,,,,,,,,,,,,,,,
15,1,,194200-37780,, "LS-NUT 8",1,,,,,,,,,,,,,,,,,,,,,
16,1,,172734-41300,, "LINK BALL 8L",1,,,,,,,,,,,,,,,,,,,,,
17,1,,172732-42450,, ROD,1,,,,,,,,,,,,,,,,,,,,,
18,1,,172823-45000,, "ROD 54, SPOOL",1,,,,,,,,,,,,,,,,,,,,,
19,1,,172458-45230,, "SHAFT,PEDAL(GRAY:72)",1,,,,,,,,,,,,,,,,,,,,,
20,1,,172467-45300,, "LINK A ASSY",1,,,,,,,,,,,,,,,,,,,,,
21,2,,172141-41370,, "BUSH 2015",2,,,,,,,,,,,,,,,,,,,,,
23,1,,172472-45330,, "LINK B ASSY",1,,,,,,,,,,,,,,,,,,,,,
24,2,,172141-41370,, "BUSH 2015",2,,,,,,,,,,,,,,,,,,,,,
26,1,,172467-45370,, "BRACKET ASSY",1,,,,,,,,,,,,,,,,,,,,,
27,1,,1A1040-45890,, "WASHER 10 36 4.5",1,,,,,,,,,,,,,,,,,,,,,
28,1,,172124-46200,, "O-RING 27X5.7",2,,,,,,,,,,,,,,,,,,,,,
29,1,,172122-46590,, "ELBALL 8",2,,,,,,,,,,,,,,,,,,,,,
30,1,,22117-080000,, "WASHER 8",3,,,,,,,,,,,,,,,,,,,,,
31,1,,22217-100000,, "SPRING WASHER 10",1,,,,,,,,,,,,,,,,,,,,,
32,1,,22417-160160,, "COTTER PIN 1.6X16",1,,,,,,,,,,,,,,,,,,,,,
33,1,,24311-000210,, "O-RING 1A P-21.0",2,,,,,,,,,,,,,,,,,,,,,
34,1,,24761-050000,, "NIPPLE C,GREASE",1,,,,,,,,,,,,,,,,,,,,,
35,1,,26013-080162,, "BOLT W/WASHER M8X16",2,,,,,,,,,,,,,,,,,,,,,
36,1,,26013-100202,, "BOLT W/WASHER M10X20",2,,,,,,,,,,,,,,,,,,,,,
37,1,,26051-080002,, "NUT M 8",5,,,,,,,,,,,,,,,,,,,,,
38,1,,26116-100202,, "BOLT M10X 20 PLATED",1,,,,,,,,,,,,,,,,,,,,,
39,1,,933110-54100,, "PIN 4.75X14",1,,,,,,,,,,,,,,,,,,,,,
40,1,,24761-040000,, "NIPPLE B,GREASE",1,,,,,,,,,,,,,,,,,,,,,
41,1,,172187-45651,, "SHAFT, PEDAL COVER",1,,,,,,,,,,,,,,,,,,,,,
42,1,,22137-100000,, "WASHER 10,POLISHED",1,,,,,,,,,,,,,,,,,,,,,



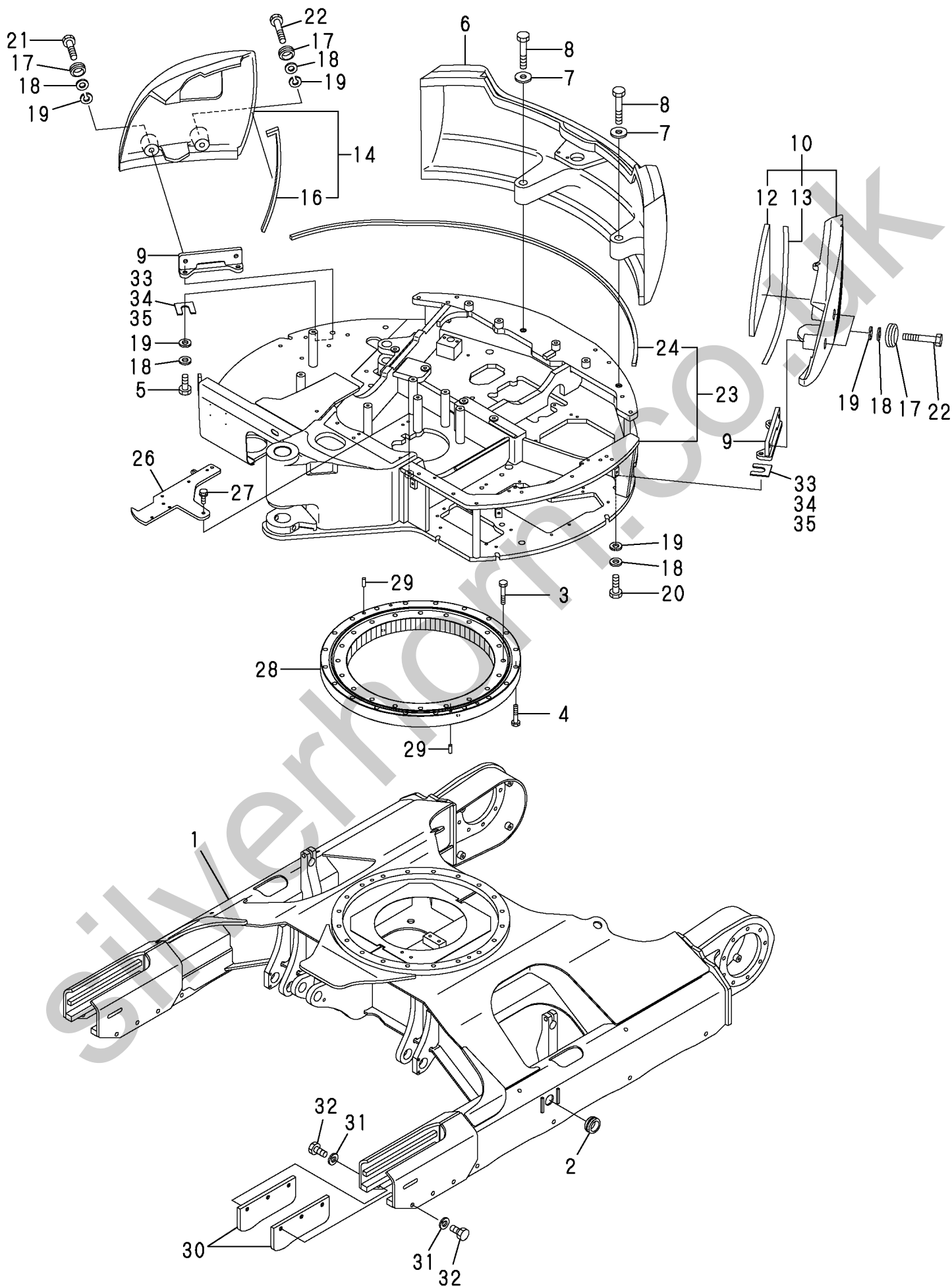
Fig. 19 CONTROL EQUIPMENT (P. T. O. PEDAL)



1,1,,172460-50100-1,, "LOWER FLAME(GREEN:82",1,
 2,1,,172141-50890,, GROMMET,2,
 3,1,,172455-57650,, "BOLT 16X90",20,
 4,1,,172455-57661,, "BOLT 16X80",20,
 5,1,,26116-160402,, "BOLT M16X 40 PLATED",2,
 6,1,,172485-53300,, "WEIGHT (GREEN:82)",1,
 7,1,,172486-53310,, "WASHER 24.5X65X8",2,
 8,1,,172486-53320,, "BOLT 24X140",2,
 9,1,,172486-53330,, "BRACKET (GREEN:86)",2,
 10,1,,172486-53361,, WEIGHT(SIDE(GREEN:82,1,
 12,2,,172486-53380,, "EV,WEIGHT L",1,
 13,2,,172486-53570,, "EV,WEIGHT",1,
 14,1,,172486-53391,, "WEIGHT,SIDE R (82)",1,
 16,2,,172486-53570,, "EV,WEIGHT",1,
 17,1,,172151-53430,, GROMMET,4,
 18,1,,172486-53430,, "WASHER 16.5X35",8,
 19,1,,22217-160000,, "SPRING WASHER 16",8,
 20,1,,26116-160502,, "BOLT M16X 50 PLATED",2,
 21,1,,26116-160702,, "BOLT M16X 70 PLATED",1,
 22,1,,26116-160902,, "BOLT 16* 90",3,
 23,1,,172485-54090,, "TURNING FRAME (86)",1,
 24,2,,172486-54670,, "SEAL,TURNING",1,
 26,1,,172486-54640,, "PLATE, BASE(GREEN:86",1,
 27,1,,26013-100252,, "BOLT W/WASHER M10X25",1,
 28,1,,172445-57600,, "BEARING,TURNING",1,
 29,1,,172122-57620,, "PARALLEL PIN 13X36",4,
 30,1,,172423-50810-1,, "GUARD,CRAWLER",4,
 31,1,,22217-160000,, "SPRING WASHER 16",8,
 32,1,,26116-160352,, "BOLT M16X 35 PLATED",12,
 33,1,,172486-53500,, "SPACER M20 1.5",2,
 34,1,,172486-53510,, "SPACER M20 2.0",2,
 35,1,,172486-53520,, "SPACER M20 3.0",2,



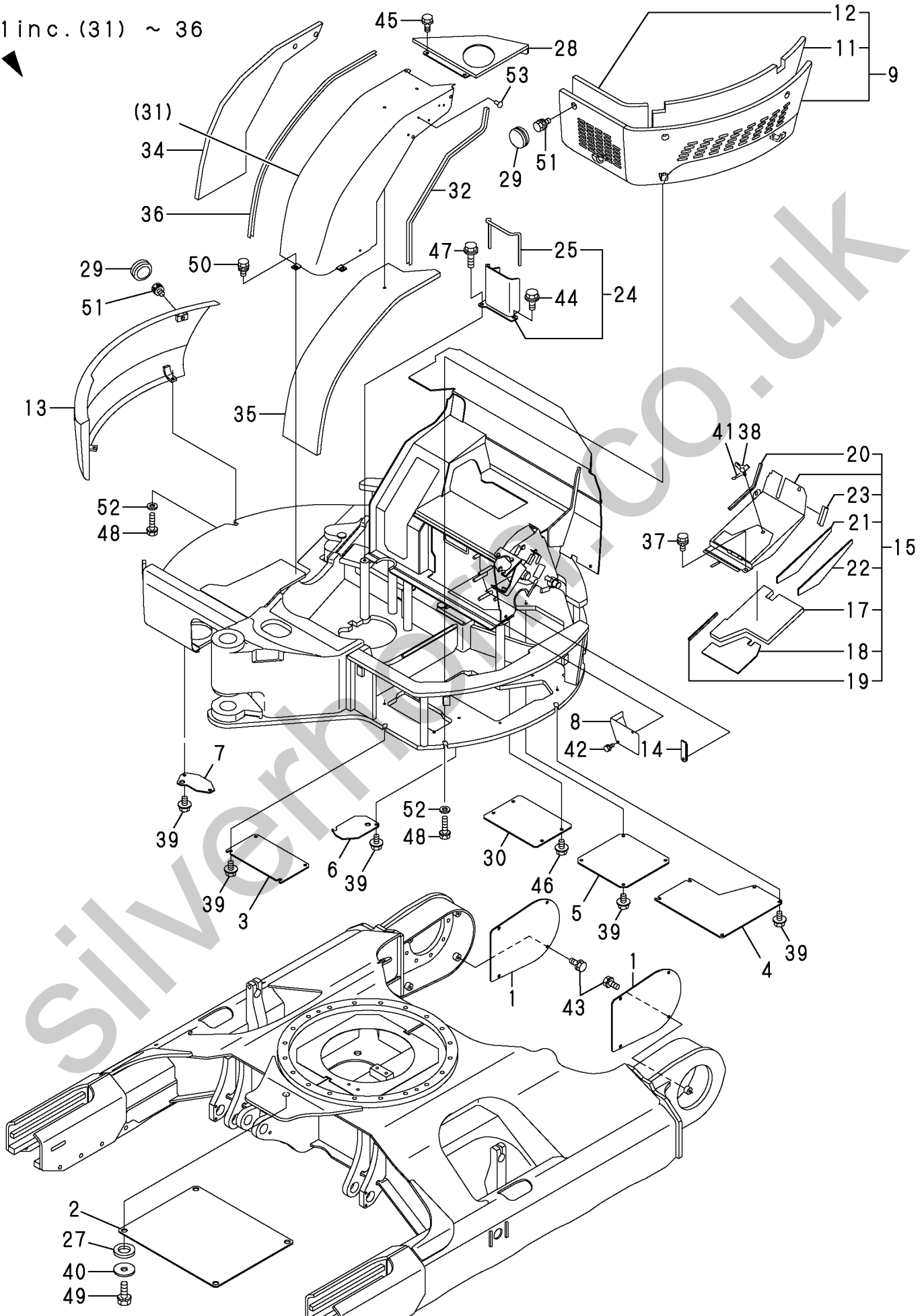
Fig. 20 FRAME & TURNING BEARING



1,1,,172460-61100-2,, "COVER (GREEN:82)",2,,,,,,,,,,,,,
2,1,,172460-61120-1,, "COVER (GREEN:82)",1,,,,,,,,,,,,,
3,1,,172486-61130,, "COVER A (GREEN:86)",1,,,,,,,,,,,,,
4,1,,172486-61140,, "COVER B (GREEN:86)",1,,,,,,,,,,,,,
5,1,,172486-61150,, "COVER C (GREEN:86)",1,,,,,,,,,,,,,
6,1,,172486-61160,, "COVER D (GREEN:86)",1,,,,,,,,,,,,,
7,1,,172486-61171,, "COVER E (GREEN:86)",1,,,,,,,,,,,,,
8,1,,172486-61261,, "COVER,ELECTRIC (73)",1,,,,,,,,,,,,,
9,1,,172486-61180,, "COVER,FRAME L (86)",1,,,,,,,,,,,,,
11,2,,172460-61240,,EV,1,,,,,,,,,,,,,
12,2,,172460-61260,,EV,1,,,,,,,,,,,,,
13,1,,172486-61291,, "COVER,FRAME R (86)",1,,,,,,,,,,,,,
14,1,,172458-61300,, "GROMMET,MULTI",1,,,,,,,,,,,,,
15,1,,172486-61321,, "COVER ASSY,MULTI",1,,,,,,,,,,,,,
17,2,,172486-61400,,EV,1,,,,,,,,,,,,,
18,2,,172486-61410,, "SEAL,MULTI COVER A",1,,,,,,,,,,,,,
19,2,,172486-61420,, "SEAL,MULTI COVER B",1,,,,,,,,,,,,,
20,2,,172486-61790,, "RUBBER, SEAL",1,,,,,,,,,,,,,
21,2,,172486-61440,, "SEAL E",1,,,,,,,,,,,,,
22,2,,172486-61450,, "SEAL F",1,,,,,,,,,,,,,
23,2,,172184-65800,, "RUBBER, SEAL E",1,,,,,,,,,,,,,
24,1,,172486-61470,, "PLATE ASSY,US",1,,,,,,,,,,,,,
25,2,,172455-18640,,RUBBER,1,,,,,,,,,,,,,
27,1,,172162-61500,,RUBBER,4,,,,,,,,,,,,,
28,1,,172486-61550,, "COVER RR ASSY (87)",1,,,,,,,,,,,,,
29,1,,172486-61580,,PLUG,5,,,,,,,,,,,,,
30,1,,172486-61601,, "COVER,OIL SUMP (86)",1,,,,,,,,,,,,,
31,1,,172460-61690,, "COVER (GRAY:73)",1,,,,,,,,,,,,,
32,2,,172458-61650,, "SEAL,SIDE COVER",1,,,,,,,,,,,,,
34,2,,172460-61730,,EV,1,,,,,,,,,,,,,
35,2,,172460-61740,,EV,1,,,,,,,,,,,,,
36,2,,172649-65760,, "SEAL B, RUBBER",1,,,,,,,,,,,,,
37,1,,26014-100202,, "BOLT M10X 20",2,,,,,,,,,,,,,
38,1,,172142-62300,, "WING BOLT M10X15",1,,,,,,,,,,,,,
39,1,,26106-100162,, "BOLT M10X 16 PLATED",17,,,,,,,,,,,,,
40,1,,22157-120000,, "WASHER 12",4,,,,,,,,,,,,,
41,1,,22417-320200,, "COTTER PIN 3.2X20",1,,,,,,,,,,,,,
42,1,,26013-060122,, "BOLT M 6X 12",3,,,,,,,,,,,,,
43,1,,26013-100202,, "BOLT W/WASHER M10X20",8,,,,,,,,,,,,,
44,1,,26106-100202,, "BOLT M10X 20 PLATED",1,,,,,,,,,,,,,
45,1,,26013-100202,, "BOLT W/WASHER M10X20",3,,,,,,,,,,,,,
46,1,,26106-100162,, "BOLT M10X 16 PLATED",4,,,,,,,,,,,,,
47,1,,26106-100302,, "BOLT M10X 30 PLATED",1,,,,,,,,,,,,,
48,1,,26013-100352,, "BOLT M10X 35",5,,,,,,,,,,,,,
49,1,,26013-120302,, "BOLT W/WASHER M12X30",4,,,,,,,,,,,,,
50,1,,26014-100202,, "BOLT M10X 20",4,,,,,,,,,,,,,
51,1,,26014-100202,, "BOLT M10X 20",5,,,,,,,,,,,,,
52,1,,172486-61280,,WASHER,5,,,,,,,,,,,,,
53,1,,172485-61140,, "CLIP 5",3,,,,,,,,,,,,,

Fig. 21 COVER (FRAME)

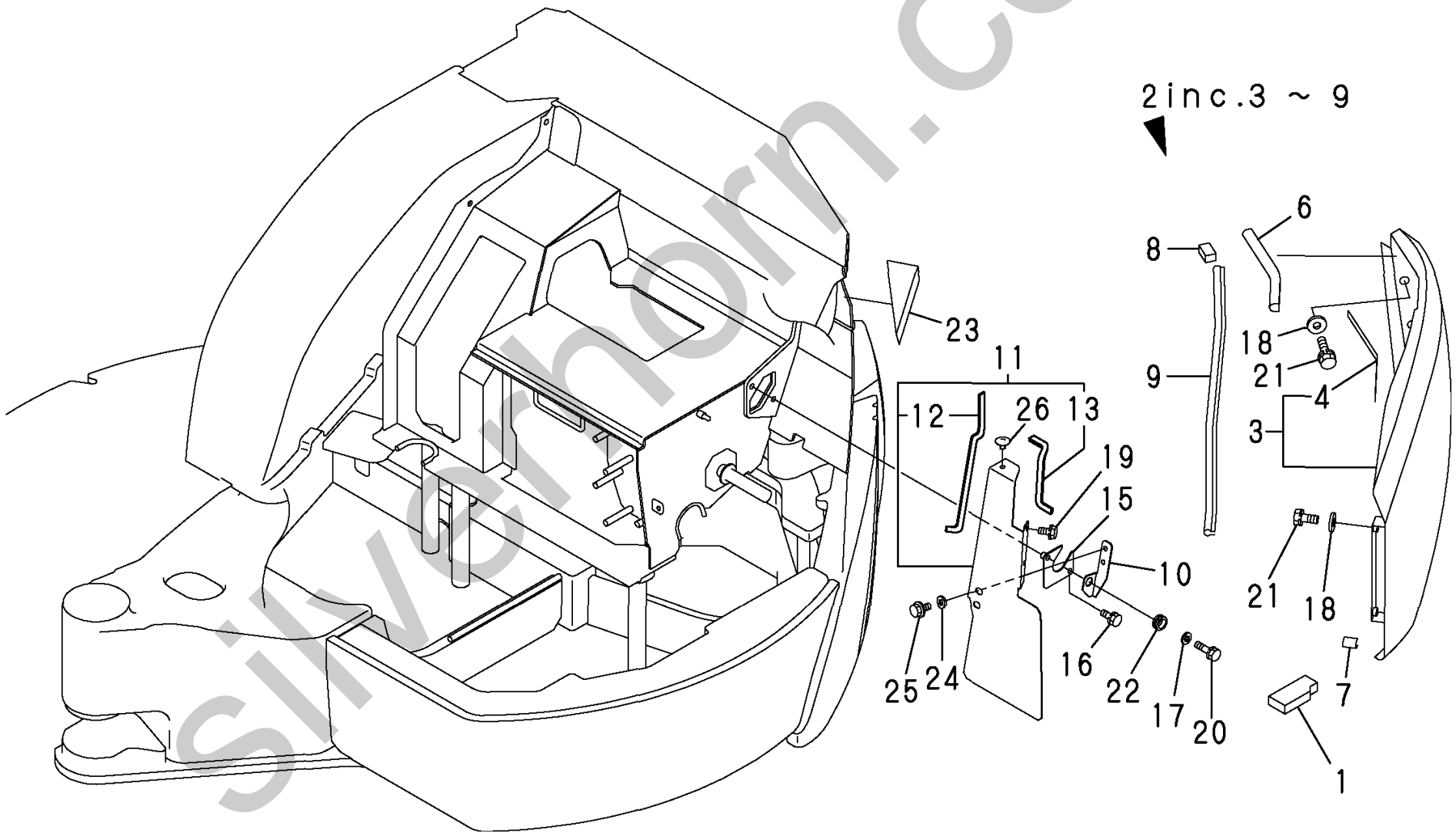
31 inc. (31) ~ 36



1,1,,172458-63350,,SPOGE,1,,,,,,,,,,,,,,,,,,,,,
2,1,,172460-61900-1,,,"COVER L(CAB(YELLOW87",1,,,,,,,,,,,,,,,,,,,,,
3,2,,172460-61910-1,,,"COVER L(CAB(YELLOW87",1,,,,,,,,,,,,,,,,,,,,,
4,3,,172460-61460,,SEAL,1,,,,,,,,,,,,,,,,,,,,,
6,2,,172460-61480,,RUBBER,1,,,,,,,,,,,,,,,,,,,,,
7,2,,172458-61510,,,"RUBBER,SEAL 55",1,,,,,,,,,,,,,,,,,,,,,
8,2,,172458-63900,,STOPPER,1,,,,,,,,,,,,,,,,,,,,,
9,2,,172175-65870,,,"SEAL (A)",1,,,,,,,,,,,,,,,,,,,,,
10,1,,172458-63520,,,"PLATE (GRAY:73)",1,,,,,,,,,,,,,,,,,,,,,
11,1,,172458-63540,,,"COVER ASSY (GRAY:73)",1,,,,,,,,,,,,,,,,,,,,,
12,2,,172823-61520,,,"RUBBER 325, FRAME",1,,,,,,,,,,,,,,,,,,,,,
13,2,,172162-61870,,,"RUBBER 200,EDGE",1,,,,,,,,,,,,,,,,,,,,,
15,1,,172468-61210,,,"COVER (GRAY:73)",1,,,,,,,,,,,,,,,,,,,,,
16,1,,26013-080162,,,"BOLT W/WASHER M8X16",1,,,,,,,,,,,,,,,,,,,,,
17,1,,22137-080000,,,"WASHER 8, POLISHED",1,,,,,,,,,,,,,,,,,,,,,
18,1,,22151-100000,,,"WASHER 10",4,,,,,,,,,,,,,,,,,,,,,
19,1,,26013-080162,,,"BOLT W/WASHER M8X16",2,,,,,,,,,,,,,,,,,,,,,
20,1,,26013-080252,,,"BOLT M 8X 25",1,,,,,,,,,,,,,,,,,,,,,
21,1,,26013-100252,,,"BOLT W/WASHER M10X25",4,,,,,,,,,,,,,,,,,,,,,
22,1,,933160-09220,,GROMMET,1,,,,,,,,,,,,,,,,,,,,,
23,1,,172460-61960,,,"SEAL,CAB-COVER",1,,,,,,,,,,,,,,,,,,,,,
24,1,,172458-62430,,,"WASHER M8",2,,,,,,,,,,,,,,,,,,,,,
25,1,,172519-63240,,,"BOLT 8X 16",2,,,,,,,,,,,,,,,,,,,,,
26,1,,172444-17660,,CLIP,1,,,,,,,,,,,,,,,,,,,,,

Silverhorn.CO.UK

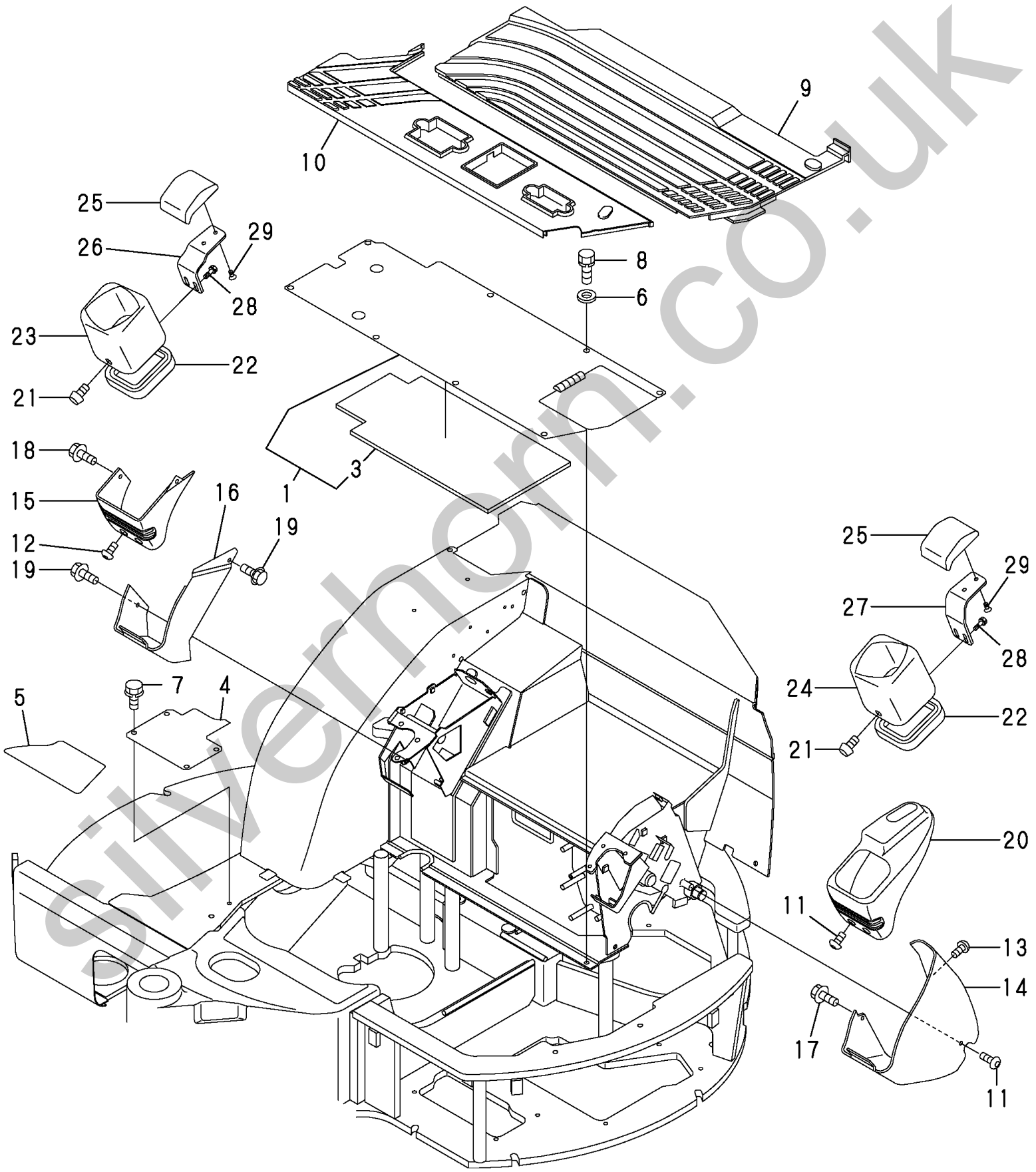
Fig. 22 COVER (CABIN)



1,1,,172472-62210,, "STEP (GRAY:73)",1,.....
3,2,,172472-62310,,SEAL,1,.....
4,1,,172460-62110,, "STEP B (GRAY:73)",1,.....
5,1,,172460-62120,,SEET,1,.....
6,1,,22137-100000,, "WASHER 10,POLISHED",8,.....
7,1,,26013-100202,, "BOLT W/WASHER M10X20",3,.....
8,1,,26013-100202,, "BOLT W/WASHER M10X20",8,.....
9,1,,172458-62400,, "MAT,FLOOR A(CABIN",1,.....
10,1,,172486-62410,, "FLOOR MAT B (CABIN",1,.....
11,1,,172458-46720,, "BOLT 8X20",3,.....
12,1,,172458-46720,, "BOLT 8X20",2,.....
13,1,,172458-46720,, "BOLT 8X20",1,.....
14,1,,172458-63120,, "INSTRUMENT PANEL L",1,.....
15,1,,172458-63130,, "INSTRUMENT PANEL R",1,.....
16,1,,172458-63140,, "INSTRUMENT PANEL R",1,.....
17,1,,172519-63240,, "BOLT 8X 16",2,.....
18,1,,172519-63240,, "BOLT 8X 16",1,.....
19,1,,172519-63240,, "BOLT 8X 16",2,.....
20,1,,172458-63100,, "INSTRUMENT PANEL L",1,.....
21,1,,172458-46720,, "BOLT 8X20",2,.....
22,1,,172162-62540,, "SEAL,STEP L",2,.....
23,1,,172472-63210,, "COVER R,US",1,.....
24,1,,172472-63220,, "COVER L,US",1,.....
25,1,,172441-44320,, "ARM REST",2,.....
26,1,,172485-64510,, "PLATE,ARM REST R(73)",1,.....
27,1,,172485-64520,, "PLATE,ARM REST L(73)",1,.....
28,1,,172485-64530,, "BOLT M 8X 25",4,.....
29,1,,26577-080122,, "SCREW M 8X 12",4,.....

Silverhorn.CO.UK

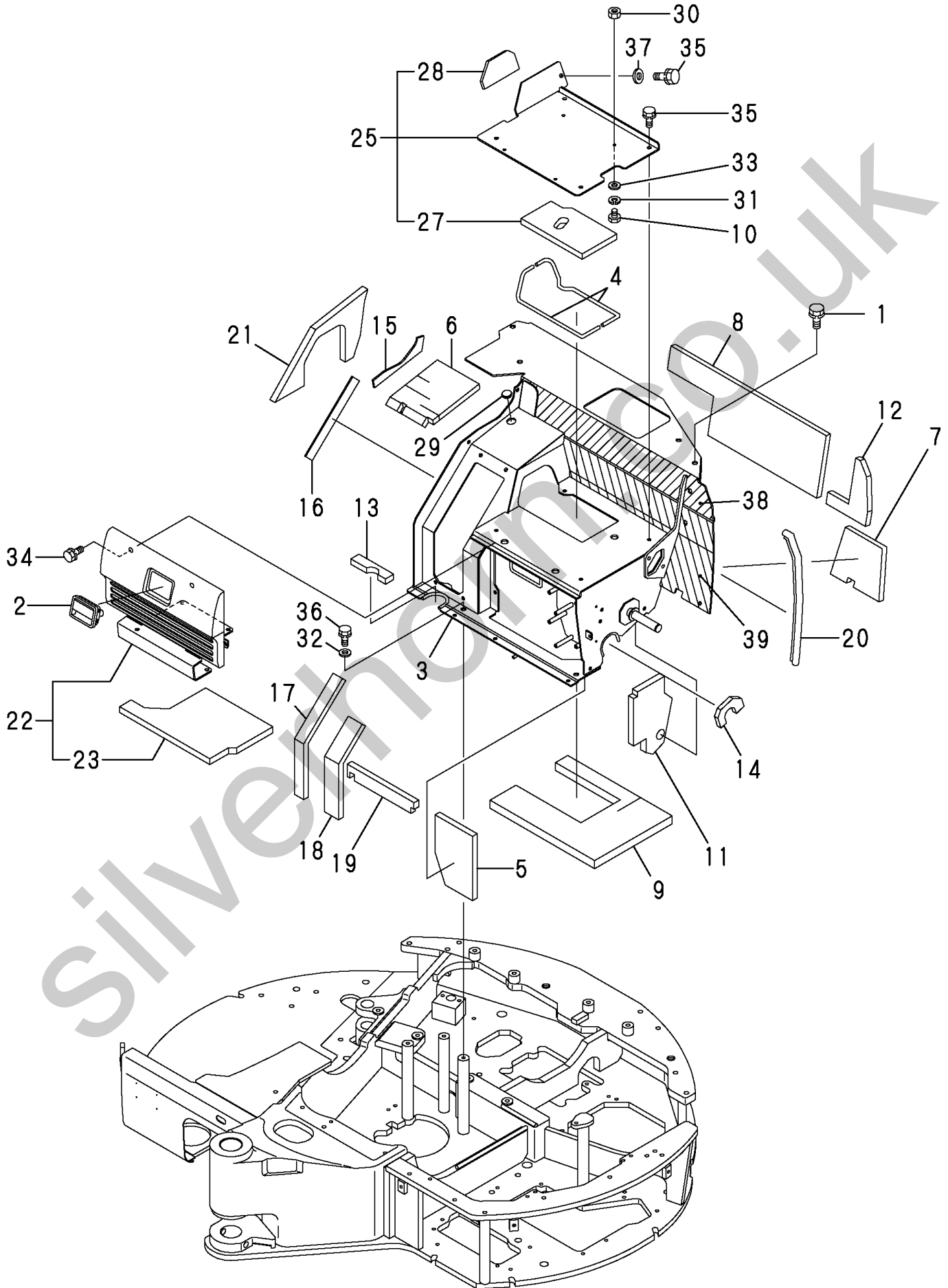
Fig. **23** STEP & INSTRUMENT PANEL



1,1,,26013-120302,, "BOLT W/WASHER M12X30",3,,,,,,,,,,,,,,,,,,,,,
2,1,,172187-61421,, "HANDLE, LOCK",1,,,,,,,,,,,,,,,,,,,,,
3,1,,172486-64301,, "MOUNT ASSY (GRAY:73)",1,,,,,,,,,,,,,,,,,,,,,
4,1,,172458-64140,, "SEAL 560",2,,,,,,,,,,,,,,,,,,,,,
5,1,,172468-64140,, EV,1,,,,,,,,,,,,,,,,,,,,,
6,1,,172468-64150,, EV,1,,,,,,,,,,,,,,,,,,,,,
7,1,,172458-64170,, EV,1,,,,,,,,,,,,,,,,,,,,,
8,1,,172458-64180,, EV,1,,,,,,,,,,,,,,,,,,,,,
9,1,,172468-64130,, EV,1,,,,,,,,,,,,,,,,,,,,,
10,1,,26116-080162,, "BOLT 8X16",4,,,,,,,,,,,,,,,,,,,,,
11,1,,172468-64110,, EV,1,,,,,,,,,,,,,,,,,,,,,
12,1,,172460-64310,, EV,1,,,,,,,,,,,,,,,,,,,,,
13,1,,172458-64650,, EV,1,,,,,,,,,,,,,,,,,,,,,
14,1,,172458-64660,, "SEAL 95",1,,,,,,,,,,,,,,,,,,,,,
15,1,,172458-64680,, "SEAL A,SEAT MOUNT",1,,,,,,,,,,,,,,,,,,,,,
16,1,,172458-64690,, "SEAL B,SEAT MOUNT",1,,,,,,,,,,,,,,,,,,,,,
17,1,,172460-64400,, SEAL,1,,,,,,,,,,,,,,,,,,,,,
18,1,,172460-64410,, SEAL,1,,,,,,,,,,,,,,,,,,,,,
19,1,,172458-64740,, EV,1,,,,,,,,,,,,,,,,,,,,,
20,1,,172164-65730,, "RUBBER,SEAL D",1,,,,,,,,,,,,,,,,,,,,,
21,1,,172468-64120,, EV,1,,,,,,,,,,,,,,,,,,,,,
22,1,,172468-64601,, "GRILL ASSY (GRAY:73)",1,,,,,,,,,,,,,,,,,,,,,
23,2,,172468-64640,, EV,1,,,,,,,,,,,,,,,,,,,,,
25,1,,172468-64400,, "PLATE ASSY (GRAY:73)",1,,,,,,,,,,,,,,,,,,,,,
27,2,,172467-64330,, "EV,SEAT PLATE",1,,,,,,,,,,,,,,,,,,,,,
28,2,,172468-64430,, SEET,1,,,,,,,,,,,,,,,,,,,,,
29,1,,172458-64590,, "PLUG 28X3.2",1,,,,,,,,,,,,,,,,,,,,,
30,1,,26716-080002,, "NUT M 8",4,,,,,,,,,,,,,,,,,,,,,
31,1,,22217-080000,, "SPRING WASHER 8",4,,,,,,,,,,,,,,,,,,,,,
32,1,,22137-100000,, "WASHER 10,POLISHED",3,,,,,,,,,,,,,,,,,,,,,
33,1,,22137-080000,, "WASHER 8, POLISHED",4,,,,,,,,,,,,,,,,,,,,,
34,1,,26013-100202,, "BOLT W/WASHER M10X20",4,,,,,,,,,,,,,,,,,,,,,
35,1,,26013-100202,, "BOLT W/WASHER M10X20",5,,,,,,,,,,,,,,,,,,,,,
36,1,,26013-100252,, "BOLT W/WASHER M10X25",3,,,,,,,,,,,,,,,,,,,,,
37,1,,22137-100000,, "WASHER 10,POLISHED",1,,,,,,,,,,,,,,,,,,,,,
38,1,,172458-67810,, "SEAT,A",1,,,,,,,,,,,,,,,,,,,,,
39,1,,172458-67820,, "SEAT,B",1,,,,,,,,,,,,,,,,,,,,,



Fig. **24** SEAT MOUNT

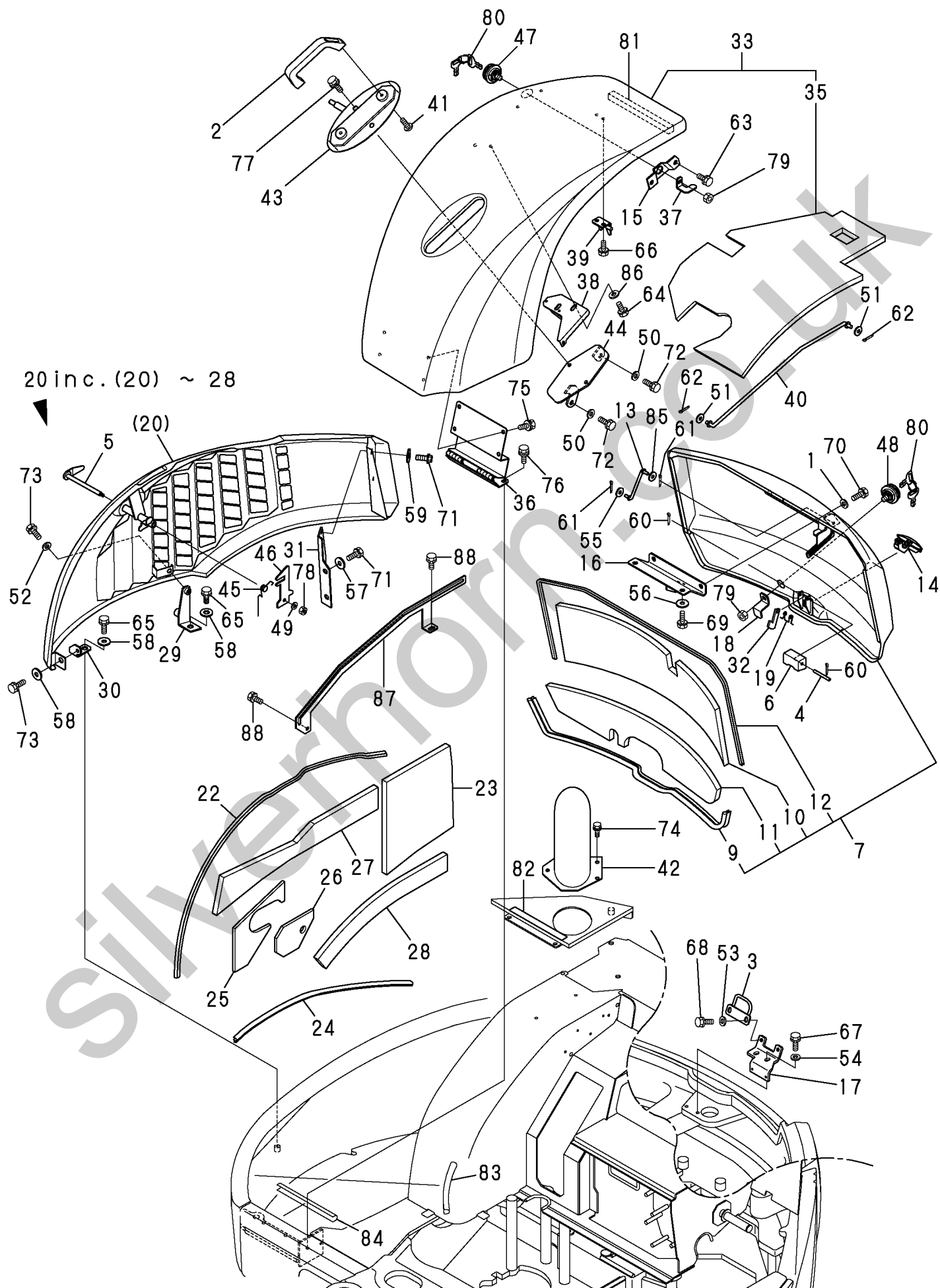


1,1,,172159-65930,, "WASHER 10",2,,,,,,,,,,,,,,,,,,,,,
2,1,,172164-45980,, "GRIP, BONNET",1,,,,,,,,,,,,,,,,,,,,,
3,1,,172486-65120,, "BRACKET B ASSY,LOCK",1,,,,,,,,,,,,,,,,,,,,,
4,1,,172486-65150,, SHAFT,1,,,,,,,,,,,,,,,,,,,,,
5,1,,172486-65161,, "HOOK ASSY",1,,,,,,,,,,,,,,,,,,,,,
6,1,,172458-65060,, "COVER,BONNET LOCK",1,,,,,,,,,,,,,,,,,,,,,
7,1,,172486-65220,, "BONNET (YELLOW:87)",1,,,,,,,,,,,,,,,,,,,,,
9,2,,172164-19210,, "RUBBER SEAL",1,,,,,,,,,,,,,,,,,,,,,
10,2,,172460-65420,, "SEAL A",1,,,,,,,,,,,,,,,,,,,,,
11,2,,172460-65430,, "SEAL B",1,,,,,,,,,,,,,,,,,,,,,
12,2,,172649-65750,, "SEAL A, RUBBER",1,,,,,,,,,,,,,,,,,,,,,
13,1,,172486-65420,, "ROD ASSY,STOPPER",1,,,,,,,,,,,,,,,,,,,,,
14,1,,172486-65440,, "LEVER ASSY,LOCK",1,,,,,,,,,,,,,,,,,,,,,
15,1,,172486-65470,, "PLATE,KEY(YELLOW:87)",1,,,,,,,,,,,,,,,,,,,,,
16,1,,172486-65480,, "BRACKET B (BLACK:12)",1,,,,,,,,,,,,,,,,,,,,,
17,1,,172486-65090,, "BRACKET (GRAY:73)",1,,,,,,,,,,,,,,,,,,,,,
18,1,,172486-65520,, "PLATE,ROCK",1,,,,,,,,,,,,,,,,,,,,,
19,1,,172159-65960,, "SPRING CATCH",1,,,,,,,,,,,,,,,,,,,,,
20,1,,172486-65531,, "BONNET R (YELLOW:87)",1,,,,,,,,,,,,,,,,,,,,,
22,2,,172486-65631,, "SEAL A",1,,,,,,,,,,,,,,,,,,,,,
23,2,,172460-65750,, EVA,1,,,,,,,,,,,,,,,,,,,,,
24,2,,172184-65760,, "RUBBER, SEAL B",1,,,,,,,,,,,,,,,,,,,,,
25,2,,172460-65760,, SPONGE,1,,,,,,,,,,,,,,,,,,,,,
26,2,,172460-65770,, SPONGE,1,,,,,,,,,,,,,,,,,,,,,
27,2,,172486-65671,, "EV D,BONNET R",1,,,,,,,,,,,,,,,,,,,,,
28,2,,172486-65681,, "EV E,BONNET R",1,,,,,,,,,,,,,,,,,,,,,
29,1,,172486-65691,, "BRACKET B (GRAY:73)",1,,,,,,,,,,,,,,,,,,,,,
30,1,,172486-65720,, "BRACKET C (GRAY:73)",1,,,,,,,,,,,,,,,,,,,,,
31,1,,172486-65740,, "BRACKET R (GRAY:73)",1,,,,,,,,,,,,,,,,,,,,,
32,1,,172159-65950,, CATCHER,1,,,,,,,,,,,,,,,,,,,,,
33,1,,172486-65760,, "BONNET ASSY",1,,,,,,,,,,,,,,,,,,,,,
35,2,,172460-65730,, EV,1,,,,,,,,,,,,,,,,,,,,,
36,1,,172486-65790,, "HINGE ASSY(GREEN:86)",1,,,,,,,,,,,,,,,,,,,,,
37,1,,172486-65830,, "PLATE,LOCK(GREEN:86)",1,,,,,,,,,,,,,,,,,,,,,
38,1,,172486-65842,, BRACKET,1,,,,,,,,,,,,,,,,,,,,,
39,1,,172486-66250,, "PLATE,GUIDE",1,,,,,,,,,,,,,,,,,,,,,
40,1,,172486-65882,, "ROD ASSY,STOPPER",1,,,,,,,,,,,,,,,,,,,,,
41,1,,26557-080202,, "SCREW M 8X 20",2,,,,,,,,,,,,,,,,,,,,,
42,1,,172486-65910,, COVER,1,,,,,,,,,,,,,,,,,,,,,
43,1,,172486-65940,, "PLATE (GRAY:73)",1,,,,,,,,,,,,,,,,,,,,,
44,1,,172486-66100,, "BASE (GRAY:73)",1,,,,,,,,,,,,,,,,,,,,,
45,1,,172486-66140,, "TORSION SPRING,STOPR",1,,,,,,,,,,,,,,,,,,,,,
46,1,,172486-66150,, "PLATE,ROCK (GRAY:73)",1,,,,,,,,,,,,,,,,,,,,,
47,1,,172164-66170,, "KEY ASSY, CYLINDER",1,,,,,,,,,,,,,,,,,,,,,
48,1,,172164-66170,, "KEY ASSY, CYLINDER",1,,,,,,,,,,,,,,,,,,,,,
49,1,,22137-080000,, "WASHER 8, POLISHED",1,,,,,,,,,,,,,,,,,,,,,
50,1,,22137-100000,, "WASHER 10,POLISHED",2,,,,,,,,,,,,,,,,,,,,,
51,1,,22137-100000,, "WASHER 10,POLISHED",2,,,,,,,,,,,,,,,,,,,,,
52,1,,22137-100000,, "WASHER 10,POLISHED",1,,,,,,,,,,,,,,,,,,,,,
53,1,,22137-100000,, "WASHER 10,POLISHED",2,,,,,,,,,,,,,,,,,,,,,
54,1,,22137-100000,, "WASHER 10,POLISHED",2,,,,,,,,,,,,,,,,,,,,,
55,1,,1A1380-62160,, WASHER,1,,,,,,,,,,,,,,,,,,,,,
56,1,,22157-100000,, "WASHER 10",2,,,,,,,,,,,,,,,,,,,,,
57,1,,22157-100000,, "WASHER 10",2,,,,,,,,,,,,,,,,,,,,,
58,1,,22157-100000,, "WASHER 10",3,,,,,,,,,,,,,,,,,,,,,
59,1,,22157-100000,, "WASHER 10",2,,,,,,,,,,,,,,,,,,,,,
60,1,,22417-200200,, "COTTER PIN 2.0X20",2,,,,,,,,,,,,,,,,,,,,,
61,1,,22417-200200,, "COTTER PIN 2.0X20",2,,,,,,,,,,,,,,,,,,,,,
62,1,,22417-200200,, "COTTER PIN 2.0X20",2,,,,,,,,,,,,,,,,,,,,,
63,1,,26013-100202,, "BOLT W/WASHER M10X20",2,,,,,,,,,,,,,,,,,,,,,
64,1,,26013-100202,, "BOLT W/WASHER M10X20",2,,,,,,,,,,,,,,,,,,,,,
65,1,,26013-100202,, "BOLT W/WASHER M10X20",2,,,,,,,,,,,,,,,,,,,,,
66,1,,26013-100202,, "BOLT W/WASHER M10X20",2,,,,,,,,,,,,,,,,,,,,,

67,1,,26013-100252,, "BOLT W/WASHER M10X25",2,,,,,,,,,,,,,,,,,,,,,
68,1,,26013-100252,, "BOLT W/WASHER M10X25",2,,,,,,,,,,,,,,,,,,,,,
69,1,,26013-100252,, "BOLT W/WASHER M10X25",2,,,,,,,,,,,,,,,,,,,,,
70,1,,26013-100252,, "BOLT W/WASHER M10X25",2,,,,,,,,,,,,,,,,,,,,,
71,1,,26013-100252,, "BOLT W/WASHER M10X25",4,,,,,,,,,,,,,,,,,,,,,
72,1,,26013-100252,, "BOLT W/WASHER M10X25",2,,,,,,,,,,,,,,,,,,,,,
73,1,,26013-100252,, "BOLT W/WASHER M10X25",2,,,,,,,,,,,,,,,,,,,,,
74,1,,26014-080162,, "BOLT M 8X 16",3,,,,,,,,,,,,,,,,,,,,,
75,1,,26014-100202,, "BOLT M10X 20",4,,,,,,,,,,,,,,,,,,,,,
76,1,,26014-100202,, "BOLT M10X 20",3,,,,,,,,,,,,,,,,,,,,,
77,1,,26014-100202,, "BOLT M10X 20",2,,,,,,,,,,,,,,,,,,,,,
78,1,,26347-080002,, "U-NUT 8",1,,,,,,,,,,,,,,,,,,,,,
79,1,,26347-100002,, "U-NUT 10",2,,,,,,,,,,,,,,,,,,,,,
80,1,,172524-17330,, "KEY ASSY",2,,,,,,,,,,,,,,,,,,,,,
81,1,,172460-65840,, "SEAL,RUBBER",1,,,,,,,,,,,,,,,,,,,,,
82,1,,172460-65820,, SPONGY,1,,,,,,,,,,,,,,,,,,,,,
83,1,,172460-65830,, "RUBBER SEAL",1,,,,,,,,,,,,,,,,,,,,,
84,1,,172434-61200,, "TRIM 245",1,,,,,,,,,,,,,,,,,,,,,
85,1,,22137-080000,, "WASHER 8, POLISHED",1,,,,,,,,,,,,,,,,,,,,,
86,1,,22137-100000,, "WASHER 10,POLISHED",2,,,,,,,,,,,,,,,,,,,,,
87,1,,172486-65011,, "PLATE,GUARD",1,,,,,,,,,,,,,,,,,,,,,
88,1,,26013-100202,, "BOLT W/WASHER M10X20",2,,,,,,,,,,,,,,,,,,,,,

Silverhorn.CO.UK

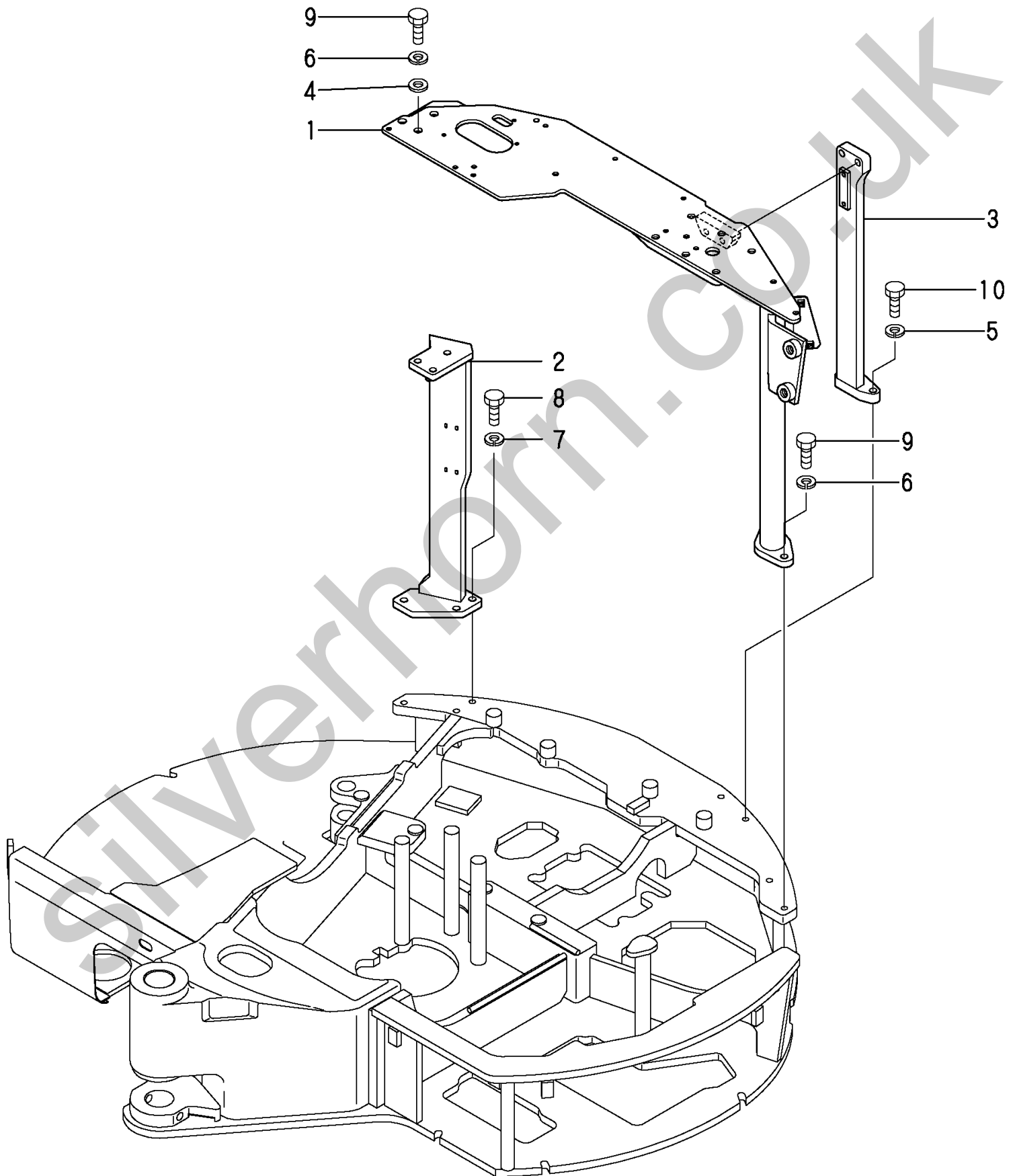
Fig. 25 BONNET



1,1,,172486-68200,, "MOUNT A (GRAY:73)",1,,,,,,,,,,,,,,,,,,,,,
2,1,,172486-68321,, "MOUNT B (GRAY:73)",1,,,,,,,,,,,,,,,,,,,,,
3,1,,172486-68370,, "MOUNT C (GRAY:73)",1,,,,,,,,,,,,,,,,,,,,,
4,1,,22137-140000,, "WASHER 14,POLISHED",3,,,,,,,,,,,,,,,,,,,,,
5,1,,22217-140000,, "SPRING WASHER 14",4,,,,,,,,,,,,,,,,,,,,,
6,1,,22217-140000,, "SPRING WASHER 14",5,,,,,,,,,,,,,,,,,,,,,
7,1,,22217-140000,, "SPRING WASHER 14",3,,,,,,,,,,,,,,,,,,,,,
8,1,,26116-140402,, "BOLT M14X 40 PLATED",3,,,,,,,,,,,,,,,,,,,,,
9,1,,26116-140402,, "BOLT M14X 40 PLATED",5,,,,,,,,,,,,,,,,,,,,,
10,1,,26116-140502,, "BOLT M14X 50",4,,,,,,,,,,,,,,,,,,,,,

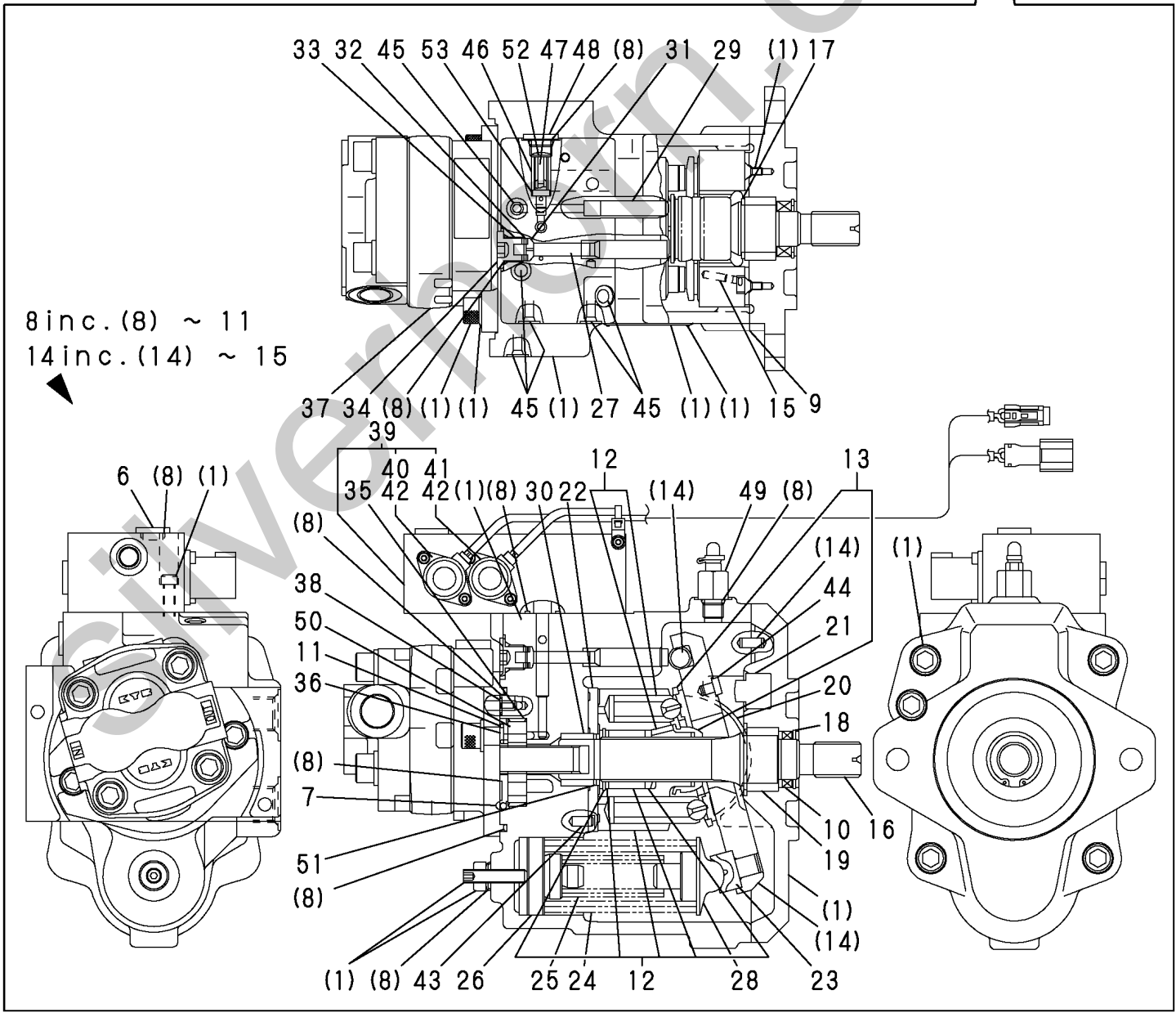
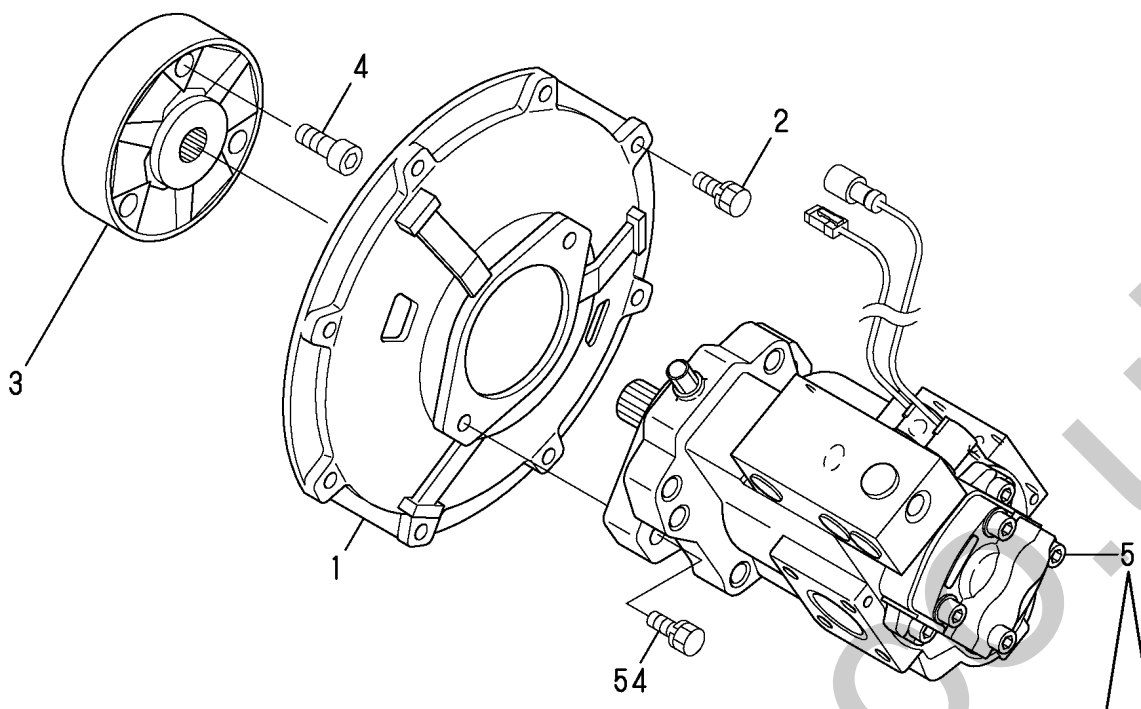
Silverhorn.CO.UK

Fig. **26** CANOPY MOUNT



1,1,,172168-71101-2,,,"COVER, FLYWHEEL (82)",1,,,,,,,,,,,,,
2,1,,26013-100302,,,"BOLT M10X 30",8,,,,,,,,,,,,,
3,1,,172165-71200,,,"COUPLING",1,,,,,,,,,,,,,
4,1,,26450-120402,,,"BOLT M12X 40",3,,,,,,,,,,,,,
5,1,,172460-73100,,,"PUMP ASSY",1,,,,,,,,,,,,,
6,2,,172148-70301,,,"PLUG",1,,,,,,,,,,,,,
7,2,,172122-70350,,,"BALL",1,,,,,,,,,,,,,
8,2,,172460-73110,,,"SEAL KIT",1,,,,,,,,,724960061,,,,,,,,,I
9,3,,172460-73170,,,"GASKET",1,,,,,,,,,,,,,
10,3,,172460-73190,,,"OIL SEAL",1,,,,,,,,,,,,,
11,3,,172460-73400,,,"O-RING",1,,,,,,,,,,,,,
12,2,,172460-73120,,,"CYLINDER BLOCK KIT",1,,,,,,,,,724600341,,,,,,,,,I
13,2,,172460-73130,,,"RETAINER",1,,,,,,,,,,,,,
14,2,,172460-73140,,,"PLATE",1,,,,,,,,,,,,,
15,3,,172312-74790,,,"ORIFICE",1,,,,,,,,,,,,,
16,2,,172460-73150,,,"SHAFT",1,,,,,,,,,,,,,
17,2,,172460-73160,,,"WASHER",1,,,,,,,,,,,,,
18,2,,172460-73180,,,"RING",1,,,,,,,,,,,,,
19,2,,172460-73200,,,"BEARING",1,,,,,,,,,,,,,
20,2,,172460-73210,,,"BUSH",2,,,,,,,,,,,,,
21,2,,172460-73220,,,"STOPPER",1,,,,,,,,,,,,,
22,2,,172460-73230,,,"PLATE",1,,,,,,,,,724600341,,,,,,,,,I
23,2,,172460-73240,,,"HOLDER",1,,,,,,,,,,,,,
24,2,,172460-73250,,,"SPRING",1,,,,,,,,,724600341,,,,,,,,,I
25,2,,172460-73260,,,"SPRING",1,,,,,,,,,724600341,,,,,,,,,I
26,2,,172460-73270,,,"SEAL",1,,,,,,,,,724960061,,,,,,,,,I
27,2,,172460-73280,,,"PIN",1,,,,,,,,,,,,,
28,2,,172176-73290,,,"SHEET, SPRING",1,,,,,,,,,,,,,
29,2,,172460-73290,,,"PIN",1,,,,,,,,,,,,,
30,2,,172460-73330,,,"BEARING",1,,,,,,,,,,,,,
31,2,,172460-73340,,,"STOPPER",1,,,,,,,,,,,,,
32,2,,172460-73350,,,"SPRING",3,,,,,,,,,,,,,
33,2,,172460-73360,,,"WASHER",1,,,,,,,,,,,,,
34,2,,172460-73370,,,"PLUG",1,,,,,,,,,,,,,
35,2,,172460-73380,,,"BUSH",1,,,,,,,,,,,,,
36,2,,172460-73390,,,"PLATE",1,,,,,,,,,,,,,
37,2,,172460-73410,,,"GEAR PUMP",1,,,,,,,,,,,,,
38,2,,172460-73420,,,"PIN",1,,,,,,,,,,,,,
39,2,,172460-73430,,,"VALVE S/A",1,,,,,,,,,,,,,
40,3,,172460-73900,,,"SOLENOID B",1,,,,,,,,,,,,,
41,3,,172460-73910,,,"SOLENOID A",1,,,,,,,,,,,,,
42,3,,24352-190110,,,"O-RING 2 19011",2,,,,,,,,,,,,,
43,2,,172122-73480,,,"PIN",1,,,,,,,,,,,,,
44,2,,172122-73480,,,"PIN",2,,,,,,,,,,,,,
45,2,,172452-73480,,,"PLUG",6,,,,,,,,,,,,,
46,2,,172176-73560,,,"SPRING",1,,,,,,,,,,,,,
47,2,,172176-73590,,,"SHIM",2,,,,,,,,,,,,,
48,2,,172176-73600,,,"PLUG",1,,,,,,,,,,,,,
49,2,,172176-73690,,,"BREEDER, AIR",1,,,,,,,,,,,,,
50,2,,172176-73880,,,"ROTOR ASSY, TROCHOID",1,,,,,,,,,,,,,
51,2,,172176-73910,,,"THRUST WASHER",2,,,,,,,,,,,,,
52,2,,172176-73930,,,"PIN",1,,,,,,,,,,,,,
53,2,,172176-73940,,,"POPPET",1,,,,,,,,,,,,,
54,1,,26013-120352,,,"BOLT M12X 35",2,,,,,,,,,,,,,

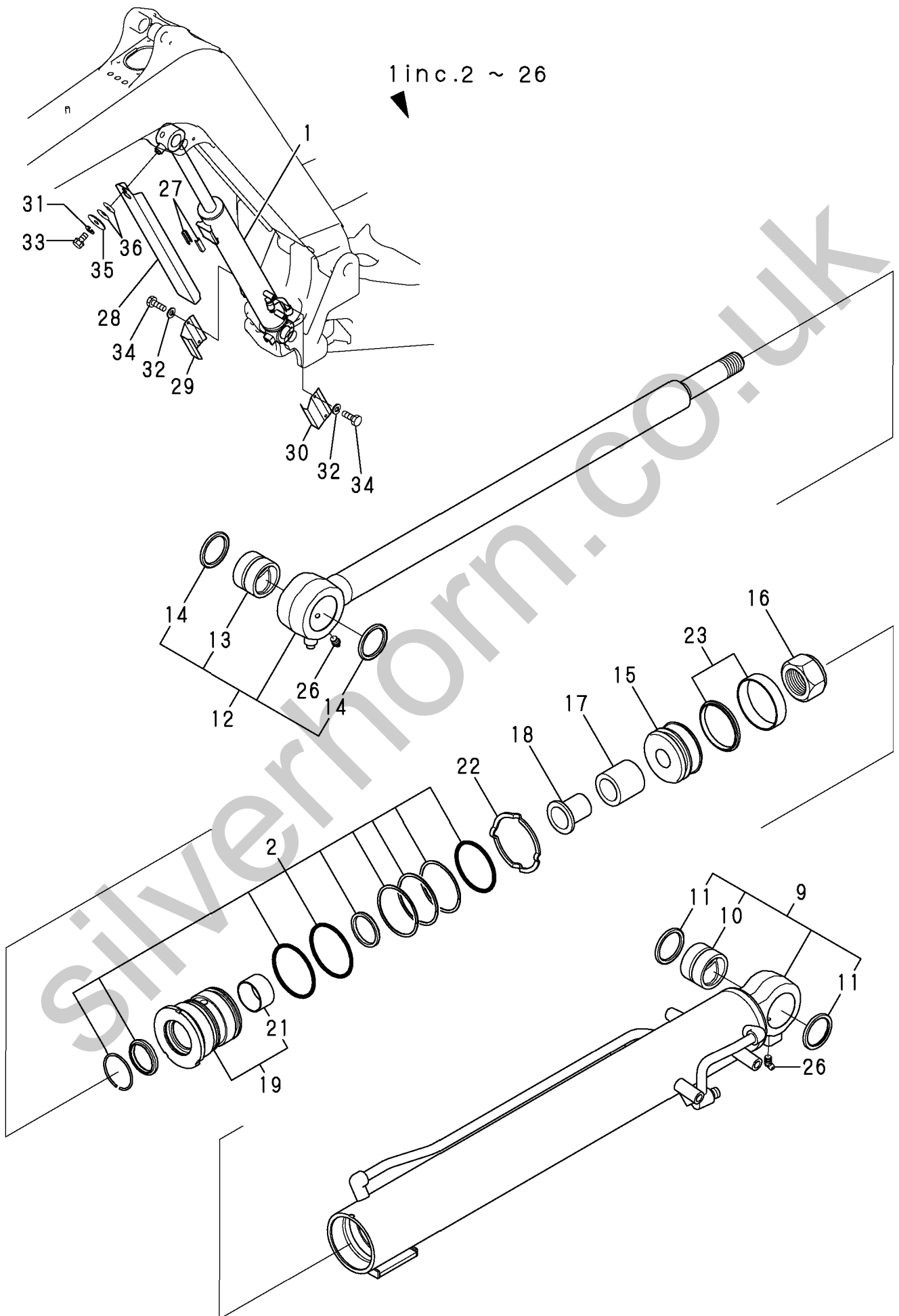
Fig. 27 HYD. OIL PUMP & JOINT



1,1,,172460-72321-1,, "CYLINDER,BOOM C (87)",1,,,,,,,,,,,,,
2,2,,172460-72010,, "SEAL SET",1,,,,,,,,,,,,,
9,2,,172460-72111-1,, "TUBE,BOOM(YELLOW:87)",1,,,,,,,,,,,,,
10,3,,172460-72180,, BUSH,1,,,,,,,,,,,,,
11,3,,172448-54120,, "SEAL 50X60X4,DUST",2,,,,,,,,,,,,,
12,2,,172460-72201,, ROD,1,,,,,,,,,,,,,
13,3,,172460-72180,, BUSH,1,,,,,,,,,,,,,
14,3,,172448-54120,, "SEAL 50X60X4,DUST",2,,,,,,,,,,,,,
15,2,,172460-72260,, PISTON,1,,,,,,,,,,,,,
16,2,,172151-72270,, "U-NUT M39",1,,,,,,,,,,,,,
17,2,,172460-72271,, PLANGER,1,,,,,,,,,,,,,
18,2,,172460-72280,, COLLER,1,,,,,,,,,,,,,
19,2,,172460-72330,, HEAD,1,,,,,,,,,,,,,
21,3,,172151-72540,, "BUSH 50 35, ROD",1,,,,,,,,,,,,,
22,2,,172444-72430,, "LOCK WASHER",1,,,,,,,,,,,,,
23,2,,172444-72890,, "PISTON SEAL SET",1,,,,,,,,,,,,,
26,2,,24761-020000,, "NIPPLE PT1/8,GREASE",2,,,,,,,,,,,,,
27,1,,172485-72340,, "GUIDE,SLIDE",2,,,,,,,,,,,,,
28,1,,172485-72810,, "COVER,SLIDE(YELLOR87)",1,,,,,,,,,,,,,
29,1,,172485-72820,, "COVER R,BOOM-CYL(87)",1,,,,,,,,,,,,,
30,1,,172485-72830,, "COVER L,BOOM-CYL(87)",1,,,,,,,,,,,,,
31,1,,22217-100000,, "SPRING WASHER 10",1,,,,,,,,,,,,,
32,1,,22217-100000,, "SPRING WASHER 10",4,,,,,,,,,,,,,
33,1,,26116-100162,, "BOLT M10X 16 PLATED",1,,,,,,,,,,,,,
34,1,,26116-100162,, "BOLT M10X 16 PLATED",4,,,,,,,,,,,,,
35,1,,933147-03400,, "WASHER, BRAKE ARM",1,,,,,,,,,,,,,
36,1,,933168-14170,, "SPRING 16",2,,,,,,,,,,,,,

Silverhorn.CO.UK

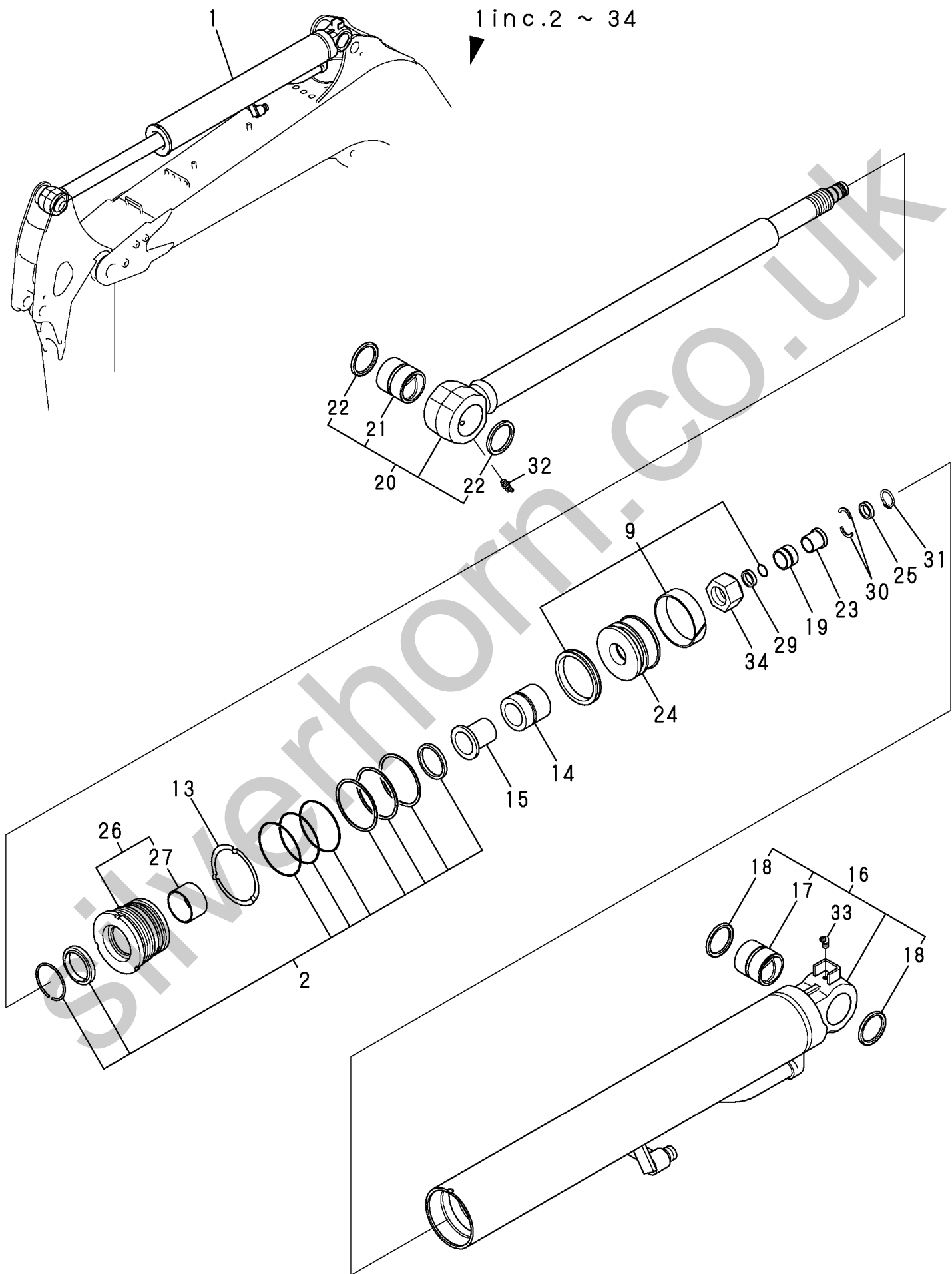
Fig. 28 BOOM CYLINDER



1,1,,172460-72350-1,, "CYLINDER,ARM (87)",1,,,,,,,,,,,,,,,,,
2,2,,172460-72020,, "SEAL SET",1,,,,,,,,,,,,,,,,,
9,2,,172460-72030,, "SEAL SET",1,,,,,,,,,,,,,,,,,
13,2,,172142-72260,, "WASHER 80 B",1,,,,,,,,,,,,,,,,,
14,2,,172460-72930,, PLUNGER,1,,,,,,,,,,,,,,,,,
15,2,,172458-72290,, "COLLAR 33 44,CUSHON",1,,,,,,,,,,,,,,,,,
16,2,,172460-72360-1,, "TUBE,ARM (YELLOW:87)",1,,,,,,,,,,,,,,,,,
17,3,,172151-72591,, "BUSH 50X60",1,,,,,,,,,,,,,,,,,
18,3,,172448-54120,, "SEAL 50X60X4,DUST",2,,,,,,,,,,,,,,,,,
19,2,,172460-72940,, PLUNGER,1,,,,,,,,,,,,,,,,,
20,2,,172460-72450,, "ROD,ARM",1,,,,,,,,,,,,,,,,,
21,3,,172151-72591,, "BUSH 50X60",1,,,,,,,,,,,,,,,,,
22,3,,172448-54120,, "SEAL 50X60X4,DUST",2,,,,,,,,,,,,,,,,,
23,2,,172458-72460,, "COLLAR 26 32,CUSHION",1,,,,,,,,,,,,,,,,,
24,2,,172422-72470,, PISTON,1,,,,,,,,,,,,,,,,,
25,2,,172458-72470,, "COVER,STOPPER",1,,,,,,,,,,,,,,,,,
26,2,,172460-72480,, HEAD,1,,,,,,,,,,,,,,,,,
27,3,,24550-045300,, BUSH,1,,,,,,,,,,,,,,,,,
29,2,,172423-72530,, SPACER,1,,,,,,,,,,,,,,,,,
30,2,,172423-72540,, STOPPER,2,,,,,,,,,,,,,,,,,
31,2,,22242-000260,, "CIRCLIP 26",1,,,,,,,,,,,,,,,,,
32,2,,24761-040000,, "NIPPLE B,GREASE",1,,,,,,,,,,,,,,,,,
33,2,,24761-050000,, "NIPPLE C,GREASE",1,,,,,,,,,,,,,,,,,
34,2,,933111-20200,, "U-NUT M33",1,,,,,,,,,,,,,,,,,

Silverhorn.CO.UK

Fig. 29 ARM CYLINDER

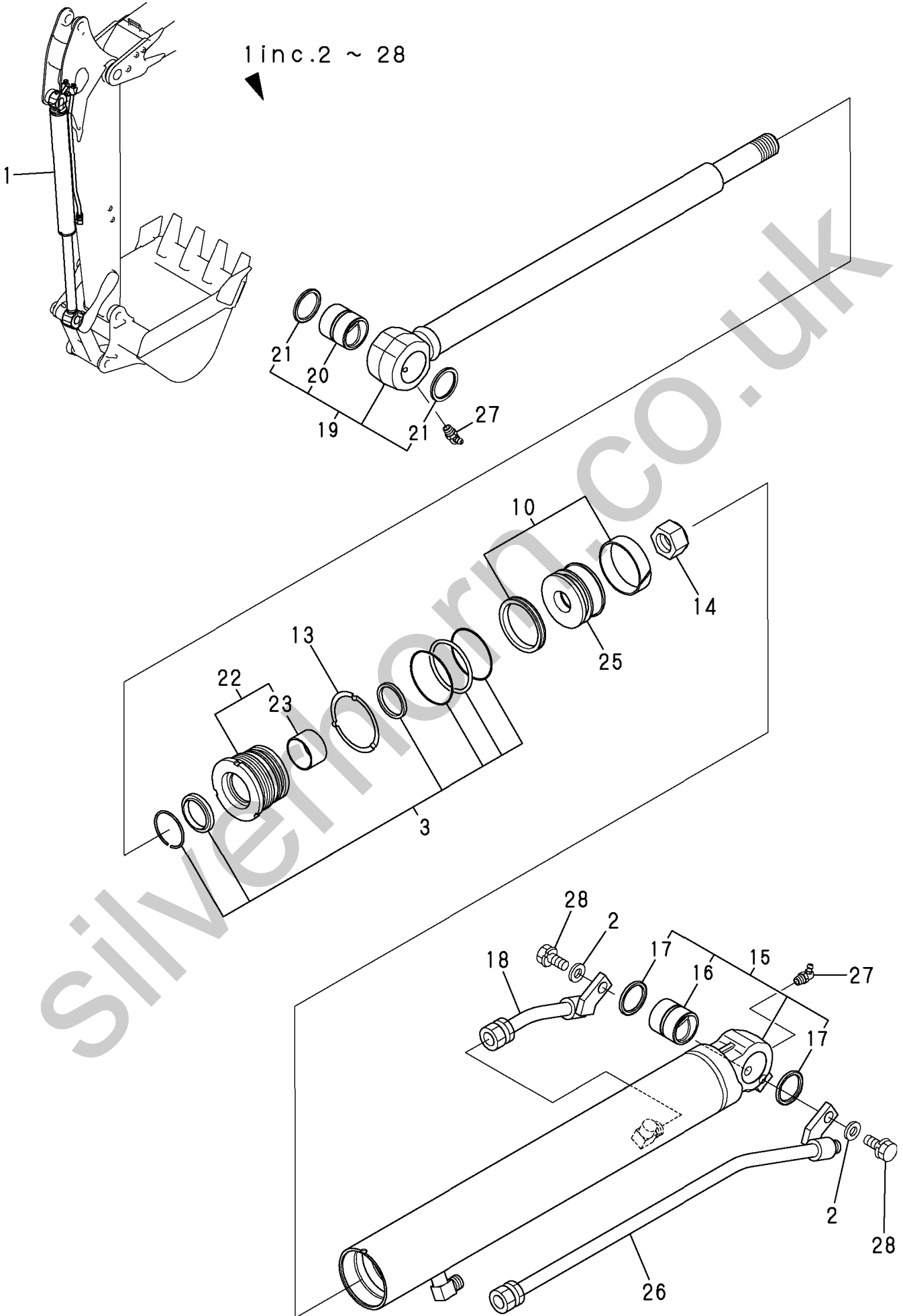


1,1,,172460-72600-1,, "CYLINDER, BUCKET (87)",1,,,,,,,,,,,,,,,,,,,,,
2,2,,194145-04810,, "WASHER 10",2,,,,,,,,,,,,,,,,,,,,,
3,2,,172460-72060,, "SEAL SET",1,,,,,,,,,,,,,,,,,,,,,
10,2,,172460-72070,, "SEAL SET",1,,,,,,,,,,,,,,,,,,,,,
13,2,,172141-72420,, "WASHER 70, LOCK",1,,,,,,,,,,,,,,,,,,,,,
14,2,,172175-72550,, U-NUT,1,,,,,,,,,,,,,,,,,,,,,
15,2,,172460-72610-1,, "TUBE, BUCKET (YELLOW87)",1,,,,,,,,,,,,,,,,,,,,,
16,3,,172165-72320,, "BUSH 45X40",1,,,,,,,,,,,,,,,,,,,,,
17,3,,172168-81410,, "SEAL 45X55X4, DUST",2,,,,,,,,,,,,,,,,,,,,,
18,2,,172460-72640,, "PIPE (YELLOW:87)",1,,,,,,,,,,,,,,,,,,,,,
19,2,,172460-72660,, "ROD, BUCKET",1,,,,,,,,,,,,,,,,,,,,,
20,3,,172151-72670,, "BUSH 45 50",1,,,,,,,,,,,,,,,,,,,,,
21,3,,172168-81410,, "SEAL 45X55X4, DUST",2,,,,,,,,,,,,,,,,,,,,,
22,2,,172460-72690,, HEAD,1,,,,,,,,,,,,,,,,,,,,,
23,3,,24550-045300,, BUSH,1,,,,,,,,,,,,,,,,,,,,,
25,2,,172421-72770,, "PISTON 70 30",1,,,,,,,,,,,,,,,,,,,,,
26,2,,172460-72840,, "PIPE (YELLOW:87)",1,,,,,,,,,,,,,,,,,,,,,
27,2,,24761-040000,, "NIPPLE B, GREASE",2,,,,,,,,,,,,,,,,,,,,,
28,2,,26013-100202,, "BOLT W/WASHER M10X20",2,,,,,,,,,,,,,,,,,,,,,

Silverhorn.CO.UK

Fig. 30 BUCKET CYLINDER

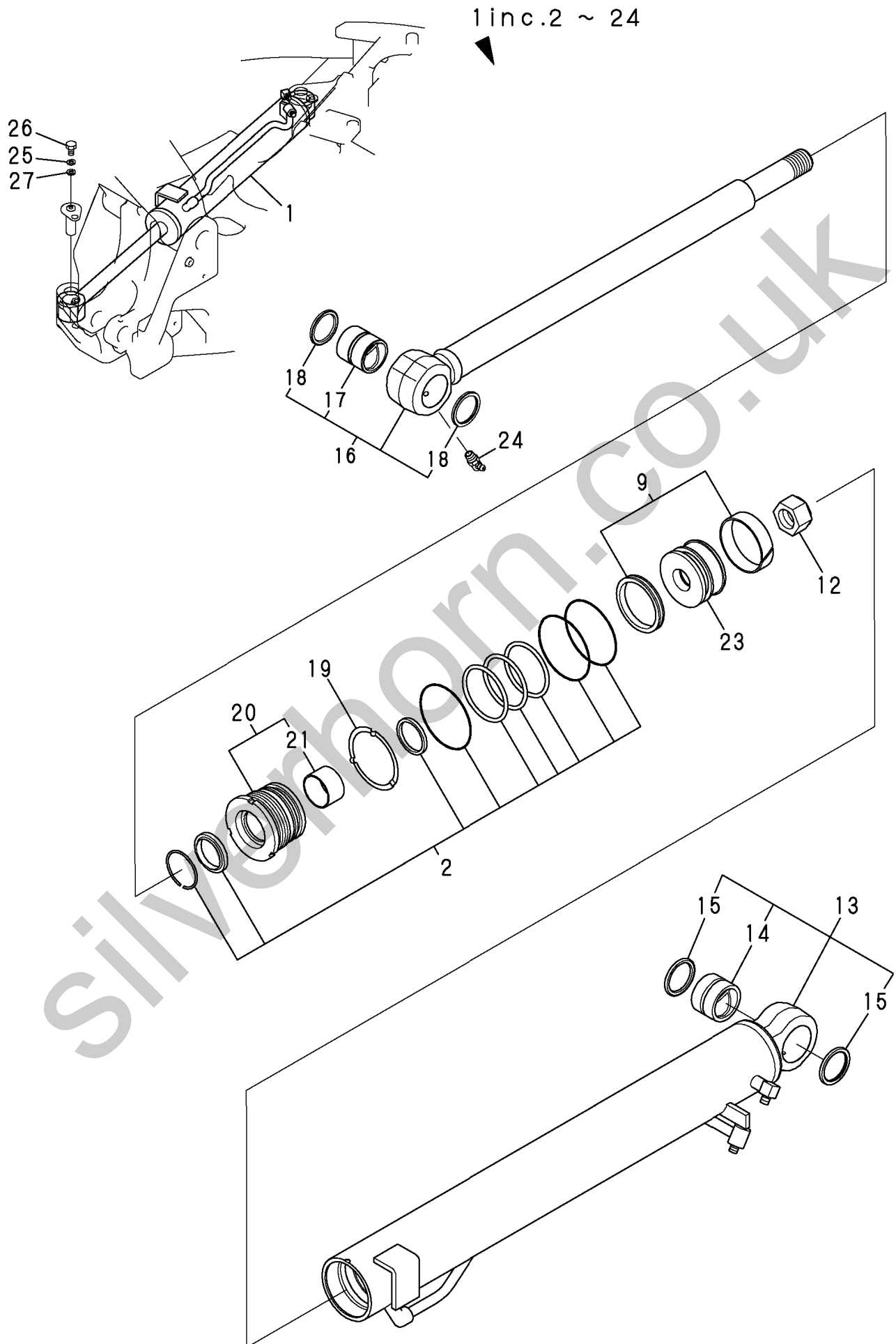
1 inc. 2 ~ 28



1,1,,172460-72750-1,, "CYLINDER, SWING (82)",1,.....
2,2,,172460-72040,, "SEAL SET",1,.....
9,2,,172460-72050,, "SEAL SET",1,.....
12,2,,933111-20200,, "U-NUT M33",1,.....
13,2,,172460-72760-1,, "TUBE, SWING(GREEN:82)",1,.....
14,3,,172458-72740,, "BUSH 40X40,SO",1,.....
15,3,,172448-72650,, "SEAL 40X50X4,DUST",2,.....
16,2,,172460-72850,, "ROD, SWING",1,.....
17,3,,172165-72310,, "BUSH 40X40",1,.....
18,3,,172448-72650,, "SEAL 40X50X4,DUST",2,.....
19,2,,172151-72870,, "LOCK WASHER 90",1,.....
20,2,,172460-72880,, "HEAD",1,.....
21,3,,24550-045300,, "BUSH",1,.....
23,2,,172460-72900,, "PISTON",1,.....
24,2,,24761-050000,, "NIPPLE C,GREASE",1,.....
25,1,,22217-100000,, "SPRING WASHER 10",1,.....
26,1,,26116-100162,, "BOLT M10X 16 PLATED",1,.....
27,1,,22157-100000,, "WASHER 10",1,.....

Silverhorn.CO.UK

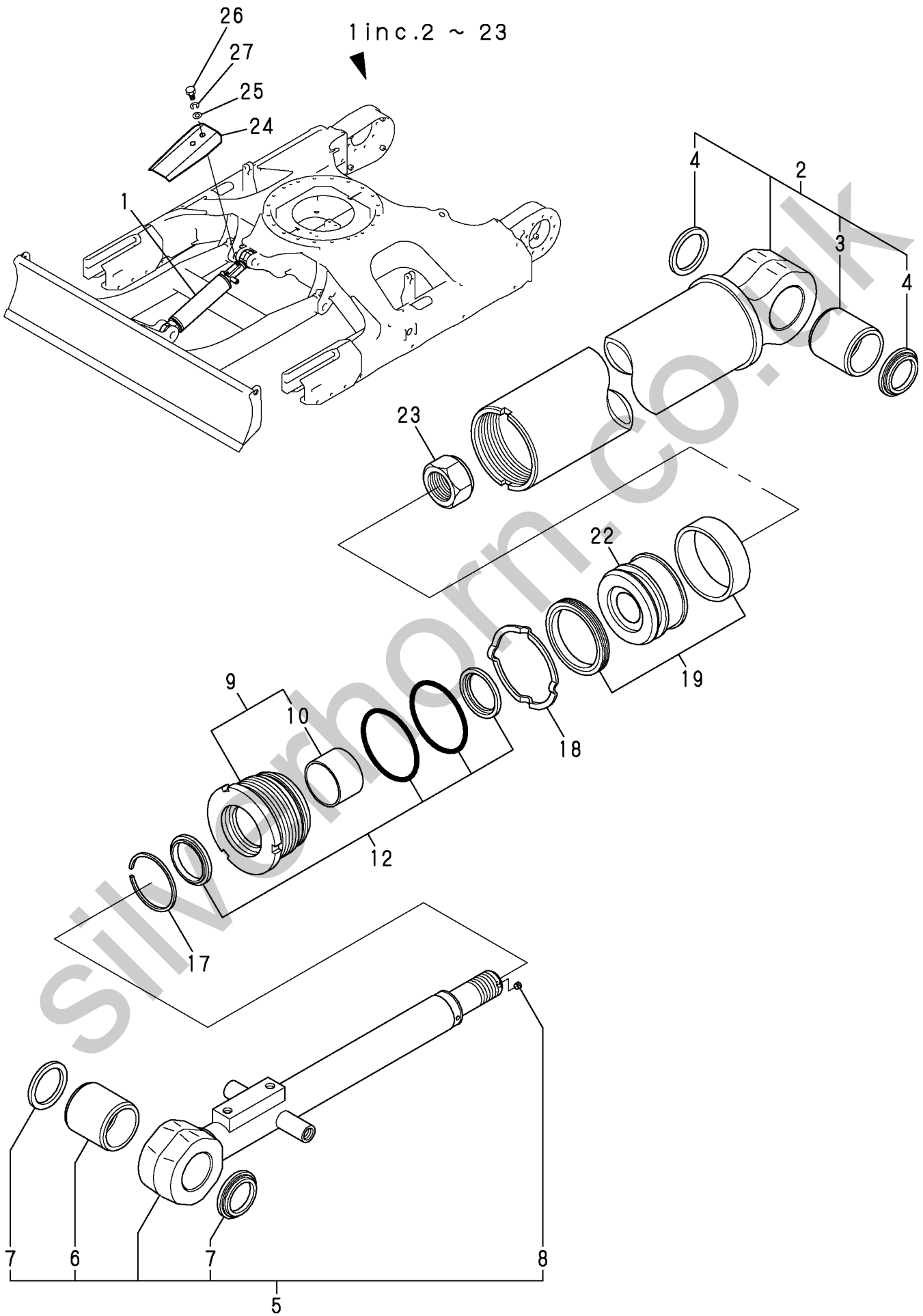
Fig. 31 SWING CYLINDER



1,1,,172423-72701-2,, "CYLINDER,BRADE (82)",1,,,,,,,,,,,,,,,,,
2,2,,172423-72710-1,, "TUBE,BLADE(GREEN:82)",1,,,,,,,,,,,,,,,,,
3,3,,172151-72670,, "BUSH 45 50",1,,,,,,,,,,,,,,,,,
4,3,,172168-81410,, "SEAL 45X55X4, DUST",2,,,,,,,,,,,,,,,,,
5,2,,172423-72731,, "ROD ASSY, BLADE",1,,,,,,,,,,,,,,,,,
6,3,,172151-72670,, "BUSH 45 50",1,,,,,,,,,,,,,,,,,
7,3,,172168-81410,, "SEAL 45X55X4, DUST",2,,,,,,,,,,,,,,,,,
8,3,,23871-010000,, "PLUG PT1/8,SCREW",1,,,,,,,,,,,,,,,,,
9,2,,172151-71590,, "HEAD 90 50",1,,,,,,,,,,,,,,,,,
10,3,,172151-72540,, "BUSH 50 35, ROD",1,,,,,,,,,,,,,,,,,
12,2,,172151-71880,, "SEAL SET, HEAD",1,,,,,,,,,,,,,,,,,
17,2,,933111-26700,, "RING 65, SPRING",1,,,,,,,,,,,,,,,,,
18,2,,172151-72870,, "LOCK WASHER 90",1,,,,,,,,,,,,,,,,,
19,2,,172460-72050,, "SEAL SET",1,,,,,,,,,,,,,,,,,
22,2,,172423-72800,, "PISTON 90",1,,,,,,,,,,,,,,,,,
23,2,,172151-72580,, "U-NUT M36",1,,,,,,,,,,,,,,,,,
24,1,,172485-72670,, "COVER,BLADE(GREEN:82)",1,,,,,,,,,,,,,,,,,
25,1,,22137-120000,, "WASHER 12,POLISHED",2,,,,,,,,,,,,,,,,,
26,1,,26116-120252,, "BOLT M12X 25 PLATED",2,,,,,,,,,,,,,,,,,
27,1,,22217-120000,, "SPRING WASHER",2,,,,,,,,,,,,,,,,,

Silverhorn.CO.UK

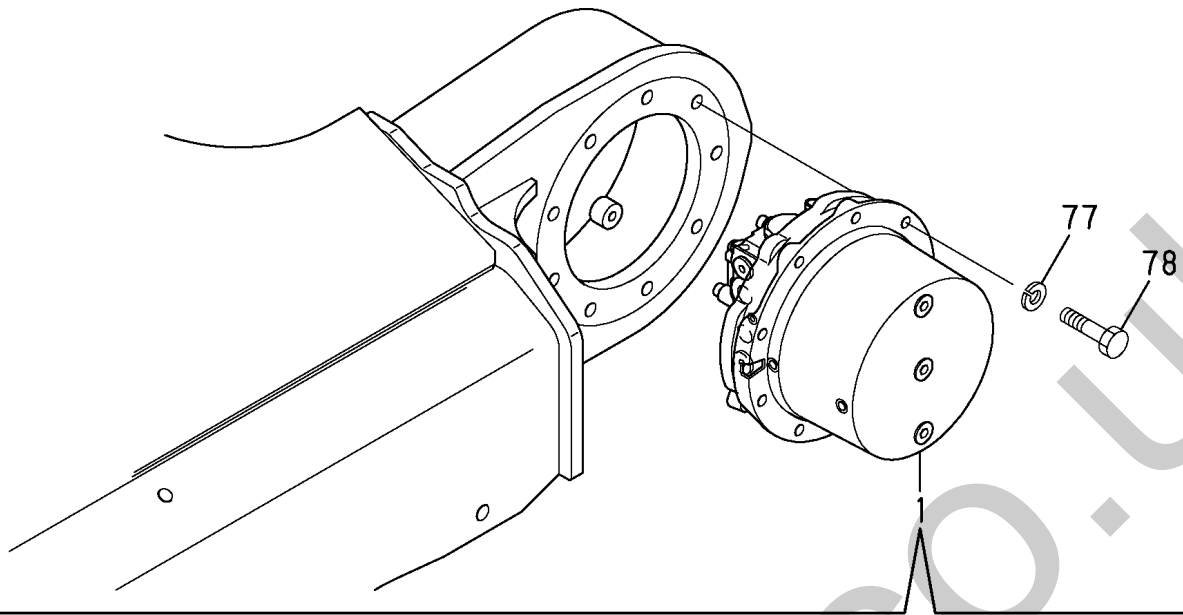
Fig. 32 BLADE CYLINDER



1,1,,172460-73300,, "TRAVEL MOTOR",2,,,,,,,,,,,,,,,,,,,,,
2,2,,172147-70360,, SPRING,4,,,,,,,,,,,,,,,,,,,,,
3,2,,172147-70370,, "PLATE VALVE",2,,,,,,,,,,,,,,,,,,,,,
4,2,,172147-70390,, "BALL BEARING",2,,,,,,,,,,,,,,,,,,,,,
5,2,,172122-70410,, PIN,4,,,,,,,,,,,,,,,,,,,,,
6,2,,172122-70460,, "SPRING SEAT",4,,,,,,,,,,,,,,,,,,,,,
7,2,,172147-70500,, PLUG,6,,,,,,,,,,,,,,,,,,,,,
8,2,,172147-70520,, PLUG,2,,,,,,,,,,,,,,,,,,,,,
9,2,,172147-70540,, "HEAD BOLT, SOCKET",12,,,,,,,,,,,,,,,,,,,,,
10,2,,172122-73470,, PIN,2,,,,,,,,,,,,,,,,,,,,,
11,2,,172423-73470,, SHAFT,2,,,,,,,,,,,,,,,,,,,,,
12,2,,172423-73480,, BEARING,2,,,,,,,,,,,,,,,,,,,,,
13,2,,172460-73500,, "REDUCTION GEAR",2,,,,,,,,,,,,,,,,,,,,,
14,3,,172124-70010,, BEARING,2,,,,,,,,,,,,,,,,,,,,,
15,3,,172124-70030,, BALL,198,,,,,,,,,,,,,,,,,,,,,
16,3,,172124-70050,, "RING NUT",2,,,,,,,,,,,,,,,,,,,,,
17,3,,172147-70070,, PLATE,2,,,,,,,,,,,,,,,,,,,,,
18,3,,172147-70090,, "SNAP RING",2,,,,,,,,,,,,,,,,,,,,,
19,3,,172141-70110,, SCREW,8,,,,,,,,,,,,,,,,,,,,,
20,3,,172147-70110,, "GEAR(A), PLANETARY",6,,,,,,,,,,,,,,,,,,,,,
21,3,,172147-70120,, "GAUGE & ROLLER",6,,,,,,,,,,,,,,,,,,,,,
22,3,,172147-70210,, WIRE,2,,,,,,,,,,,,,,,,,,,,,
23,3,,172423-73330,, PLUG,4,,,,,,,,,,,,,,,,,,,,,
24,3,,172423-73340,, GEAR,8,,,,,,,,,,,,,,,,,,,,,
25,3,,172423-73350,, BEARING,8,,,,,,,,,,,,,,,,,,,,,
26,3,,172423-73360,, LATHE,8,,,,,,,,,,,,,,,,,,,,,
27,3,,172423-73370,, WASHER,8,,,,,,,,,,,,,,,,,,,,,
28,3,,172423-73380,, GEAR,2,,,,,,,,,,,,,,,,,,,,,
29,3,,172423-73410,, LATHE,6,,,,,,,,,,,,,,,,,,,,,
30,3,,172122-73430,, PLUG,4,,,,,,,,,,,,,,,,,,,,,
31,3,,172460-73510,, HOLDER,2,,,,,,,,,,,,,,,,,,,,,
32,3,,172460-73530,, GEAR,2,,,,,,,,,,,,,,,,,,,,,
33,3,,172460-73540,, COVER,2,,,,,,,,,,,,,,,,,,,,,
34,3,,172460-73600,, "SEAL KIT",2,,,,,,,,,,,,,,,,,,,,,
35,4,,172147-70020,, SEAL,2,,,,,,,,,,,,,,,,,,,,,
36,4,,24315-000110,, "O-RING 1B P-11.0",6,,,,,,,,,,,,,,,,,,,,,
37,4,,172147-70200,, O-RING,2,,,,,,,,,M,,,,,,,,,I
37-1,4,,172423-73690,, O-RING,2,,,,,,,,,I
38,3,,172460-73620,, FRAMGE,2,,,,,,,,,,,,,,,,,,,,,
40,3,,172460-73630,, PLATE,2,,,,,,,,,,,,,,,,,,,,,
44,3,,172183-73770,, PLUG,6,,,,,,,,,,,,,,,,,,,,,
45,2,,172423-73510,, BOLL,4,,,,,,,,,,,,,,,,,,,,,
46,2,,172460-73550,, PLATE,2,,,,,,,,,,,,,,,,,,,,,
47,2,,172460-73560,, SPRING,4,,,,,,,,,,,,,,,,,,,,,
48,2,,172460-73570,, CAP,4,,,,,,,,,,,,,,,,,,,,,
49,2,,172460-73580,, VALVE,2,,,,,,,,,,,,,,,,,,,,,
50,3,,172460-73520,, "HEAD BOLT",6,,,,,,,,,,,,,,,,,,,,,
51,2,,172460-73590,, PLUG,4,,,,,,,,,,,,,,,,,,,,,
52,2,,172423-73600,, SPRING,2,,,,,,,,,,,,,,,,,,,,,
53,2,,172460-73610,, "SEAL KIT",2,,,,,,,,,,,,,,,,,,,,,
54,3,,172423-73490,, "OIL SEAL",2,,,,,,,,,,,,,,,,,,,,,
55,3,,172423-73560,, O-RING,2,,,,,,,,,,,,,,,,,,,,,
56,3,,24315-000070,, "O-RING 1B P-7.0",6,,,,,,,,,,,,,,,,,,,,,
57,3,,24315-000080,, "O-RING 1B P-8.0",4,,,,,,,,,,,,,,,,,,,,,
58,3,,24315-000140,, "O-RING 1B P-14.0",8,,,,,,,,,,,,,,,,,,,,,
59,3,,24315-000290,, "O-RING 1B P-29.0",4,,,,,,,,,,,,,,,,,,,,,
60,3,,24315-000100,, "O-RING 1B P-10.0",4,,,,,,,,,,,,,,,,,,,,,
61,2,,172460-73640,, "PLATE KIT",2,,,,,,,,,,,,,,,,,,,,,
62,3,,172147-70220,, PLUG,4,,,,,,,,,,,,,,,,,,,,,
63,3,,172148-70340,, ORIFICE,8,,,,,,,,,,,,,,,,,,,,,
65,3,,172312-74790,, ORIFICE,8,,,,,,,,,,,,,,,,,,,,,
66,2,,172423-73650,, "BROCK KIT",2,,,,,,,,,,,,,,,,,,,,,
76,2,,23871-020000,, "PLUG PT1/4, SCREW",2,,,,,,,,,,,,,,,,,,,,,

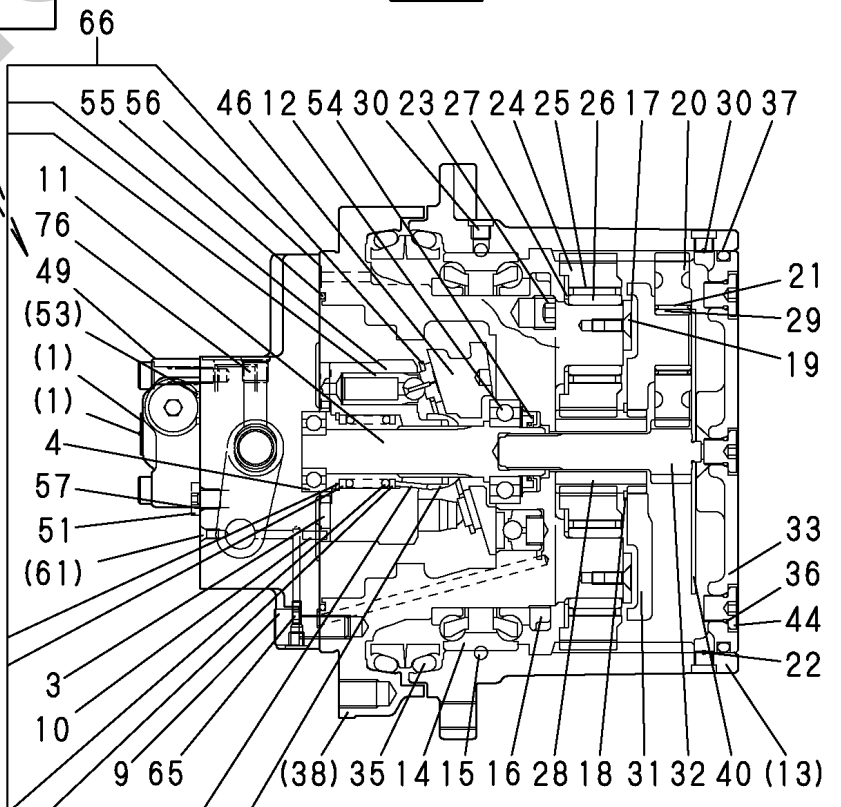
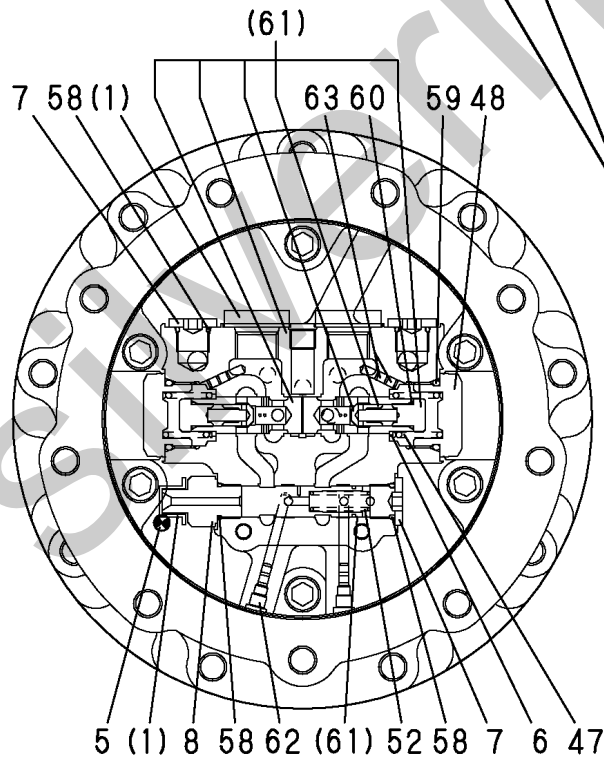
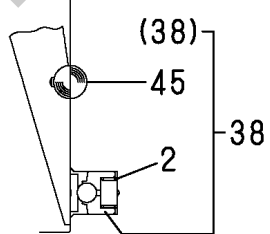
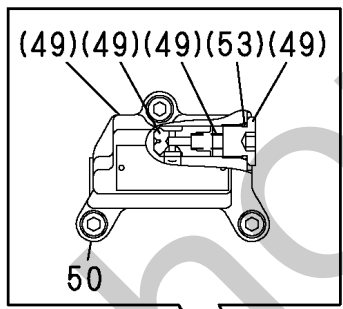
77,1,,22217-140000,, "SPRING WASHER 14",18,,,,,,,,,,,,,,,,,,,,,
78,1,,172455-29140,, "BOLT 14X35",18,,,,,,,,,,,,,,,,,,,,,

Silverhorn.CO.UK



13 inc.(13) ~ 44
 34 inc.35 ~ 37

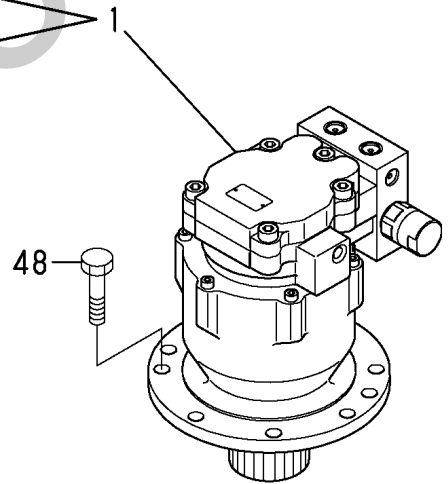
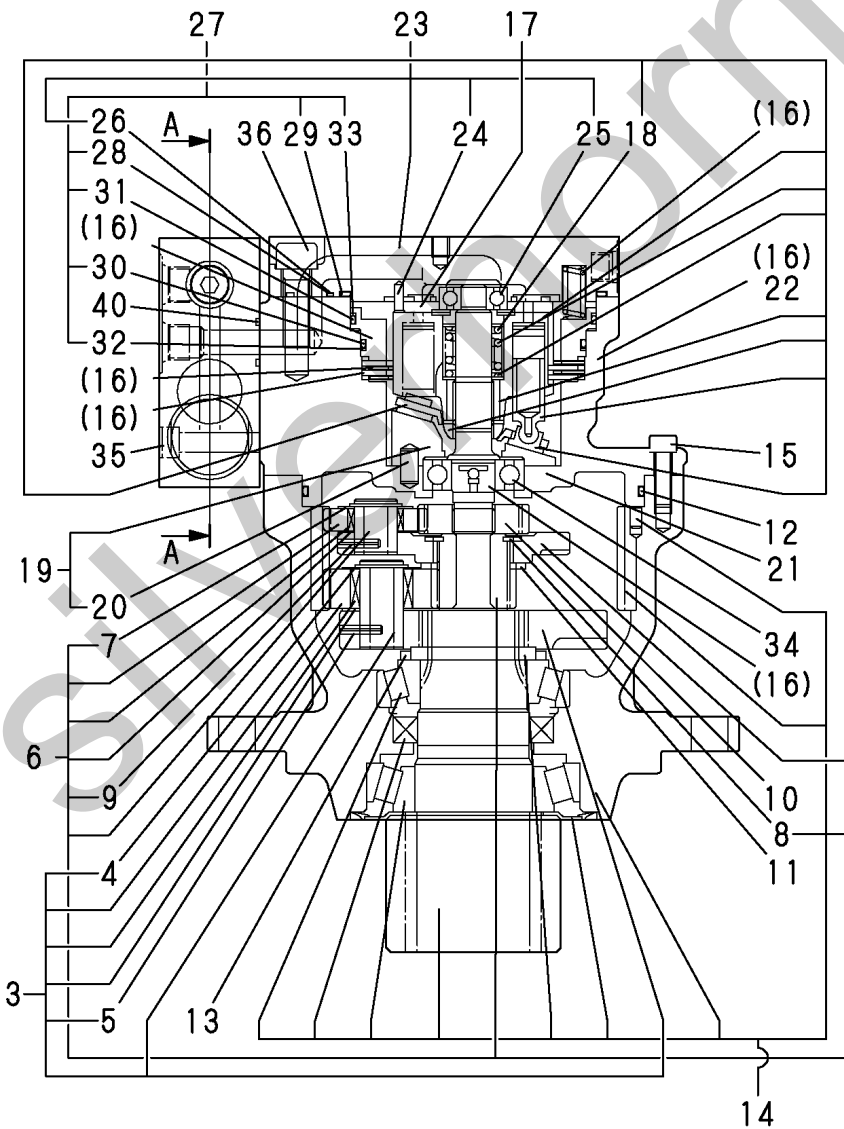
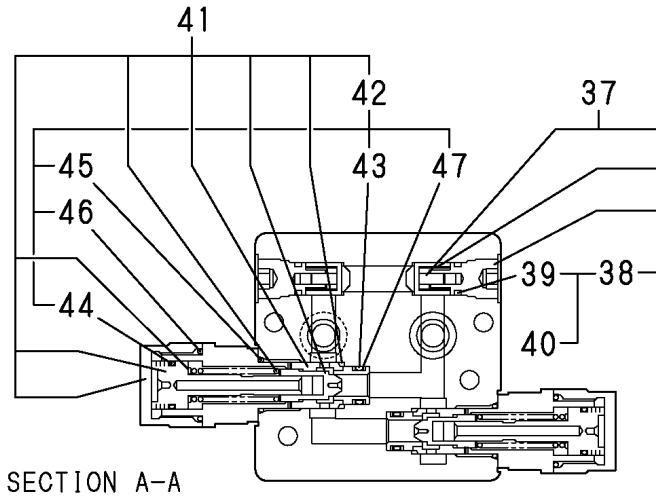
53 inc.(53) ~ 60
 61 inc.(61) ~ 65



1,1,,172485-73310,, "MOTOR ASSY,SWING",1,,,,,,,,,,,,,,,,,,,,,
2,2,,172460-73700,, "REDUCTION GEAR",1,,,,,,,,,,,,,,,,,,,,,
3,3,,172425-73410,, "CARRIER 1 KIT",1,,,,,,,,,,,,,,,,,,,,,
4,4,,22242-000200,, "CIRCLIP 20",4,,,,,,,,,,,,,,,,,,,,,
5,4,,22351-040020,, "SPRING PIN 4X20",4,,,,,,,,,,,,,,,,,,,,,
6,3,,172425-73420,, "CARRIER 2 KIT",1,,,,,,,,,,,,,,,,,,,,,
7,4,,22242-000200,, "CIRCLIP 20",3,,,,,,,,,,,,,,,,,,,,,
8,4,,22242-000300,, "CIRCLIP 30",1,,,,,,,,,,,,,,,,,,,,,
9,4,,22351-040020,, "SPRING PIN 4X20",3,,,,,,,,,,,,,,,,,,,,,
10,3,,172460-73790,, GEAR,1,,,,,,,,,,,,,,,,,,,,,
11,3,,172425-73490,, COLLER,1,,,,,,,,,,,,,,,,,,,,,
12,3,,172425-73510,, O-RING,1,,,,,,,,,,,,,,,,,,,,,
13,3,,172425-73520,, RING,1,,,,,,,,,,,,,,,,,,,,,
14,3,,172460-73710,, PINION,1,,,,,,,,,,,,,,,,,,,,,
15,3,,26450-080252,, "BOLT M 8X 25",6,,,,,,,,,,,,,,,,,,,,,
16,2,,172460-73720,, HYD.MOTOR,1,,,,,,,,,,,,,,,,,,,,,
17,3,,172425-73440,, "BARREL KIT",1,,,,,,,,,,,,,,,,,,,,,
18,4,,22252-000280,, "CIRCLIP 28",1,,,,,,,,,,,,,,,,,,,,,
19,3,,172425-73450,, "PLATE KIT",1,,,,,,,,,,,,,,,,,,,,,
20,4,,172425-73550,, PIN,1,,,,,,,,,,,,,,,,,,,,,
21,3,,172425-73530,, FILDER,2,,,,,,,,,,,,,,,,,,,,,
22,3,,172425-73540,, PIN,1,,,,,,,,,,,,,,,,,,,,,
23,3,,172460-73730,, "BODY H KIT",1,,,,,,,,,,,,,,,,,,,,,
24,4,,22351-050012,, "PIN 5X12,SPRING",1,,,,,,,,,,,,,,,,,,,,,
25,4,,24101-062010,, "BALL BEARING",2,,,,,,,,,,,,,,,,,,,,,
26,4,,24315-000180,, "O-RING 1B P-18.0",2,,,,,,,,,,,,,,,,,,,,,
27,3,,172460-73740,, "SEAL KIT",1,,,,,,,,,,,,,,,,,,,,,
28,4,,24315-000180,, "O-RING 1B P-18.0",1,,,,,,,,,,,,,,,,,,,,,
29,4,,24325-001200,, "O-RING BG120.0",1,,,,,,,,,,,,,,,,,,,,,
30,4,,24325-001000,, "O-RING 1B G-100.0",1,,,,,,,,,,,,,,,,,,,,,
31,4,,24325-001100,, "O-RING 1B G110",1,,,,,,,,,,,,,,,,,,,,,
32,4,,24376-001000,, "BACKUP RING T3 G100",1,,,,,,,,,,,,,,,,,,,,,
33,4,,24376-001100,, "BACKUP RING T3 G110",1,,,,,,,,,,,,,,,,,,,,,
34,3,,24105-062044,, "BALL BEARING",1,,,,,,,,,,,,,,,,,,,,,
35,3,,26450-080502,, "BOLT 8X50",4,,,,,,,,,,,,,,,,,,,,,
36,3,,26450-120352,, "BOLT M12X 35",5,,,,,,,,,,,,,,,,,,,,,
37,2,,172460-73750,, VALVE,1,,,,,,,,,,,,,,,,,,,,,
38,3,,172460-73760,, "SEAL KIT",1,,,,,,,,,,,,,,,,,,,,,
39,4,,24315-000110,, "O-RING 1B P-11.0",2,,,,,,,,,,,,,,,,,,,,,
40,4,,24315-000180,, "O-RING 1B P-18.0",2,,,,,,,,,,,,,,,,,,,,,
41,2,,172460-73770,, VALVE,2,,,,,,,,,,,,,,,,,,,,,
42,3,,172460-73780,, "SEAL KIT",2,,,,,,,,,,,,,,,,,,,,,
43,4,,24315-000140,, "O-RING 1B P-14.0",2,,,,,,,,,,,,,,,,,,,,,
44,4,,24315-000180,, "O-RING 1B P-18.0",2,,,,,,,,,,,,,,,,,,,,,
45,4,,24315-000220,, "O-RING 1B P-22.0",2,,,,,,,,,,,,,,,,,,,,,
46,4,,24315-000280,, "O-RING 1B P-28.0",2,,,,,,,,,,,,,,,,,,,,,
47,4,,24372-000140,, RING,4,,,,,,,,,,,,,,,,,,,,,
48,1,,26076-160452,, BOLT,9,,,,,,,,,,,,,,,,,,,,,

Fig. 34 TURNING MOTOR

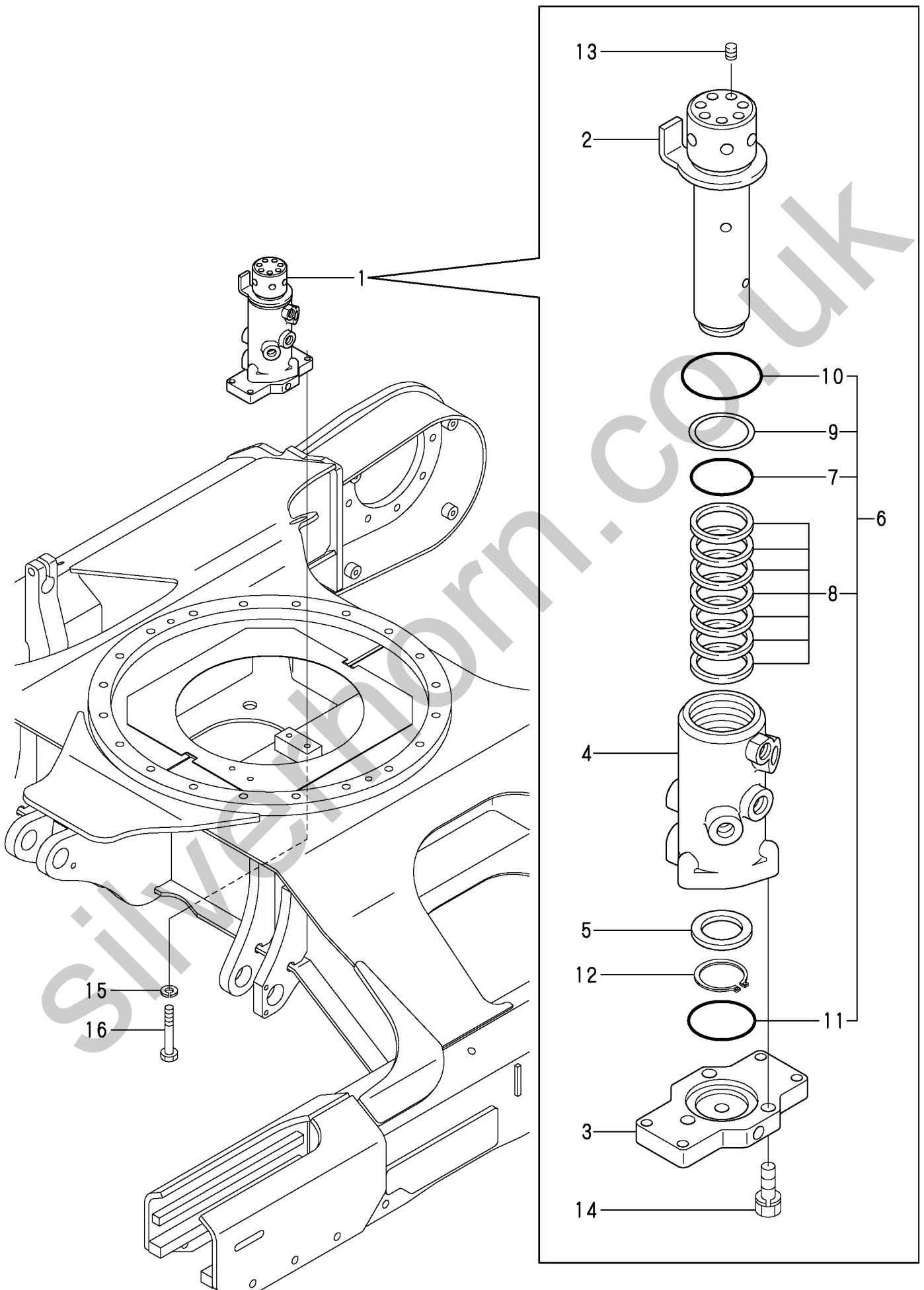
2 inc. 3 ~ 15
 16 inc. (16) ~ 36



1,1,,172444-73802,, "JOINT ASSY, SWIVEL",1,,,,,,,,,,,,,
2,2,,172444-73810,, "SHAFT, SWIVEL",1,,,,,,,,,,,,,
3,2,,172444-73840,, "FLANGE, SWIVEL",1,,,,,,,,,,,,,
4,2,,172444-73831,, "HUB, SWIVEL",1,,,,,,,,,,,,,
5,2,,172137-73860,, "SPACER, SWIVEL",1,,,,,,,,,,,,,
6,2,,172444-73880,, "SEAL KIT,SWIVEL",1,,,,,,,,,,,,,
7,3,,172142-73800,, "O-RING 55.76X5.7",1,,,,,,,,,,,,,
8,3,,172458-73820,, "SEAL, SWIVEL",7,,,,,,,,,,,,,
9,3,,172148-73870,, "LING EL, BUCK UP",1,,,,,,,,,,,,,
10,3,,24311-000750,, "O-RING 1A P-75.0",1,,,,,,,,,,,,,
11,3,,24321-000700,, "O-RING 1A G70.0,NBR",1,,,,,,,,,,,,,
12,2,,22242-000451,, "CIRCLIP 45",1,,,,,,,,,,,,,
13,2,,23871-020000,, "PLUG PT1/4,SCREW",7,,,,,,,,,,,,,
14,2,,26013-100352,, "BOLT M10X 35",3,,,,,,,,,,,,,
15,1,,22217-100000,, "SPRING WASHER 10",4,,,,,,,,,,,,,
16,1,,26116-100652,, "BOLT M10X 65 PLATED",4,,,,,,,,,,,,,

Silverhorn.CO.UK

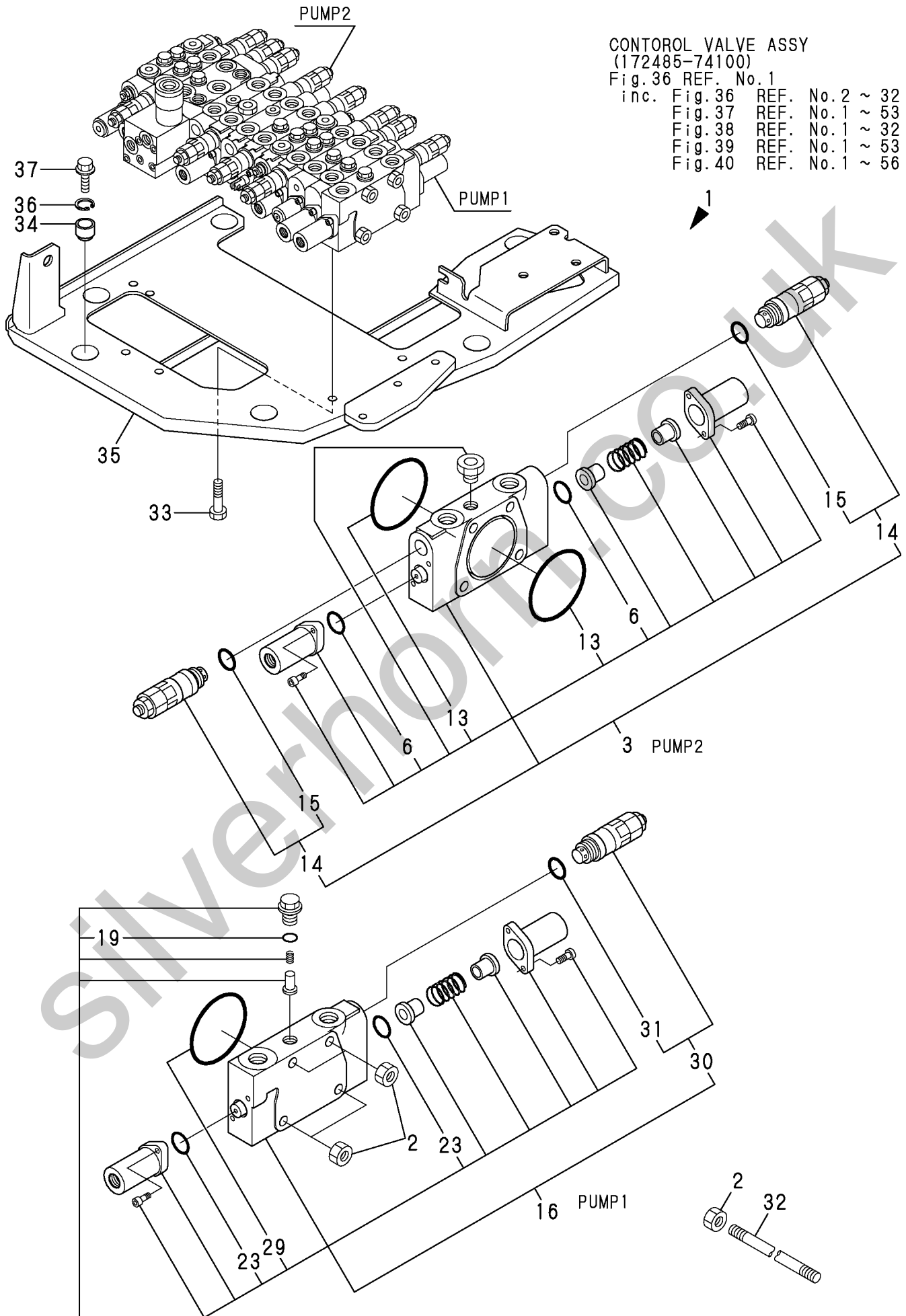
Fig. **35** SWIVEL JOINT



1,1,,172485-74100,, "VALVE ASSY,CONTROL",1,,,,,,,,,,,,,
2,2,,172422-74110,, NUT,8,,,,,,,,,,,,,
3,2,,172460-74140,, "INLET SECTION",1,,,,,,,,,,,,,
6,4,,172422-74220,, O-RING,2,,,,,,,,,,,,,
13,4,,172460-74370,, O-RING,2,,,,,,,,,,,,,
14,3,,172460-74310,, "MAIN RELIFE",2,,,,,,,,,,,,,
15,4,,172116-74150,, O-RING,2,,,,,,,,,,,,,
16,2,,172460-74210,, "BOOM 2 SECTION",1,,,,,,,,,,,,,
19,4,,24315-000110,, "O-RING 1B P-11.0",1,,,,,,,,,,,,,
23,4,,172422-74220,, O-RING,2,,,,,,,,,,,,,
29,4,,172460-74370,, O-RING,1,,,,,,,,,,,,,
30,3,,172460-74310,, "MAIN RELIFE",1,,,,,,,,,,,,,
31,4,,172116-74150,, O-RING,1,,,,,,,,,,,,,
32,2,,172467-74130,, TIE-ROD,4,,,,,,,,,,,,,
33,1,,26013-100162,, "BOLT M10X 16",3,,,,,,,,,,,,,
34,1,,172165-45490,, CUSHION,6,,,,,,,,,,,,,
35,1,,172460-45601,, "PLATE (GRAY:72)",1,,,,,,,,,,,,,
36,1,,22252-000280,, "CIRCLIP 28",6,,,,,,,,,,,,,
37,1,,26106-100352,, "BOLT M10X 35 PLATED",6,,,,,,,,,,,,,

Silverhorn.CO.UK

Fig. 36 CONTROL VALVE (P PORT)



CONTROL VALVE ASSY
(172485-74100)

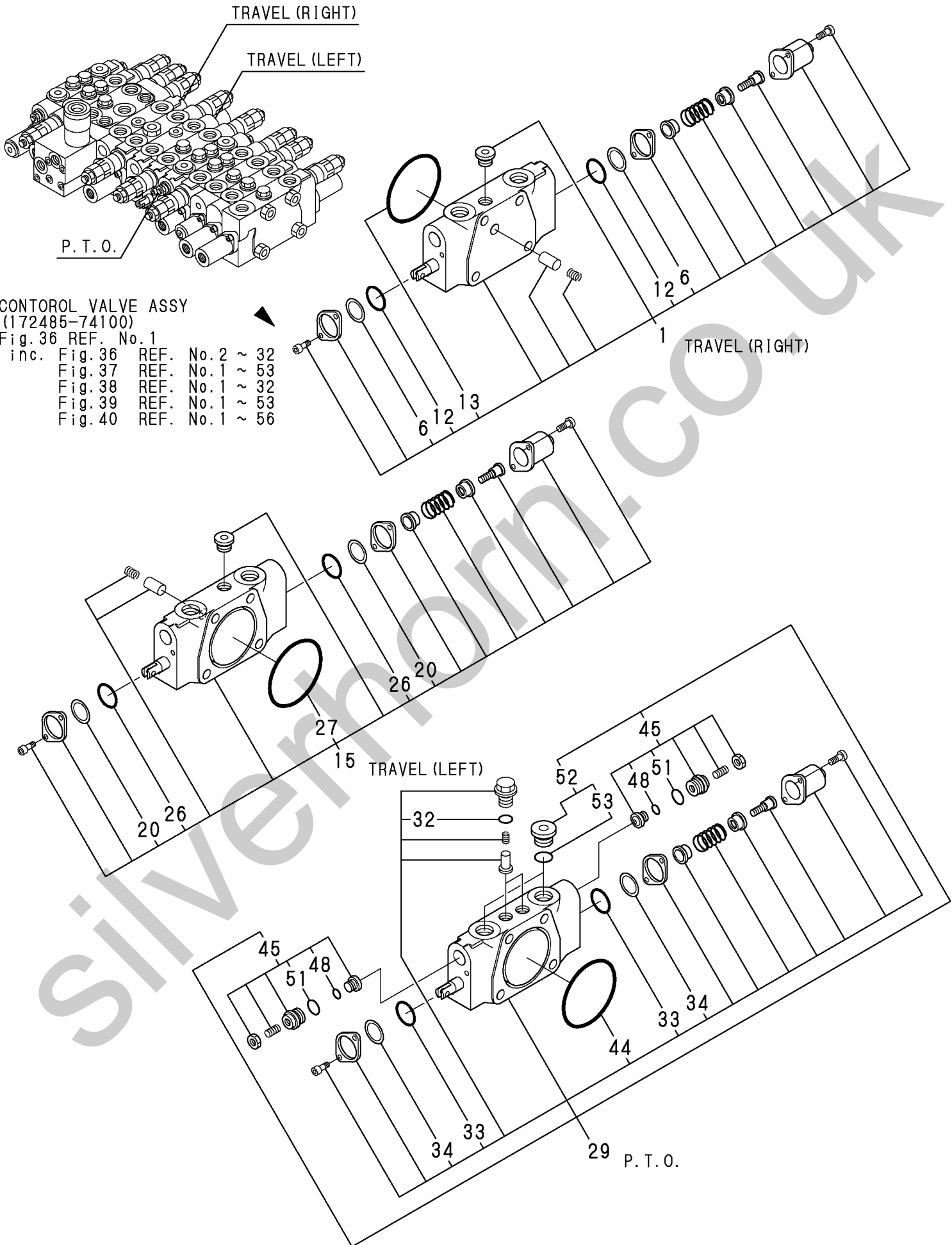
Fig.36 REF. No.1

- inc. Fig.36 REF. No.2 ~ 32
- Fig.37 REF. No.1 ~ 53
- Fig.38 REF. No.1 ~ 32
- Fig.39 REF. No.1 ~ 53
- Fig.40 REF. No.1 ~ 56

1,2,,172460-74130,, "TRAVEL R SECTION",1,,,,,,,,,,,,,
6,3,,172614-74290,, WIPER,2,,,,,,,,,,,,,
12,3,,172422-74370,, O-RING,2,,,,,,,,,,,,,
13,3,,172460-74370,, O-RING,1,,,,,,,,,,,,,
15,2,,172460-74150,, "TRAVEL L SECTION",1,,,,,,,,,,,,,
20,3,,172614-74290,, WIPER,2,,,,,,,,,,,,,
26,3,,172422-74370,, O-RING,2,,,,,,,,,,,,,
27,3,,172460-74370,, O-RING,1,,,,,,,,,,,,,
29,2,,172460-74170,, "P.T.O. SECTION",1,,,,,,,,,,,,,
32,4,,24315-000110,, "O-RING 1B P-11.0",2,,,,,,,,,,,,,
33,4,,172422-74370,, O-RING,2,,,,,,,,,,,,,
34,4,,172614-74290,, WIPER,2,,,,,,,,,,,,,
44,4,,172460-74370,, O-RING,1,,,,,,,,,,,,,
45,3,,172455-74320,, "SHUTOFF VALVE",2,,,,,,,,,,,,,
48,4,,172455-74030,, O-RING,2,,,,,,,,,,,,,
51,4,,172116-74150,, O-RING,2,,,,,,,,,,,,,
52,3,,172187-74540,, PLUG,2,,,,,,,,,,,,,
53,4,,24315-000140,, "O-RING 1B P-14.0",2,,,,,,,,,,,,,

Silverhorn.CO.UK

Fig. 37 CONTROL VALVE (TRAVEL & P. T. O.)



CONTROL VALVE ASSY
(172485-74100)

Fig. 36 REF. No. 1

- inc. Fig. 36 REF. No. 2 ~ 32
- Fig. 37 REF. No. 1 ~ 53
- Fig. 38 REF. No. 1 ~ 32
- Fig. 39 REF. No. 1 ~ 53
- Fig. 40 REF. No. 1 ~ 56

1,2,,172460-74160,, "SWING SECTION",1,,,,,,,,,,,,,
4,4,,24315-000110,, "O-RING 1B P-11.0",1,,,,,,,,,,,,,
5,4,,172422-74370,, O-RING,2,,,,,,,,,,,,,
6,4,,172614-74290,, WIPER,2,,,,,,,,,,,,,
16,4,,172460-74370,, O-RING,1,,,,,,,,,,,,,
17,3,,172460-74300,, "PORT RELIFE 250",2,,,,,,,,,,,,,
18,4,,172116-74150,, O-RING,2,,,,,,,,,,,,,
19,2,,172460-74180,, "ARM SECTION",1,,,,,,,,,,,,,
22,4,,24315-000110,, "O-RING 1B P-11.0",2,,,,,,,,,,,,,
26,4,,172422-74220,, O-RING,2,,,,,,,,,,,,,
31,3,,172460-74300,, "PORT RELIFE 250",2,,,,,,,,,,,,,
32,4,,172116-74150,, O-RING,2,,,,,,,,,,,,,

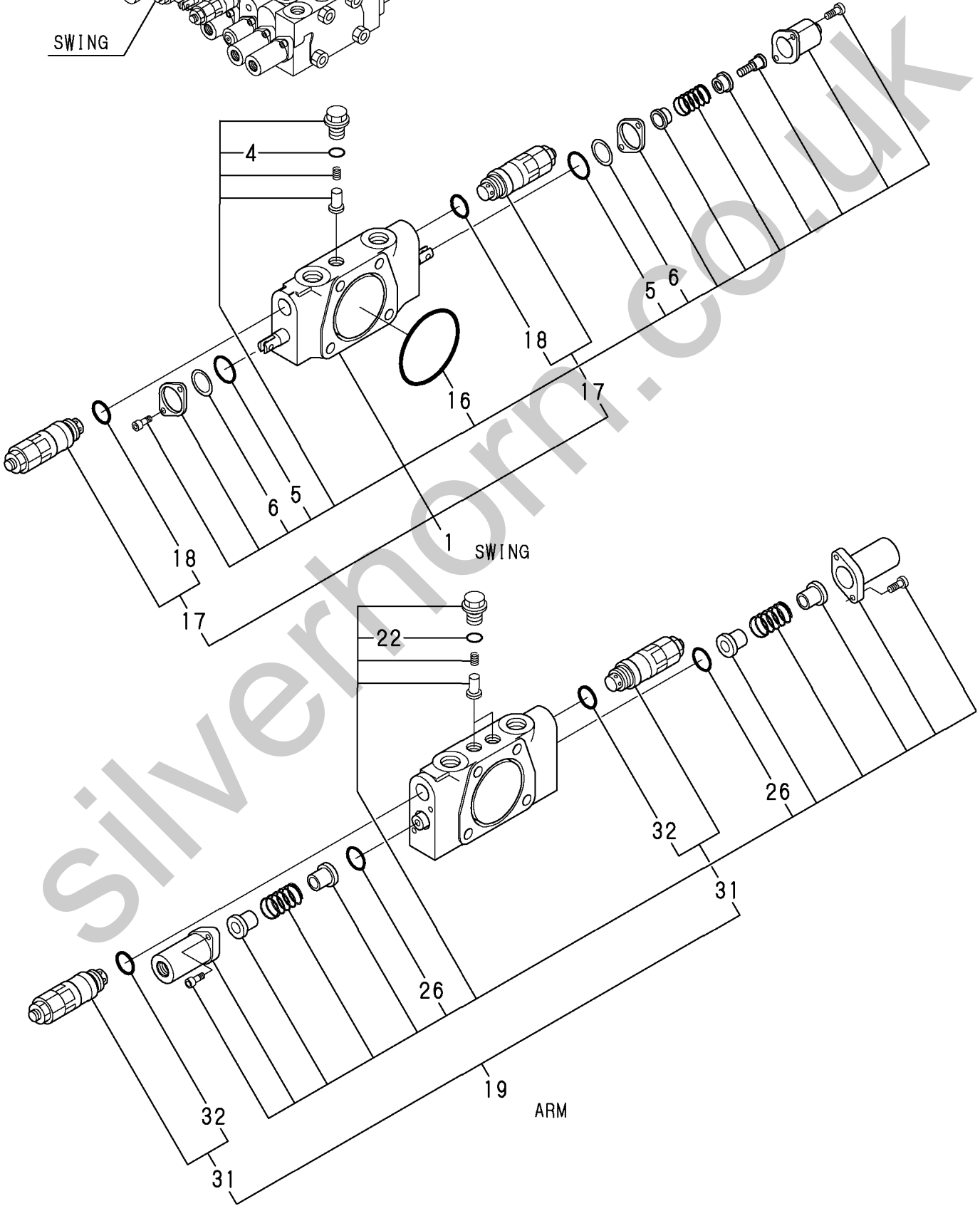
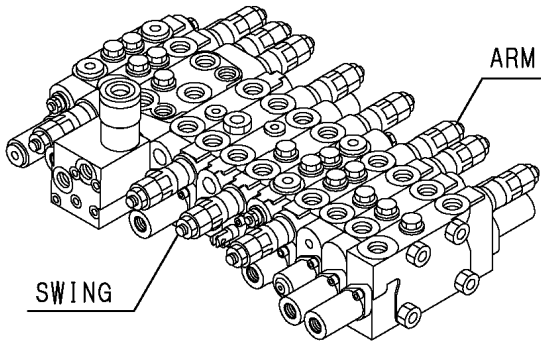
Silverhorn.CO.UK

Fig. 38 CONTROL VALVE (ARM & SWING)

CONTROL VALVE ASSY
(172485-74100)

Fig. 36 REF. No. 1

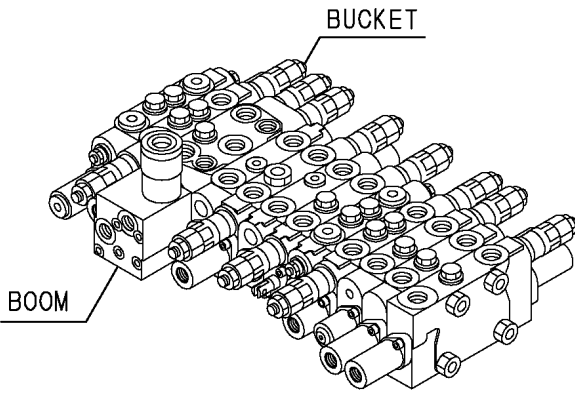
inc. Fig. 36	REF. No. 2 ~ 32
Fig. 37	REF. No. 1 ~ 53
Fig. 38	REF. No. 1 ~ 32
Fig. 39	REF. No. 1 ~ 53
Fig. 40	REF. No. 1 ~ 56



1,2,,172475-74110,, "BUCKET SECTION",1,,,,,,,,,,,,,,,,,,,,,
4,4,,24315-000110,, "O-RING 1B P-11.0",2,,,,,,,,,,,,,,,,,,,,,
8,4,,172422-74220,, O-RING,2,,,,,,,,,,,,,,,,,,,,,
14,4,,172460-74370,, O-RING,1,,,,,,,,,,,,,,,,,,,,,
15,3,,172460-74300,, "PORT RELIFE 250",2,,,,,,,,,,,,,,,,,,,,,
16,4,,172116-74150,, O-RING,2,,,,,,,,,,,,,,,,,,,,,
17,2,,172460-74120,, "BOOM SECTION",1,,,,,,,,,,,,,,,,,,,,,
19,4,,172638-73650,, RING,1,,,,,,,,,,,,,,,,,,,,,
20,4,,24315-000110,, "O-RING 1B P-11.0",2,,,,,,,,,,,,,,,,,,,,,
25,4,,172422-74220,, O-RING,2,,,,,,,,,,,,,,,,,,,,,
33,4,,172460-74500,, "BUCKUP RING",1,,,,,,,,,,,,,,,,,,,,,
34,4,,172455-74690,, PACKING,2,,,,,,,,,,,,,,,,,,,,,
40,4,,172455-74680,, "BACK UP RING",1,,,,,,,,,,,,,,,,,,,,,
41,4,,172455-74660,, PACKING,1,,,,,,,,,,,,,,,,,,,,,
42,4,,172455-74670,, PACKING,1,,,,,,,,,,,,,,,,,,,,,
45,4,,172116-74150,, O-RING,1,,,,,,,,,,,,,,,,,,,,,
51,4,,172460-74370,, O-RING,1,,,,,,,,,,,,,,,,,,,,,
52,3,,172460-74300,, "PORT RELIFE 250",2,,,,,,,,,,,,,,,,,,,,,
53,4,,172116-74150,, O-RING,2,,,,,,,,,,,,,,,,,,,,,

Silverhorn.CO.UK

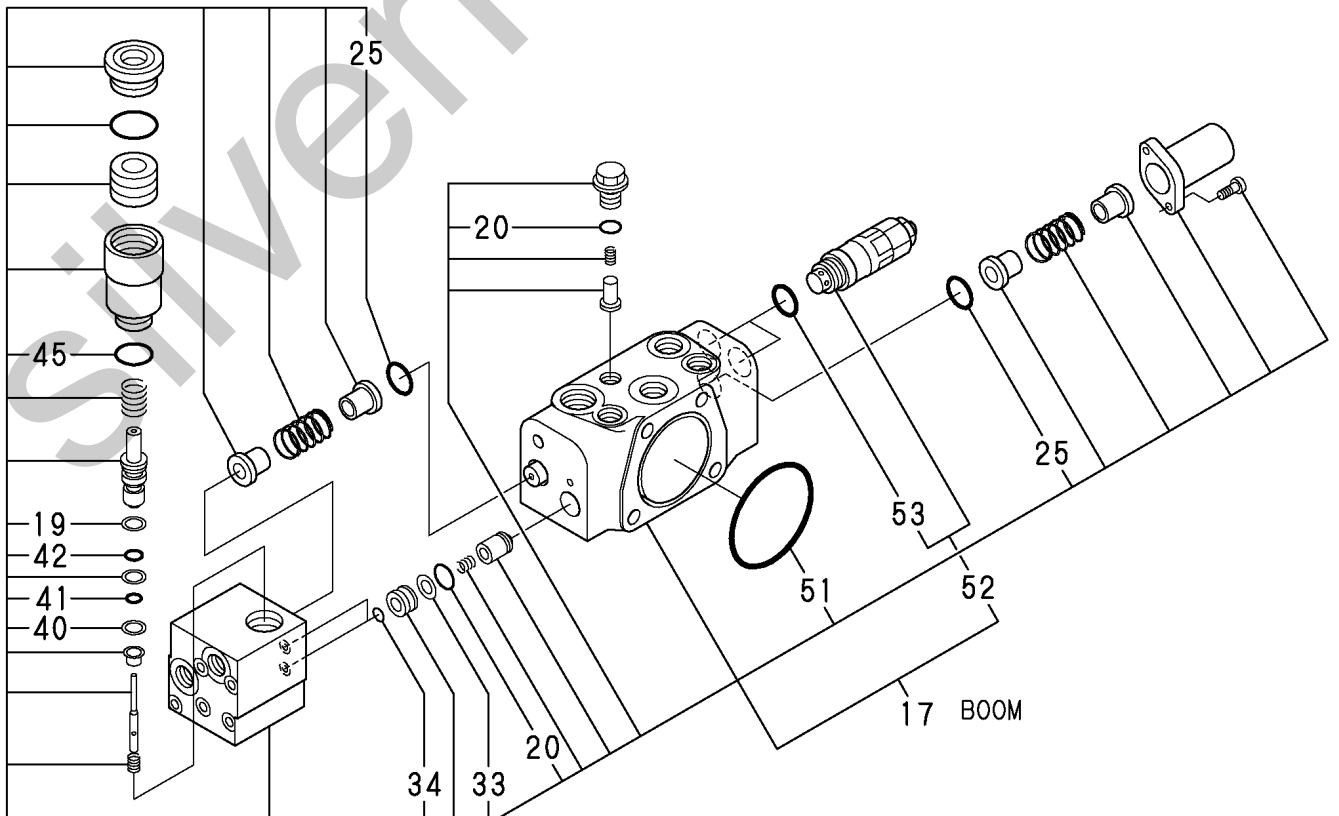
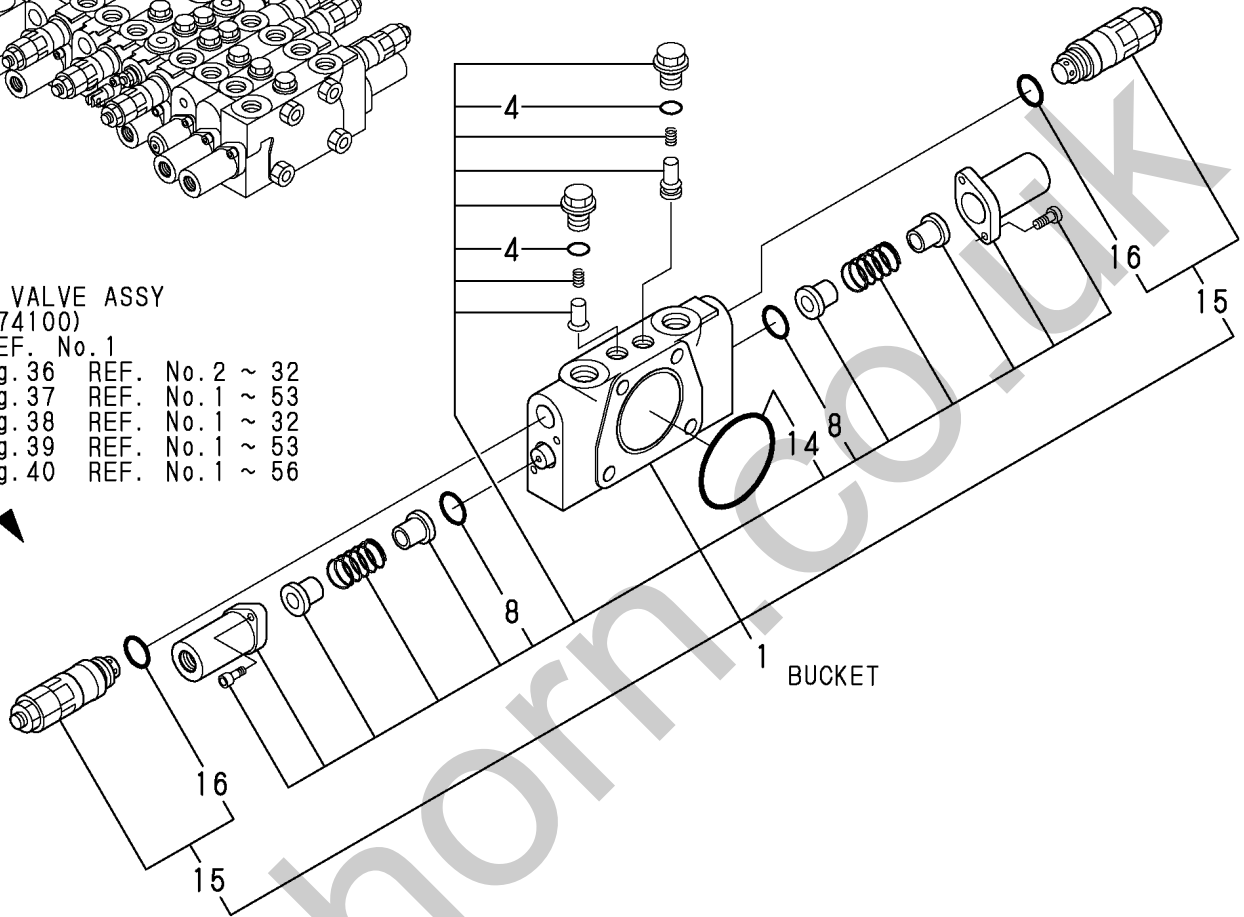
Fig. 39 CONTROL VALVE (BOOM & BUCKET)



CONTROL VALVE ASSY
(172485-74100)

Fig.36 REF. No.1

- inc. Fig.36 REF. No.2 ~ 32
- Fig.37 REF. No.1 ~ 53
- Fig.38 REF. No.1 ~ 32
- Fig.39 REF. No.1 ~ 53
- Fig.40 REF. No.1 ~ 56



1,2,,172460-74190,, "BLADE SECTION",1,,,,,,,,,,,,,
4,4,,24315-000110,, "O-RING 1B P-11.0",1,,,,,,,,,,,,,
5,4,,172422-74370,, O-RING,2,,,,,,,,,,,,,
6,4,,172614-74290,, WIPER,2,,,,,,,,,,,,,
16,4,,172460-74370,, O-RING,1,,,,,,,,,,,,,
20,3,,172460-74320,, "PORT RELIFE 150",1,,,,,,,,,,,,,
21,4,,172116-74150,, O-RING,1,,,,,,,,,,,,,
22,2,,172460-74200,, "TURNING SECTION",1,,,,,,,,,,,,,
24,3,,172422-74220,, O-RING,2,,,,,,,,,,,,,
27,3,,172460-74370,, O-RING,1,,,,,,,,,,,,,
33,3,,24315-000110,, "O-RING 1B P-11.0",1,,,,,,,,,,,,,
34,2,,172467-74120,, "4TH SECTION ASSY",1,,,,,,,,,,,,,
37,4,,24315-000110,, "O-RING 1B P-11.0",2,,,,,,,,,,,,,
41,4,,172422-74220,, O-RING,2,,,,,,,,,,,,,
47,3,,172455-74320,, "SHUTOFF VALVE",2,,,,,,,,,,,,,
50,4,,172455-74030,, O-RING,2,,,,,,,,,,,,,
53,4,,172116-74150,, O-RING,2,,,,,,,,,,,,,
54,3,,172187-74540,, PLUG,2,,,,,,,,,,,,,
55,4,,24315-000140,, "O-RING 1B P-14.0",2,,,,,,,,,,,,,
56,3,,172422-74330,, PLUG,2,,,,,,,,,,,,,

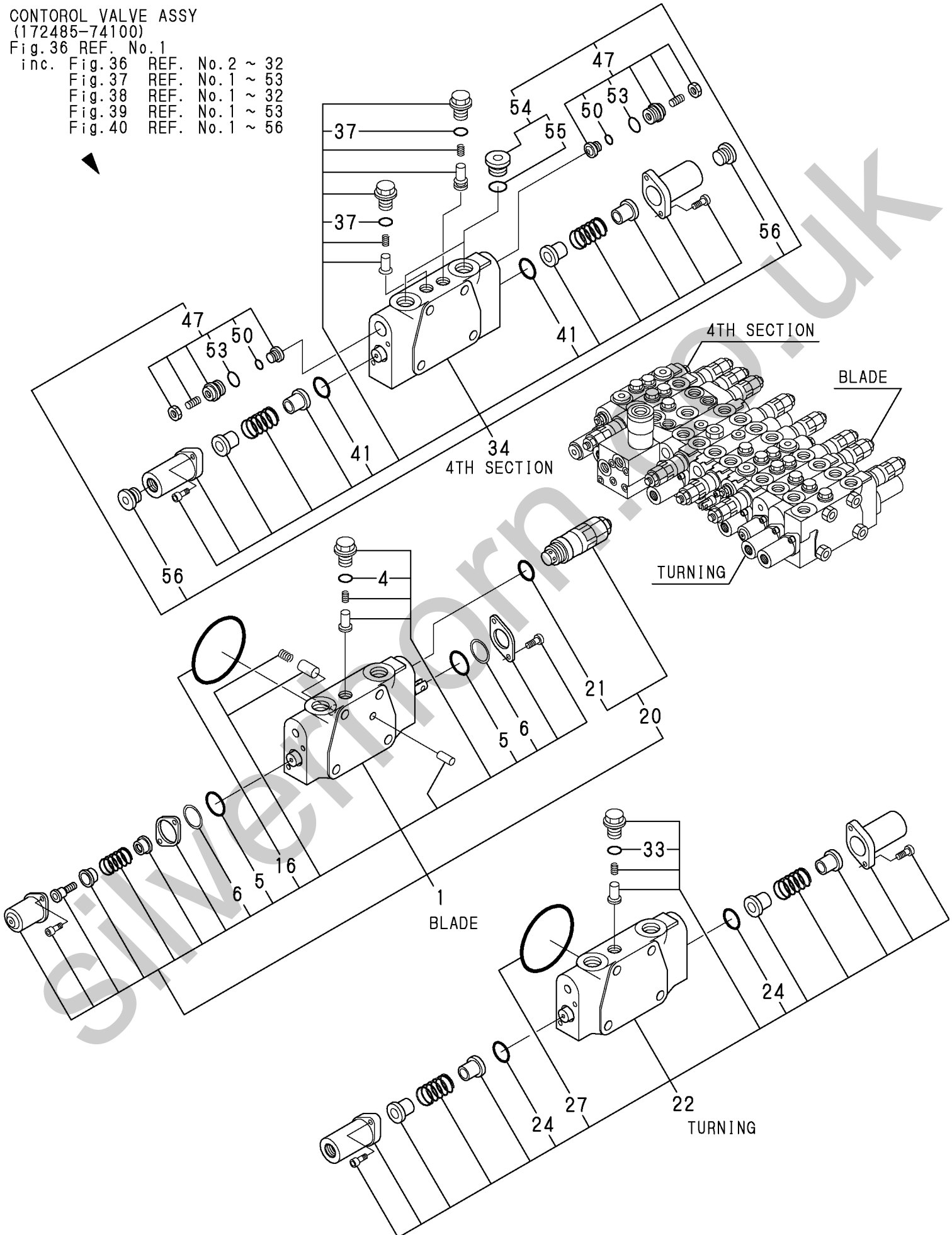
Silverhorn.CO.UK

Fig. 40 CONTROL VALVE (TURNING & BLADE)

CONTROL VALVE ASSY
(172485-74100)

Fig. 36 REF. No. 1

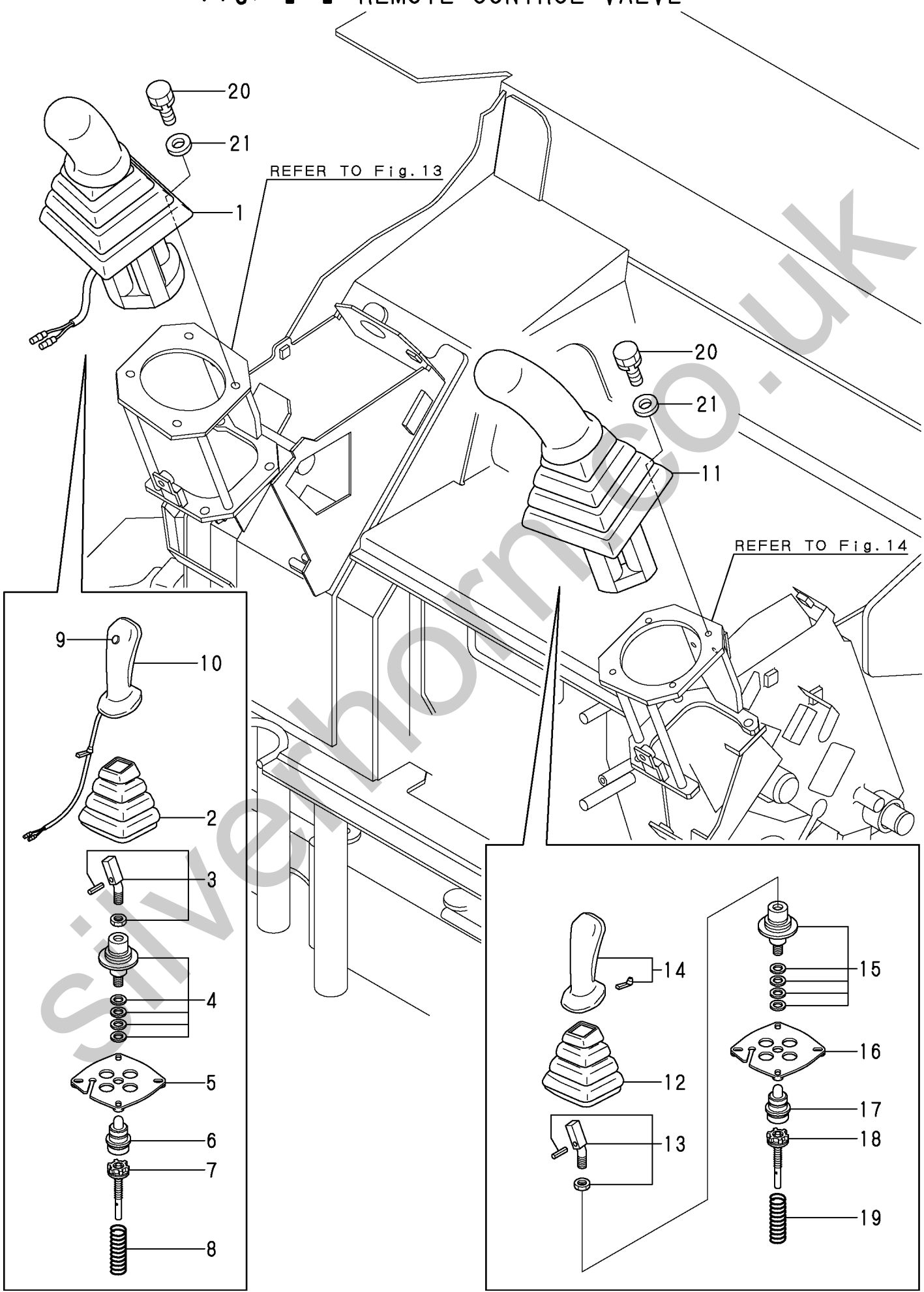
- inc. Fig. 36 REF. No. 2 ~ 32
 Fig. 37 REF. No. 1 ~ 53
 Fig. 38 REF. No. 1 ~ 32
 Fig. 39 REF. No. 1 ~ 53
 Fig. 40 REF. No. 1 ~ 56



1,1,,172463-74511,, "VALVE ASSY, R.US",1,,,,,,,,,,,,,
2,2,,172441-74030,, BELLOWS,1,,,,,,,,,,,,,
3,2,,172441-74040,, "COMMAND KIT",1,,,,,,,,,,,,,
4,2,,172463-74530,, "CARDAN KIT",1,,,,,,,,,,,,,
5,2,,172463-74540,, "RETAINING PLATE",1,,,,,,,,,,,,,
6,2,,172463-74551,, "PLUNGER KIT",1,,,,,,,,,,,,,
7,2,,172463-74561,, "REGULATION KIT",1,,,,,,,,,,,,,
8,2,,172463-74570,, "SPRING KIT",1,,,,,,,,,,,,,
9,2,,172463-74580,, "PUSH BUTTON",1,,,,,,,,,,,,,
10,2,,172463-74590,, "HANDLE R",1,,,,,,,,,,,,,
11,1,,172463-74521,, "VALVE ASSY, L.US",1,,,,,,,,,,,,,
12,2,,172441-74030,, BELLOWS,1,,,,,,,,,,,,,
13,2,,172441-74040,, "COMMAND KIT",1,,,,,,,,,,,,,
14,2,,172441-74050,, "HANDLE L",1,,,,,,,,,,,,,
15,2,,172463-74530,, "CARDAN KIT",1,,,,,,,,,,,,,
16,2,,172463-74540,, "RETAINING PLATE",1,,,,,,,,,,,,,
17,2,,172463-74551,, "PLUNGER KIT",1,,,,,,,,,,,,,
18,2,,172463-74561,, "REGULATION KIT",1,,,,,,,,,,,,,
19,2,,172463-74570,, "SPRING KIT",1,,,,,,,,,,,,,
20,1,,26013-060202,, "BOLT M 6X 20",8,,,,,,,,,,,,,
21,1,,22137-060000,, "WASHER 6, POLISHED",8,,,,,,,,,,,,,

Silverhorn.CO.UK

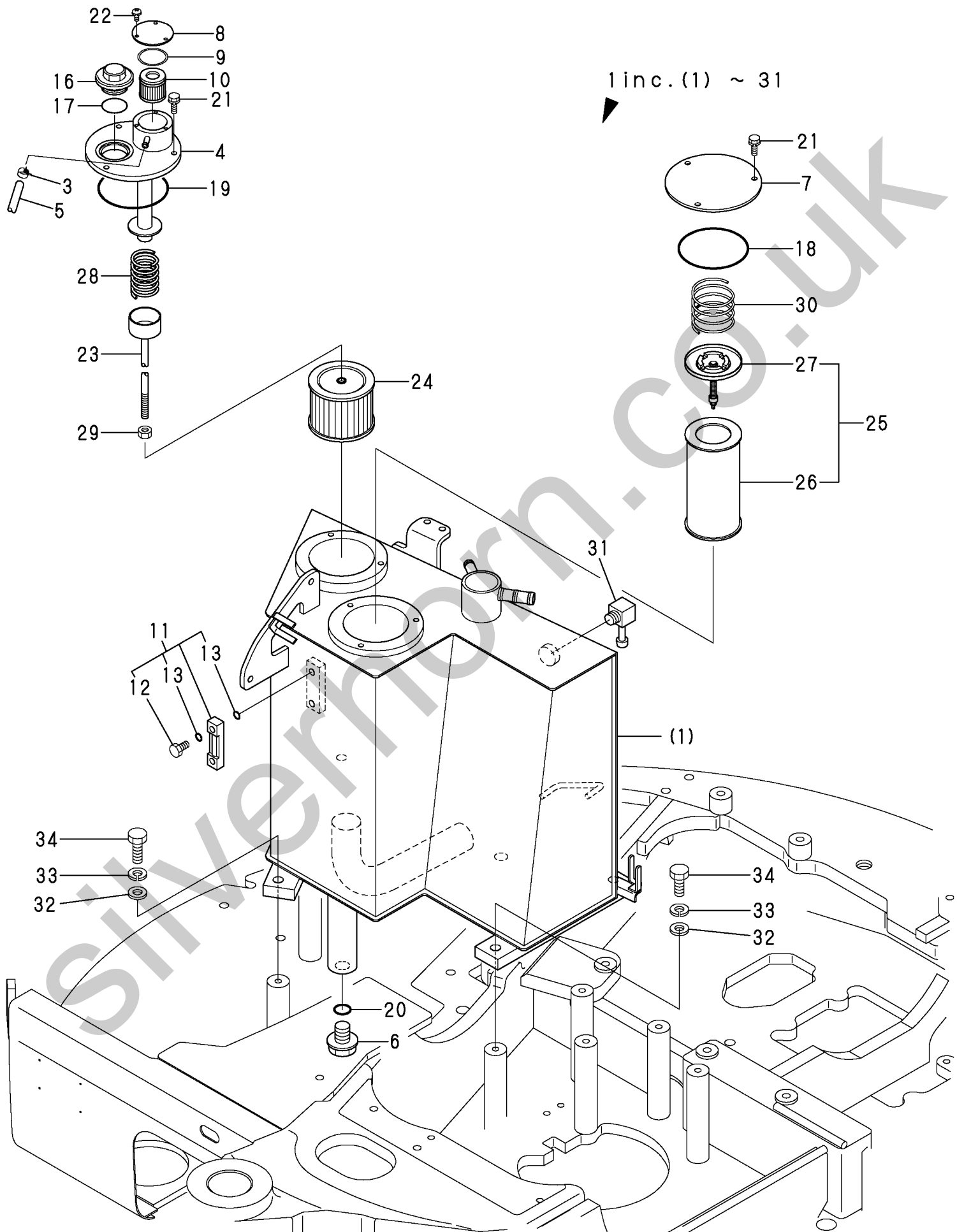
Fig. 41 REMOTE CONTROL VALVE



1,1,,772486-75100,, "HYD.OIL TANK (87)",1,,,,,,,,,,,,,,,,,
3,2,,23000-013000,, "CLAMP 13",1,,,,,,,,,,,,,,,,,
4,2,,172486-75431,, "COVER (YELLOW:87)",1,,,,,,,,,,,,,,,,,
5,2,,172174-75490,, HOSE,1,,,,,,,,,,,,,,,,,
6,2,,172486-75510,, "DRAIN PLUG 24",1,,,,,,,,,,,,,,,,,
7,2,,172486-75520,, "CAP,TANK (YELLOW:87)",1,,,,,,,,,,,,,,,,,
8,2,,172174-75450,, PLATE,1,,,,,,,,,,,,,,,,,
9,2,,172165-75460,, GASKET,1,,,,,,,,,,,,,,,,,
10,2,,172165-75481,, ELEMENT,1,,,,,,,,,,,,,,,,,
11,2,,172447-75600,, GAUGE,1,,,,,,,,,,,,,,,,,
12,3,,172455-75290,, "BOLT M10",2,,,,,,,,,,,,,,,,,
13,3,,172455-75300,, O-RING,4,,,,,,,,,,,,,,,,,
16,2,,172159-75850,, "PLUG, OIL FEED",1,,,,,,,,,,,,,,,,,
17,2,,24311-000380,, "O-RING 1A P-38.0",1,,,,,,,,,,,,,,,,,
18,2,,24321-001050,, "O-RING 1A G-105.0",1,,,,,,,,,,,,,,,,,
19,2,,24321-001050,, "O-RING 1A G-105.0",1,,,,,,,,,,,,,,,,,
20,2,,24341-000300,, "O-RING 1A S-30.0",1,,,,,,,,,,,,,,,,,
21,2,,26013-080202,, "BOLT W/WASHER M8X20",6,,,,,,,,,,,,,,,,,
22,2,,26022-050102,, "SCREW M 5X 10",3,,,,,,,,,,,,,,,,,
23,2,,172159-73710,, "ROD, FILTER",1,,,,,,,,,,,,,,,,,
24,2,,172137-73700,, "FILTER, SUCTION",1,,,,,,,,,,,,,,,,,
25,2,,172175-73700,, "FILTER ASSY, RETURN",1,,,,,,,,,,,,,,,,,
26,3,,172175-73710,, ELEMENT,1,,,,,,,,,,,,,,,,,
27,3,,172141-73770,, "VALVE ASSY, BYPASS",1,,,,,,,,,,,,,,,,,
28,2,,172159-73780,, "SPRING, SIDE CLUTCH",1,,,,,,,,,,,,,,,,,
29,2,,26716-100002,, "NUT 10",1,,,,,,,,,,,,,,,,,
30,2,,172159-73700,, "SPRING, SIDE CLUTCH",1,,,,,,,,,,,,,,,,,
31,2,,172184-76370,, CONNECTOR,1,,,,,,,,,,,,,,,,,
32,1,,22137-140000,, "WASHER 14,POLISHED",4,,,,,,,,,,,,,,,,,
33,1,,22217-140000,, "SPRING WASHER 14",4,,,,,,,,,,,,,,,,,
34,1,,26116-140402,, "BOLT M14X 40 PLATED",4,,,,,,,,,,,,,,,,



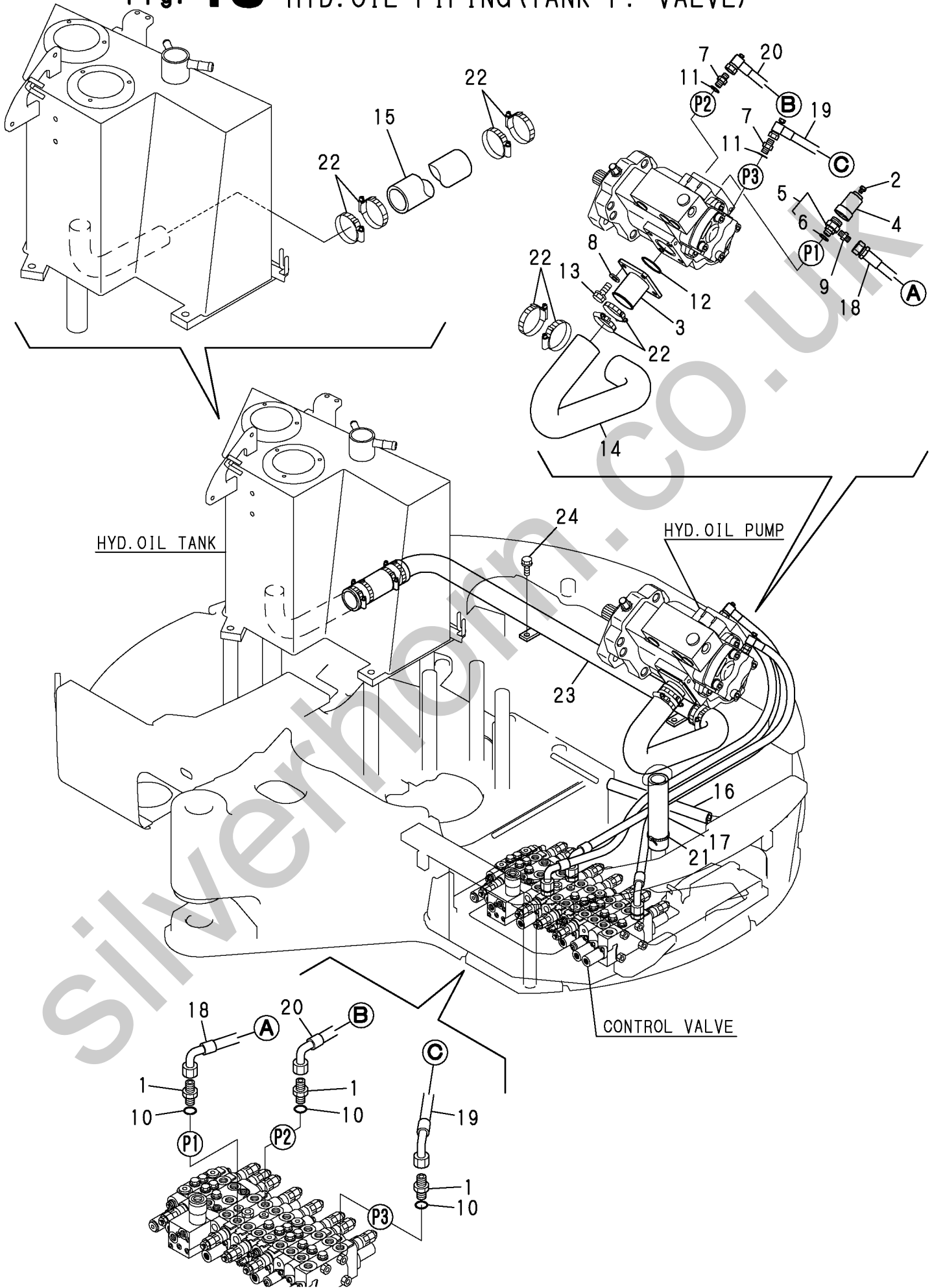
Fig. 42 HYD. OIL TANK



1,1,,172174-76200,, "CONNECTOR PF1/2-3/8",3,,,,,,,,,,,,,
2,1,,172460-76570,, PLUG,1,,,,,,,,,,,,,
3,1,,172165-76860,, FLANGE,1,,,,,,,,,,,,,
4,1,,172460-76900,, BODY,1,,,,,,,,,,,,,
5,1,,172164-76950,, CONNECTOR,1,,,,,,,,,,,,,
6,2,,24315-000180,, "O-RING 1B P-18.0",1,,,,,,,,,,,,,
7,1,,172112-77361,, CONNECTOR,2,,,,,,,,,,,,,
8,1,,22117-120000,, "WASHER 12",4,,,,,,,,,,,,,
9,1,,23391-040000,, "JOINT RGI 1/2",1,,,,,,,,,,,,,
10,1,,24315-000140,, "O-RING 1B P-14.0",3,,,,,,,,,,,,,
11,1,,24315-000180,, "O-RING 1B P-18.0",2,,,,,,,,,,,,,
12,1,,24321-000450,, "O-RING 1A G-45.0",1,,,,,,,,,,,,,
13,1,,26013-120302,, "BOLT W/WASHER M12X30",4,,,,,,,,,,,,,
14,1,,172486-78100,, "HOSE 44.5X57.5",1,,,,,,,,,,,,,
15,1,,172486-78111,, "HOSE 44.5X57.5",1,,,,,,,,,,,,,
16,1,,172486-78170,, GUARD,1,,,,,,,,,,,,,
17,1,,172486-78330,, GUARD,1,,,,,,,,,,,,,
18,1,,172486-78370,, "HOSE H208BC097",1,,,,,,,,,,,,,
19,1,,172486-78380,, "HOSE H208CZ091",1,,,,,,,,,,,,,
20,1,,172486-78450,, "HOSE H208CZ092",1,,,,,,,,,,,,,
21,1,,172174-79930,, "BAND 250",1,,,,,,,,,,,,,
22,1,,23001-070000,, CLIP,8,,,,,,,,,,,,,
23,1,,172486-76681,, "TUBE (GREEN:82)",1,,,,,,,,,,,,,
24,1,,26013-100252,, "BOLT W/WASHER M10X25",2,,,,,,,,,,,,,

Silverhorn.CO.UK

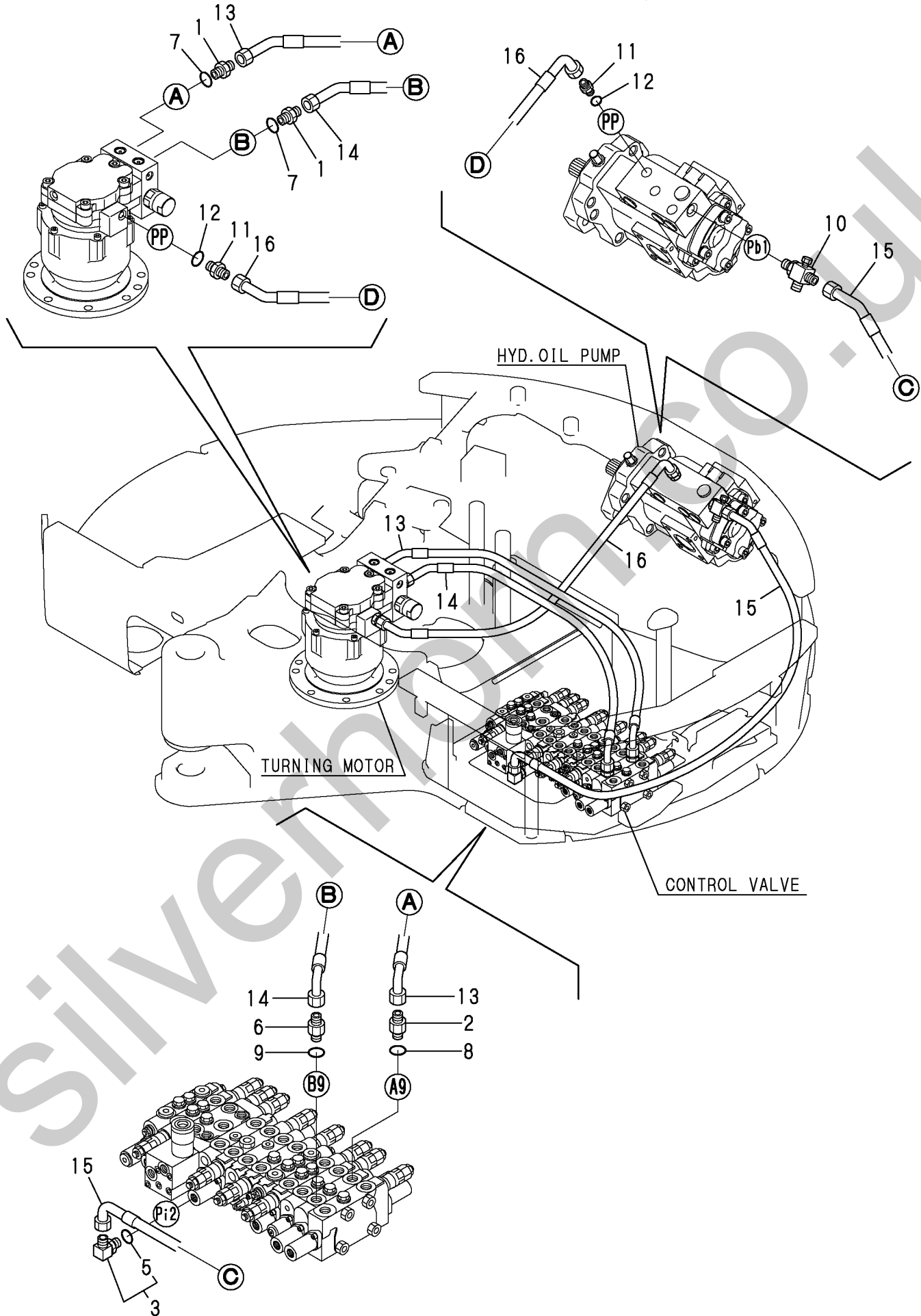
Fig. 43 HYD. OIL PIPING (TANK-P. -VALVE)



1,1,,172159-76160,,ADAPTOR,2,,,,,,,,,,,,,,,,,,,,,
2,1,,172486-76360,,ADAPTER G3/8",1,,,,,,,,,,,,,,,,,,,,,
3,1,,172159-76180,,CONNECTOR,1,,,,,,,,,,,,,,,,,,,,,
5,2,,24315-000110,,O-RING 1B P-11.0",1,,,,,,,,,,,,,,,,,,,,,
6,1,,172486-76360,,ADAPTER G3/8",1,,,,,,,,,,,,,,,,,,,,,
7,1,,24315-000140,,O-RING 1B P-14.0",2,,,,,,,,,,,,,,,,,,,,,
8,1,,24315-000140,,O-RING 1B P-14.0",1,,,,,,,,,,,,,,,,,,,,,
9,1,,24315-000140,,O-RING 1B P-14.0",1,,,,,,,,,,,,,,,,,,,,,
10,1,,172457-76100,,ADJUSTABLE TEE",1,,,,,,,,,,,,,,,,,,,,,
11,1,,172159-76120,,CONNECTOR PF1/4",2,,,,,,,,,,,,,,,,,,,,,
12,1,,24315-000110,,O-RING 1B P-11.0",2,,,,,,,,,,,,,,,,,,,,,
13,1,,172486-78340,,HOSE F206CE094S",1,,,,,,,,,,,,,,,,,,,,,
14,1,,172486-78350,,HOSE F206CE090S",1,,,,,,,,,,,,,,,,,,,,,
15,1,,172486-78420,,HOSE F403CE127",1,,,,,,,,,,,,,,,,,,,,,
16,1,,172486-78440,,HOSE F403CE092",1,,,,,,,,,,,,,,,,,,,,,

Silverhorn.CO.UK

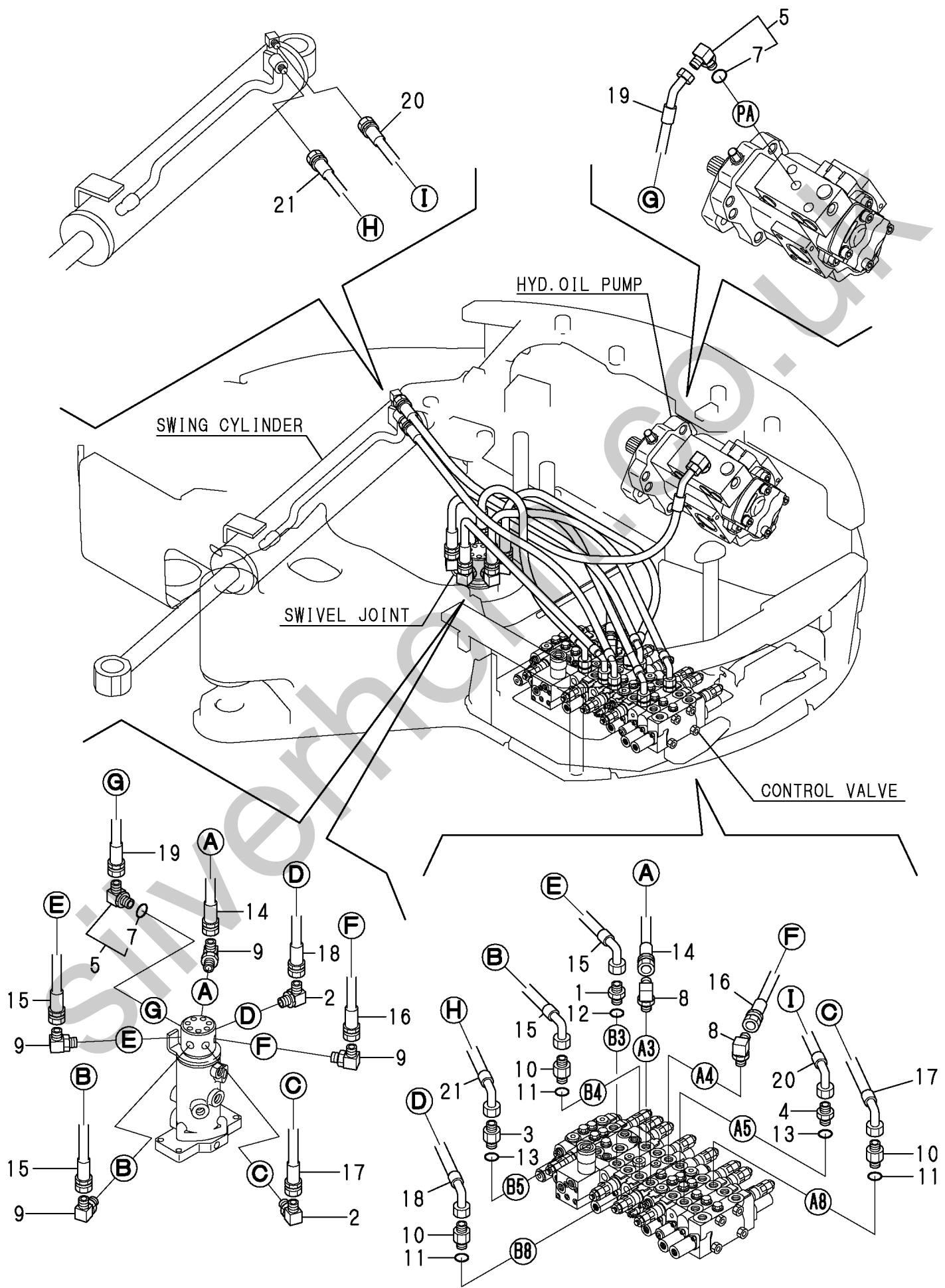
Fig. 44 HYD. OIL PIPING (PUMP-V. -MOTOR)



1,1,,172159-76160,,ADAPTOR,1,,,,,,,,,,,,,,,,,,,,,
2,1,,172486-76120,,CONNECTOR,2,,,,,,,,,,,,,,,,,,,,,
3,1,,172486-76170,,CONNECTOR,1,,,,,,,,,,,,,,,,,,,,,
4,1,,172161-76160,, "CONNECTOR 3/8-1/4",1,,,,,,,,,,,,,,,,,,,,,
5,1,,172159-76180,,CONNECTOR,2,,,,,,,,,,,,,,,,,,,,,
7,2,,24315-000110,, "O-RING 1B P-11.0",2,,,,,,,,,,,,,,,,,,,,,
8,1,,172159-76060,, "CONNECTOR 3/8",2,,,,,,,,,,,,,,,,,,,,,
9,1,,172159-76060,, "CONNECTOR 3/8",4,,,,,,,,,,,,,,,,,,,,,
10,1,,172486-76360,, "ADAPTER G3/8",3,,,,,,,,,,,,,,,,,,,,,
11,1,,24315-000140,, "O-RING 1B P-14.0",3,,,,,,,,,,,,,,,,,,,,,
12,1,,24315-000140,, "O-RING 1B P-14.0",1,,,,,,,,,,,,,,,,,,,,,
13,1,,24315-000140,, "O-RING 1B P-14.0",2,,,,,,,,,,,,,,,,,,,,,
14,1,,172486-78140,, "HOSE F206BB073S",1,,,,,,,,,,,,,,,,,,,,,
15,1,,172486-78150,, "HOSE F206BC072S",2,,,,,,,,,,,,,,,,,,,,,
16,1,,172486-78160,, "HOSE F206BB071S",1,,,,,,,,,,,,,,,,,,,,,
17,1,,172486-78180,, "HOSE F206BC082S",1,,,,,,,,,,,,,,,,,,,,,
18,1,,172486-78190,, "HOSE F206BC088S",1,,,,,,,,,,,,,,,,,,,,,
19,1,,172486-78430,, "HOSE F403BE079S",1,,,,,,,,,,,,,,,,,,,,,
20,1,,172486-78470,, "HOSE F204BC116S",1,,,,,,,,,,,,,,,,,,,,,
21,1,,172486-78480,, "HOSE F204BC104S",1,,,,,,,,,,,,,,,,,,,,,

Silverhorn.CO.UK

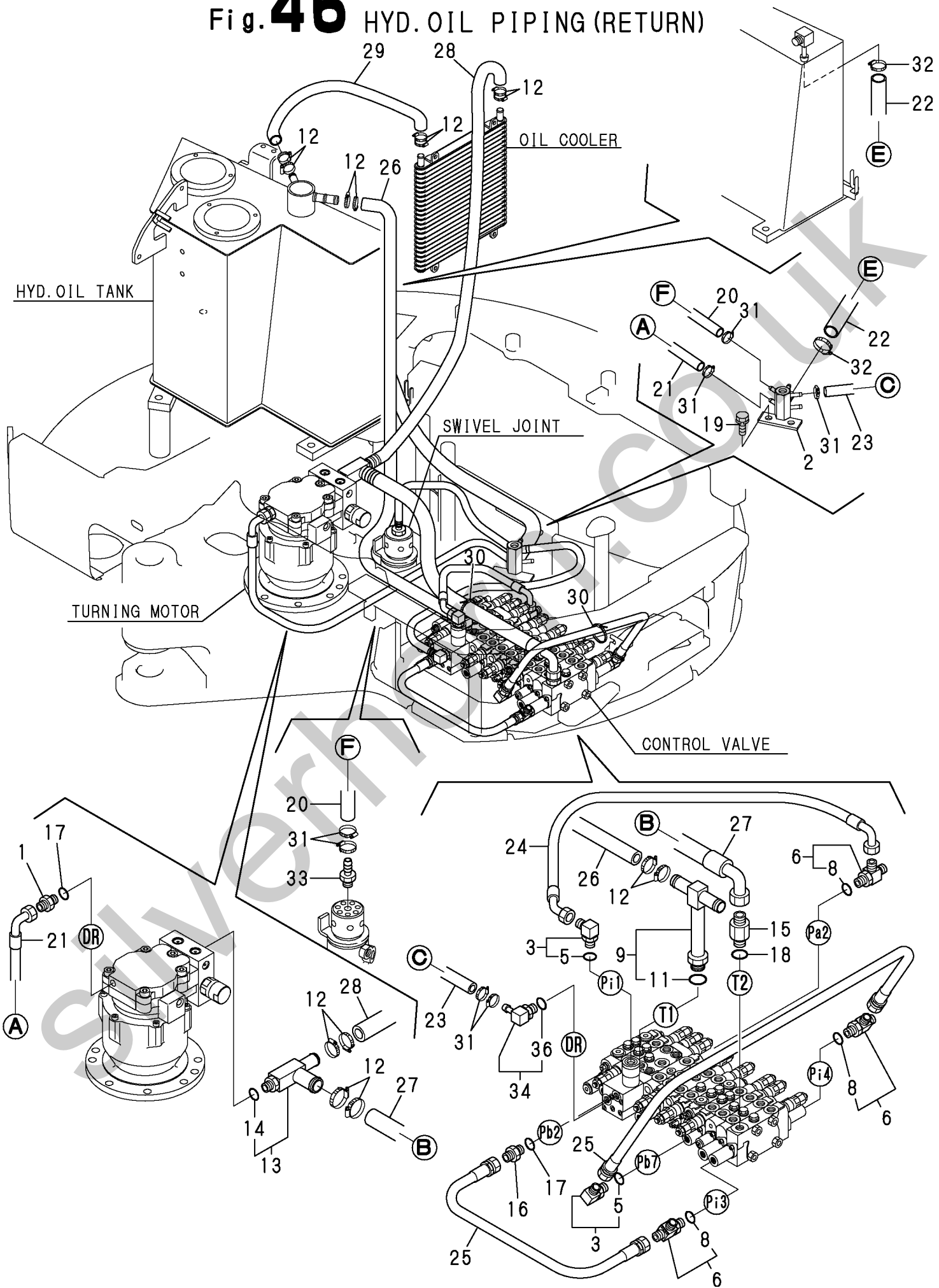
Fig. 45 HYD. OIL PIPING (VALVE-S. -SWING)



1,1,,172159-76120,, "CONNECTOR PF1/4",1,,,,,,,,,,,,,,,,,,,,,
2,1,,172486-76180,, "DRAIN BLOCK ASSY",1,,,,,,,,,,,,,,,,,,,,,
3,1,,172159-76180,, "CONNECTOR",2,,,,,,,,,,,,,,,,,,,,,
5,2,,24315-000110,, "O-RING 1B P-11.0",2,,,,,,,,,,,,,,,,,,,,,
6,1,,172162-76180,, "JOINT 3-1/4 COMPL.",3,,,,,,,,,,,,,,,,,,,,,
8,2,,24315-000110,, "O-RING 1B P-11.0",3,,,,,,,,,,,,,,,,,,,,,
9,1,,172486-76140,, "CONNECTOR",1,,,,,,,,,,,,,,,,,,,,,
11,2,,24315-000110,, "O-RING 1B P-11.0",1,,,,,,,,,,,,,,,,,,,,,
12,1,,23001-025000,, "HOSE CLAMP 25",14,,,,,,,,,,,,,,,,,,,,,
13,1,,172486-76281,, "CONNECTOR",1,,,,,,,,,,,,,,,,,,,,,
14,2,,24315-000140,, "O-RING 1B P-14.0",1,,,,,,,,,,,,,,,,,,,,,
15,1,,172486-76300,, "CONNECTOR",1,,,,,,,,,,,,,,,,,,,,,
16,1,,172180-76160,, "CONNECTOR PF1/4-0.7",1,,,,,,,,,,,,,,,,,,,,,
17,1,,24315-000110,, "O-RING 1B P-11.0",2,,,,,,,,,,,,,,,,,,,,,
18,1,,24315-000180,, "O-RING 1B P-18.0",1,,,,,,,,,,,,,,,,,,,,,
19,1,,26013-100202,, "BOLT W/WASHER M10X20",2,,,,,,,,,,,,,,,,,,,,,
20,1,,172486-78260,, "HOSE G804YY036",1,,,,,,,,,,,,,,,,,,,,,
21,1,,172486-78270,, "HOSE G804YY062S",1,,,,,,,,,,,,,,,,,,,,,
22,1,,172486-78280,, "HOSE G806YY088S",1,,,,,,,,,,,,,,,,,,,,,
23,1,,172486-78290,, "HOSE G804YY062",1,,,,,,,,,,,,,,,,,,,,,
24,1,,172486-78300,, "HOSE F403CE036",1,,,,,,,,,,,,,,,,,,,,,
25,1,,172486-78310,, "HOSE F403BB049",2,,,,,,,,,,,,,,,,,,,,,
26,1,,172486-78390,, "HOSE G612YY127S",1,,,,,,,,,,,,,,,,,,,,,
27,1,,172486-78400,, "HOSE G612CY086S",1,,,,,,,,,,,,,,,,,,,,,
28,1,,172486-78410,, "HOSE G608YY140S",1,,,,,,,,,,,,,,,,,,,,,
29,1,,172486-78491,, "HOSE G608YY049S",1,,,,,,,,,,,,,,,,,,,,,
30,1,,172174-79930,, "BAND 250",2,,,,,,,,,,,,,,,,,,,,,
31,1,,23000-013000,, "CLAMP 13",7,,,,,,,,,,,,,,,,,,,,,
32,1,,23001-016000,, "HOSE CLAMP 16",2,,,,,,,,,,,,,,,,,,,,,
33,1,,172161-76220,, "NIPPLE",1,,,,,,,,,,,,,,,,,,,,,
34,1,,172486-76370,, "NIPPLE",1,,,,,,,,,,,,,,,,,,,,,
36,2,,24315-000110,, "O-RING 1B P-11.0",1,,,,,,,,,,,,,,,,,,,,,



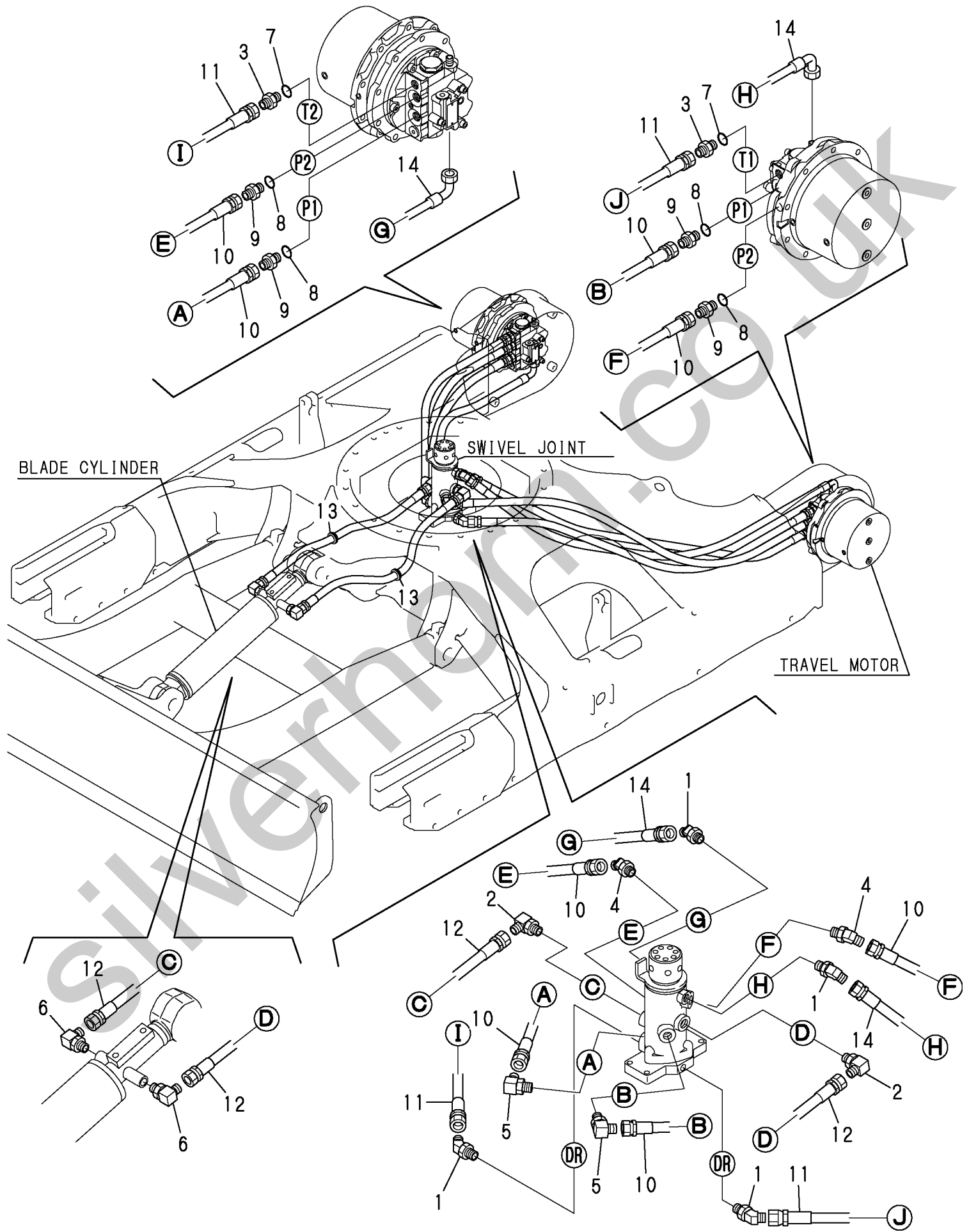
Fig. 46 HYD. OIL PIPING (RETURN)



1,1,,172173-76101,, "CONNECTOR PF1/4-45",4,,,,,,,,,,,,,,,,,,,,,
2,1,,172173-76121,,CONNECTOR,2,,,,,,,,,,,,,,,,,,,,,
3,1,,172124-76160,,CONNECTOR,2,,,,,,,,,,,,,,,,,,,,,
4,1,,172644-76161,, "ADJUST ELBOW 45°",2,,,,,,,,,,,,,,,,,,,,,
5,1,,172142-76181,, "JOINT 90-3/8 ASSY",2,,,,,,,,,,,,,,,,,,,,,
6,1,,23393-030000,, "JOINT 90RGI 3/8",2,,,,,,,,,,,,,,,,,,,,,
7,1,,24315-000140,, "O-RING 1B P-14.0",2,,,,,,,,,,,,,,,,,,,,,
8,1,,24315-000180,, "O-RING 1B P-18.0",4,,,,,,,,,,,,,,,,,,,,,
9,1,,933160-01370,, "CONNECTOR PF1/2-3/8",4,,,,,,,,,,,,,,,,,,,,,
10,1,,172460-78120,,HOSE,4,,,,,,,,,,,,,,,,,,,,,
11,1,,172460-78140,,HOSE,2,,,,,,,,,,,,,,,,,,,,,
12,1,,172460-78540,,HOSE,2,,,,,,,,,,,,,,,,,,,,,
13,1,,172422-78760,,GROMMET,2,,,,,,,,,,,,,,,,,,,,,
14,1,,172423-78430,, "HOSE P204BC142W",2,,,,,,,,,,,,,,,,,,,,,

Silverhorn.CO.UK

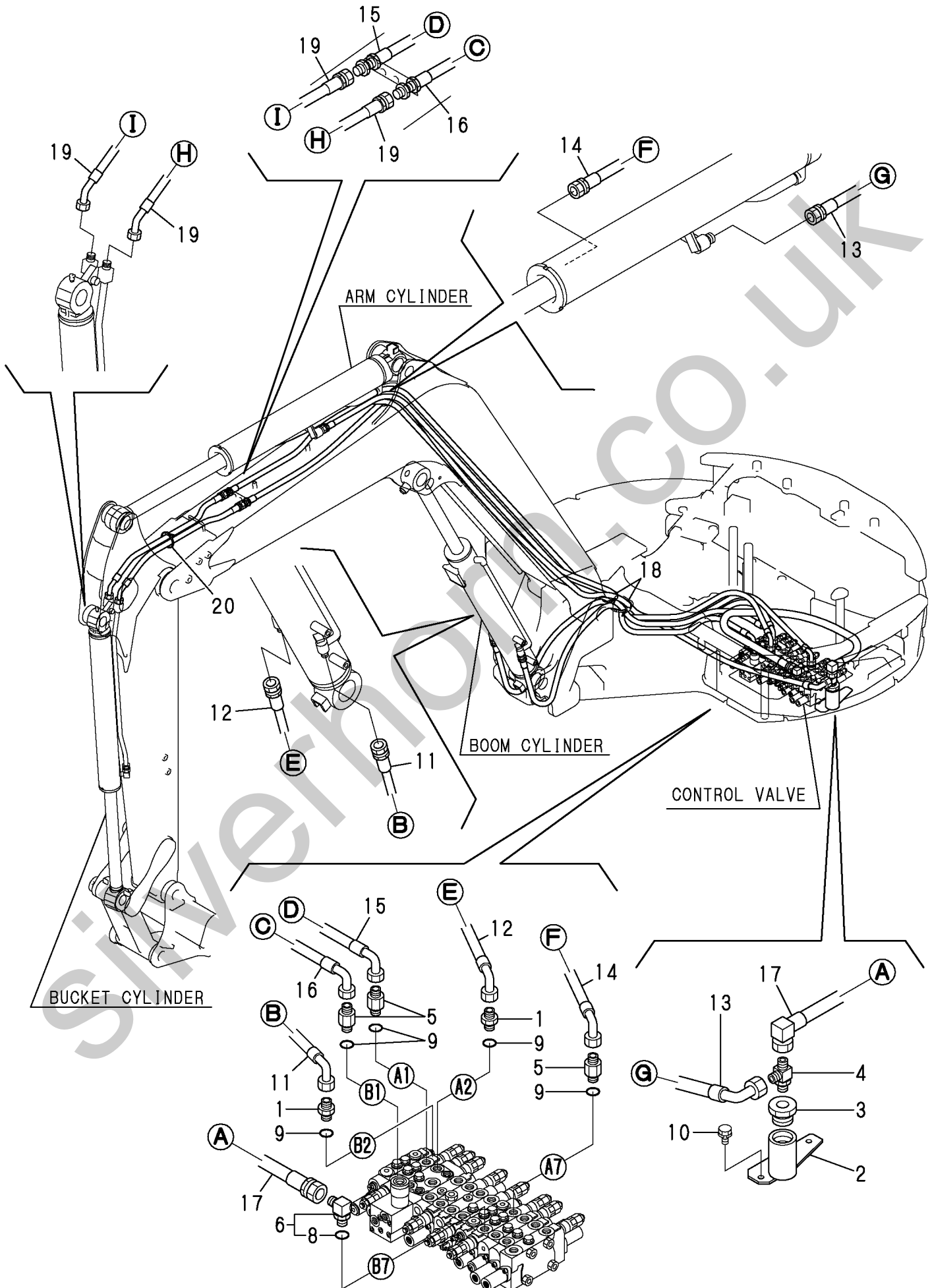
Fig. 47 HYD. OIL PIPING (TRAVEL)



1,1,,172159-76160,,ADAPTOR,2,,,,,,,,,,,,,,,,,,,,,
2,1,,172486-76310,,BODY,1,,,,,,,,,,,,,,,,,,,,,
3,1,,172486-76340,,CONNECTOR,1,,,,,,,,,,,,,,,,,,,,,
4,1,,172486-76350,,CONNECTOR,1,,,,,,,,,,,,,,,,,,,,,
5,1,,172486-76360,, "ADAPTER G3/8",3,,,,,,,,,,,,,,,,,,,,,
6,1,,172174-76340,, "CONNECTOR 3/8X1/2",1,,,,,,,,,,,,,,,,,,,,,
8,2,,24315-000140,, "O-RING 1B P-14.0",1,,,,,,,,,,,,,,,,,,,,,
9,1,,24315-000140,, "O-RING 1B P-14.0",5,,,,,,,,,,,,,,,,,,,,,
10,1,,26013-100162,, "BOLT M10X 16",3,,,,,,,,,,,,,,,,,,,,,
11,1,,172486-78200,, "HOSE H206BC170W",1,,,,,,,,,,,,,,,,,,,,,
12,1,,172486-78210,, "HOSE H206BC170W",1,,,,,,,,,,,,,,,,,,,,,
13,1,,172485-78100,, "HOSE H208BC379K",1,,,,,,,,,,,,,,,,,,,,,
14,1,,172485-78110,, "HOSE H206BC420K",1,,,,,,,,,,,,,,,,,,,,,
15,1,,172485-78120,, "HOSE H206CX395K",1,,,,,,,,,,,,,,,,,,,,,
16,1,,172485-78130,, "HOSE H206CX395K",1,,,,,,,,,,,,,,,,,,,,,
17,1,,172486-78320,, "HOSE H208CZ041K",1,,,,,,,,,,,,,,,,,,,,,
18,1,,172122-79890,, "CLAMP 350",2,,,,,,,,,,,,,,,,,,,,,
19,1,,172485-78800,, "HOSE H206BE078W",2,,,,,,,,,,,,,,,,,,,,,
20,1,,172122-79930,, "CLAMP B",1,,,,,,,,,,,,,,,,,,,,,

Silverhorn.CO.UK

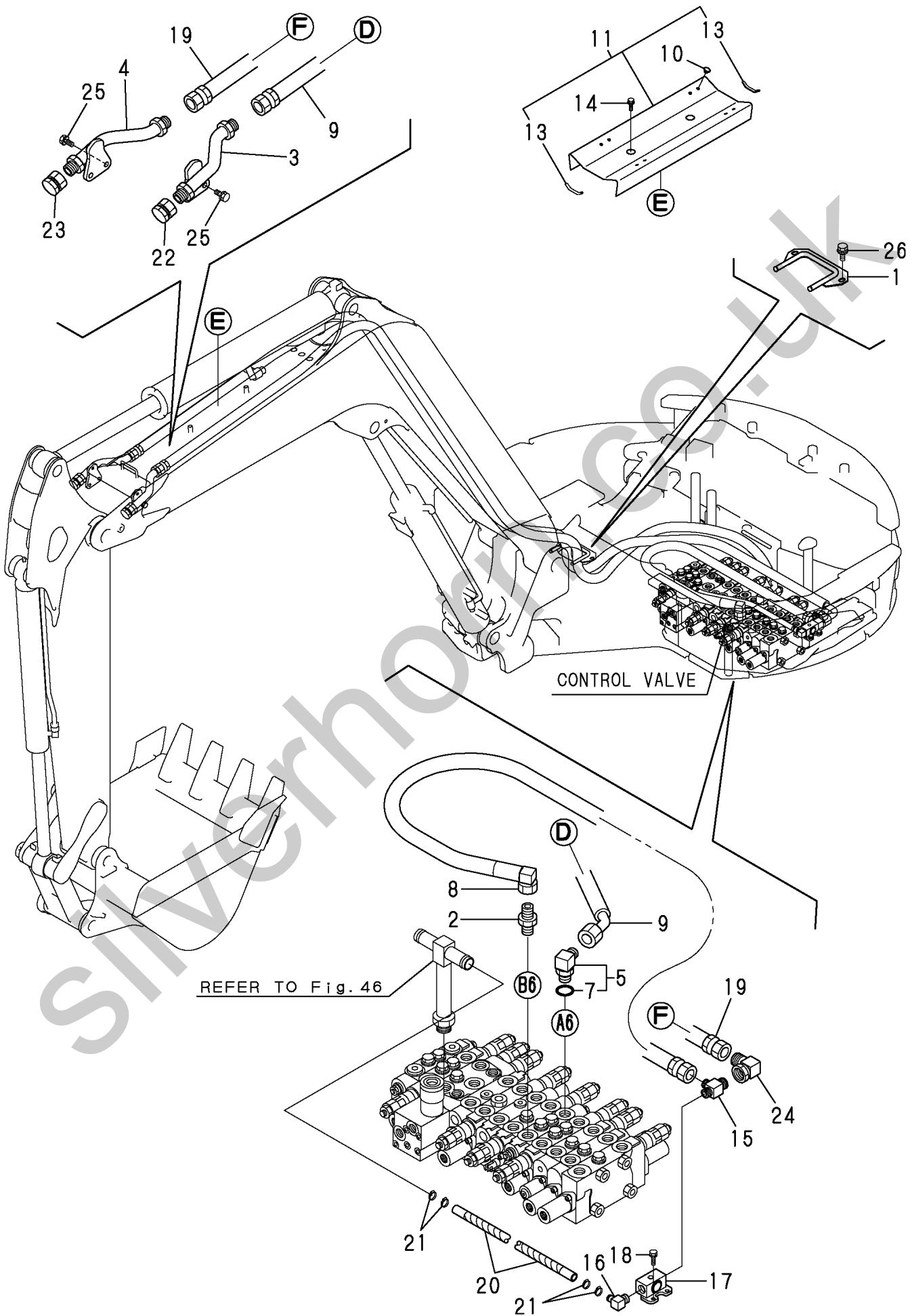
Fig. 48 HYD. OIL PIPING (BOOM)



1,1,,172486-76700,,COVER,1,,,,,,,,,,,,,,,,,,,,,
2,1,,172486-76760,,CONNECTOR,1,,,,,,,,,,,,,,,,,,,,,
3,1,,172467-76500,,,"TUBE L ASSY, P.T.O.",1,,,,,,,,,,,,,,,,,,,,,
4,1,,172467-76530,,,"TUBE R ASSY, P.T.O.",1,,,,,,,,,,,,,,,,,,,,,
5,1,,172486-76850,,CONNECTOR,1,,,,,,,,,,,,,,,,,,,,,
7,2,,24315-000140,,,"O-RING 1B P-14.0",1,,,,,,,,,,,,,,,,,,,,,
8,1,,172486-78710,,,"HOSE H112BV103",1,,,,,,,,,,,,,,,,,,,,,
9,1,,172485-78710,,,"HOSE G112BE445K",1,,,,,,,,,,,,,,,,,,,,,
10,1,,172444-17660,,CLIP,8,,,,,,,,,,,,,,,,,,,,,
11,1,,172467-79110,,,"COVER ASSY,BOOM (87)",1,,,,,,,,,,,,,,,,,,,,,
13,2,,172460-79140,,RUBBER,2,,,,,,,,,,,,,,,,,,,,,
14,1,,26014-080252,,,"BOLT M 8X 25",2,,,,,,,,,,,,,,,,,,,,,
15,1,,172486-76740,,,"JOINT 3/4-1",1,,,,,,,,,,,,,,,,,,,,,
16,1,,172486-76750,,CONNECTOR,1,,,,,,,,,,,,,,,,,,,,,
17,1,,172472-76200,,,"VALVE ASSY, STOP",1,,,,,,,,,,,,,,,,,,,,,
18,1,,26013-100302,,,"BOLT M10X 30",2,,,,,,,,,,,,,,,,,,,,,
19,1,,172485-78700,,,"HOSE H116BC436K",1,,,,,,,,,,,,,,,,,,,,,
20,1,,172486-78720,,,"HOSE H612YY033S",1,,,,,,,,,,,,,,,,,,,,,
21,1,,23001-035000,,,"HOSE CLAMP 35",4,,,,,,,,,,,,,,,,,,,,,
22,1,,172151-76600,,,"ADAPTER PF3/4,BLIND",1,,,,,,,,,,,,,,,,,,,,,
23,1,,172151-76610,,,"ADAPTER PF 1",1,,,,,,,,,,,,,,,,,,,,,
24,1,,172486-76960,,,"CONNECTOR 90-G1",1,,,,,,,,,,,,,,,,,,,,,
25,1,,26013-100202,,,"BOLT W/WASHER M10X20",4,,,,,,,,,,,,,,,,,,,,,
26,1,,26014-100202,,,"BOLT M10X 20",2,,,,,,,,,,,,,,,,,,,,,

Silverhorn.CO.UK

Fig. 49 HYD. OIL PIPING (P. T. O.)



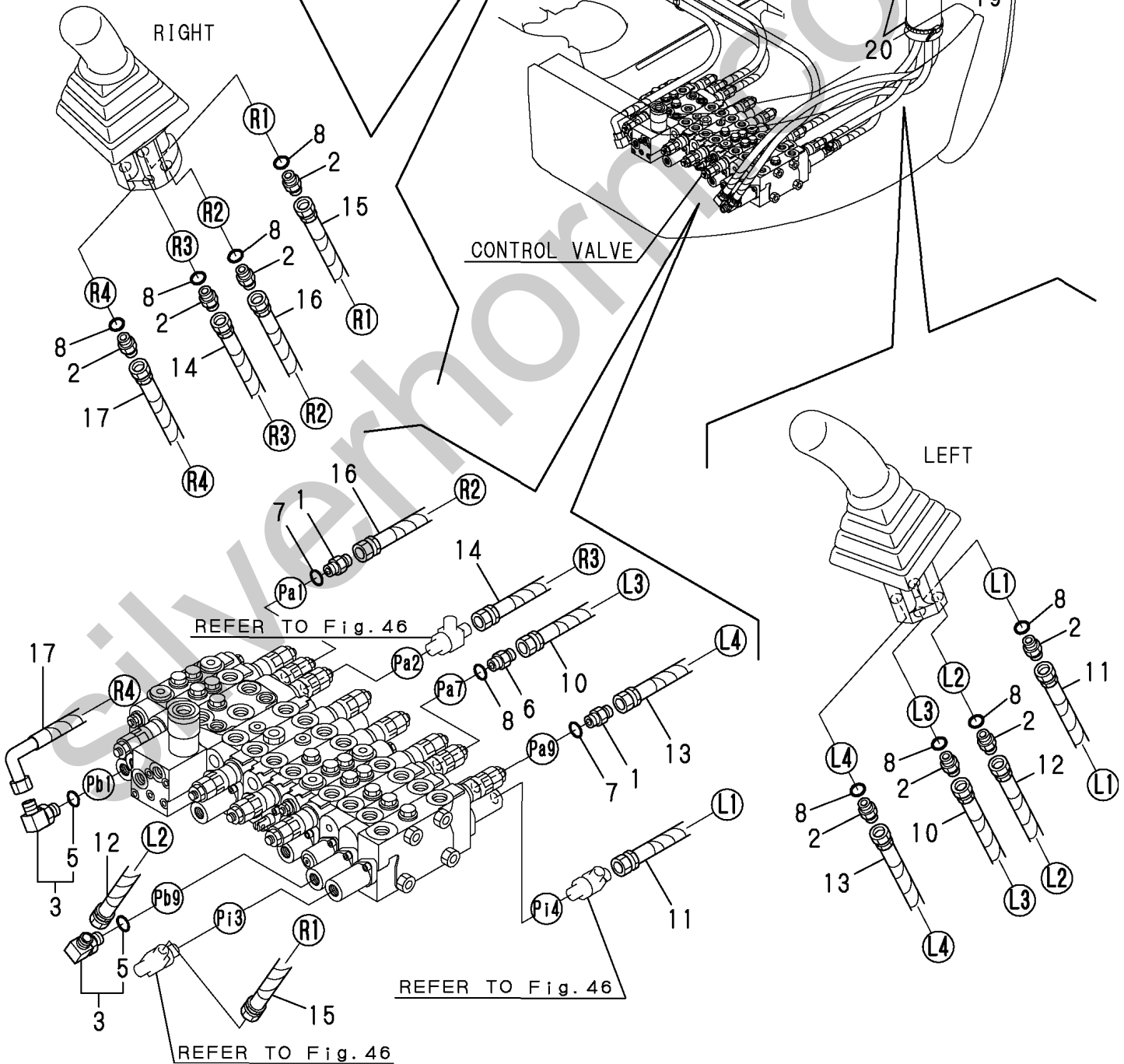
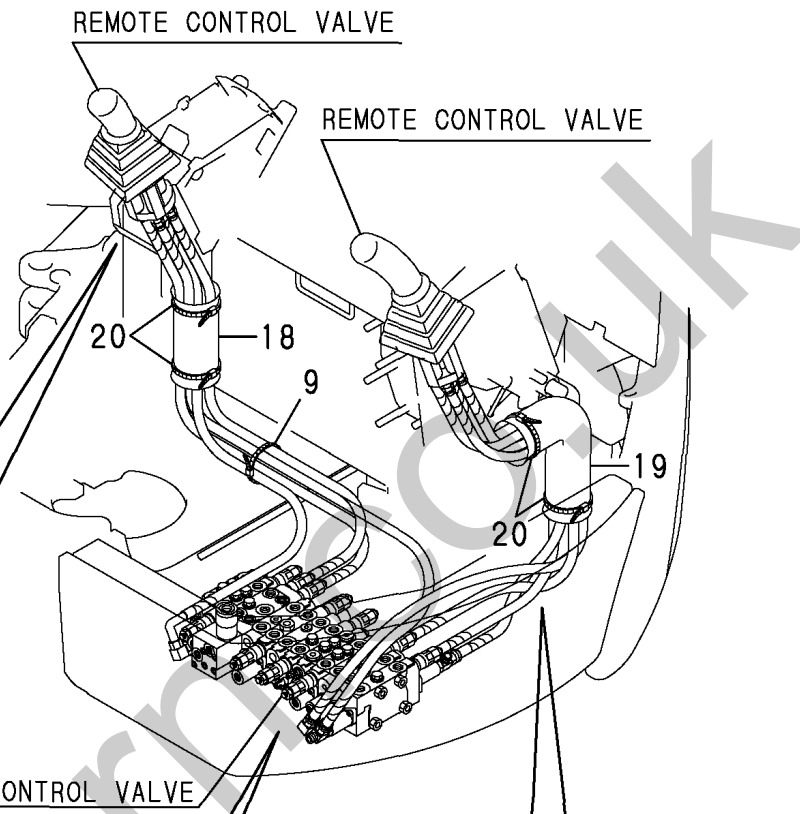
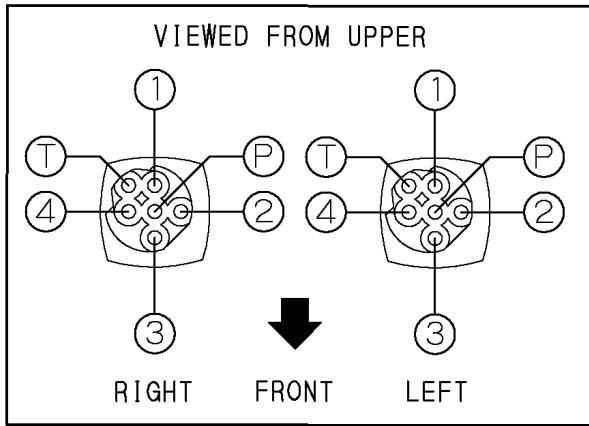
1,1,,172159-76120,, "CONNECTOR PF1/4",2,,,,,,,,,,,,,,,,,,,,,
2,1,,172141-76180,,CONNECTOR,1,,,,,,,,,,,,,,,,,,,,,
4,2,,24315-000110,, "O-RING 1B P-11.0",1,,,,,,,,,,,,,,,,,,,,,
5,1,,172455-76220,, "CONNECTOR PF1/4",2,,,,,,,,,,,,,,,,,,,,,
6,1,,24315-000110,, "O-RING 1B P-11.0",2,,,,,,,,,,,,,,,,,,,,,
7,1,,24315-000110,, "O-RING 1B P-11.0",2,,,,,,,,,,,,,,,,,,,,,
8,1,,23000-013000,, "CLAMP 13",2,,,,,,,,,,,,,,,,,,,,,
9,1,,172467-78180,, "HOSE G804BY091S",1,,,,,,,,,,,,,,,,,,,,,
10,1,,172467-78190,, "HOSE G804BY117S",1,,,,,,,,,,,,,,,,,,,,,
11,1,,172467-78200,, "HOSE F403BB097S",1,,,,,,,,,,,,,,,,,,,,,
12,1,,172467-78210,, "HOSE F403BE113S",1,,,,,,,,,,,,,,,,,,,,,
13,1,,172468-78150,, "HOSE F403CE076S",1,,,,,,,,,,,,,,,,,,,,,
14,1,,172437-73600,,ACCUMULATOR,1,,,,,,,,,,,,,,,,,,,,,
15,1,,172437-73630,, "STOPPER,ACCUMULATOR",1,,,,,,,,,,,,,,,,,,,,,
16,1,,172468-74200,, "BRACKET ASSY(ACC",1,,,,,,,,,,,,,,,,,,,,,
17,1,,172437-76120,,ELBOW,1,,,,,,,,,,,,,,,,,,,,,
18,1,,172437-78760,,RUBBER,1,,,,,,,,,,,,,,,,,,,,,
19,1,,23391-020000,, "JOINT RGI1/4",1,,,,,,,,,,,,,,,,,,,,,
20,1,,26013-080252,, "BOLT M 8X 25",2,,,,,,,,,,,,,,,,,,,,,
21,1,,26013-100162,, "BOLT M10X 16",3,,,,,,,,,,,,,,,,,,,,,
22,1,,172149-64480,, "COLLAR 11X21",2,,,,,,,,,,,,,,,,,,,,,

Silverhorn.CO.UK

1,1,,172159-76120,, "CONNECTOR PF1/4",2,,,,,,,,,,,,,,,,,,,,,
2,1,,172159-76120,, "CONNECTOR PF1/4",8,,,,,,,,,,,,,,,,,,,,,
3,1,,172159-76180,,CONNECTOR,2,,,,,,,,,,,,,,,,,,,,,
5,2,,24315-000110,, "O-RING 1B P-11.0",2,,,,,,,,,,,,,,,,,,,,,
6,1,,172164-76330,, "JOINT PF1/4-0.7",1,,,,,,,,,,,,,,,,,,,,,
7,1,,24315-000110,, "O-RING 1B P-11.0",2,,,,,,,,,,,,,,,,,,,,,
8,1,,24315-000110,, "O-RING 1B P-11.0",9,,,,,,,,,,,,,,,,,,,,,
9,1,,172122-79930,, "CLAMP B",1,,,,,,,,,,,,,,,,,,,,,
10,1,,172468-78110,, "HOSE F403BB138S",1,,,,,,,,,,,,,,,,,,,,,
11,1,,172468-78100,, "HOSE F403BE156S",1,,,,,,,,,,,,,,,,,,,,,
12,1,,172467-78280,, "HOSE F403BB198S",1,,,,,,,,,,,,,,,,,,,,,
13,1,,172468-78140,, "HOSE F403BB158S",1,,,,,,,,,,,,,,,,,,,,,
14,1,,172468-78130,, "HOSE F403BB115S",1,,,,,,,,,,,,,,,,,,,,,
15,1,,172468-78120,, "HOSE F403BB170S",1,,,,,,,,,,,,,,,,,,,,,
16,1,,172472-78200,, "HOSE F403BB115S",1,,,,,,,,,,,,,,,,,,,,,
17,1,,172472-78210,, "HOSE F403BC145S",1,,,,,,,,,,,,,,,,,,,,,
18,1,,172165-79810,,SPONGE,1,,,,,,,,,,,,,,,,,,,,,
19,1,,172472-78800,,SPONGE,1,,,,,,,,,,,,,,,,,,,,,
20,1,,172122-79930,, "CLAMP B",4,,,,,,,,,,,,,,,,,,,,,

Silverhorn.CO.UK

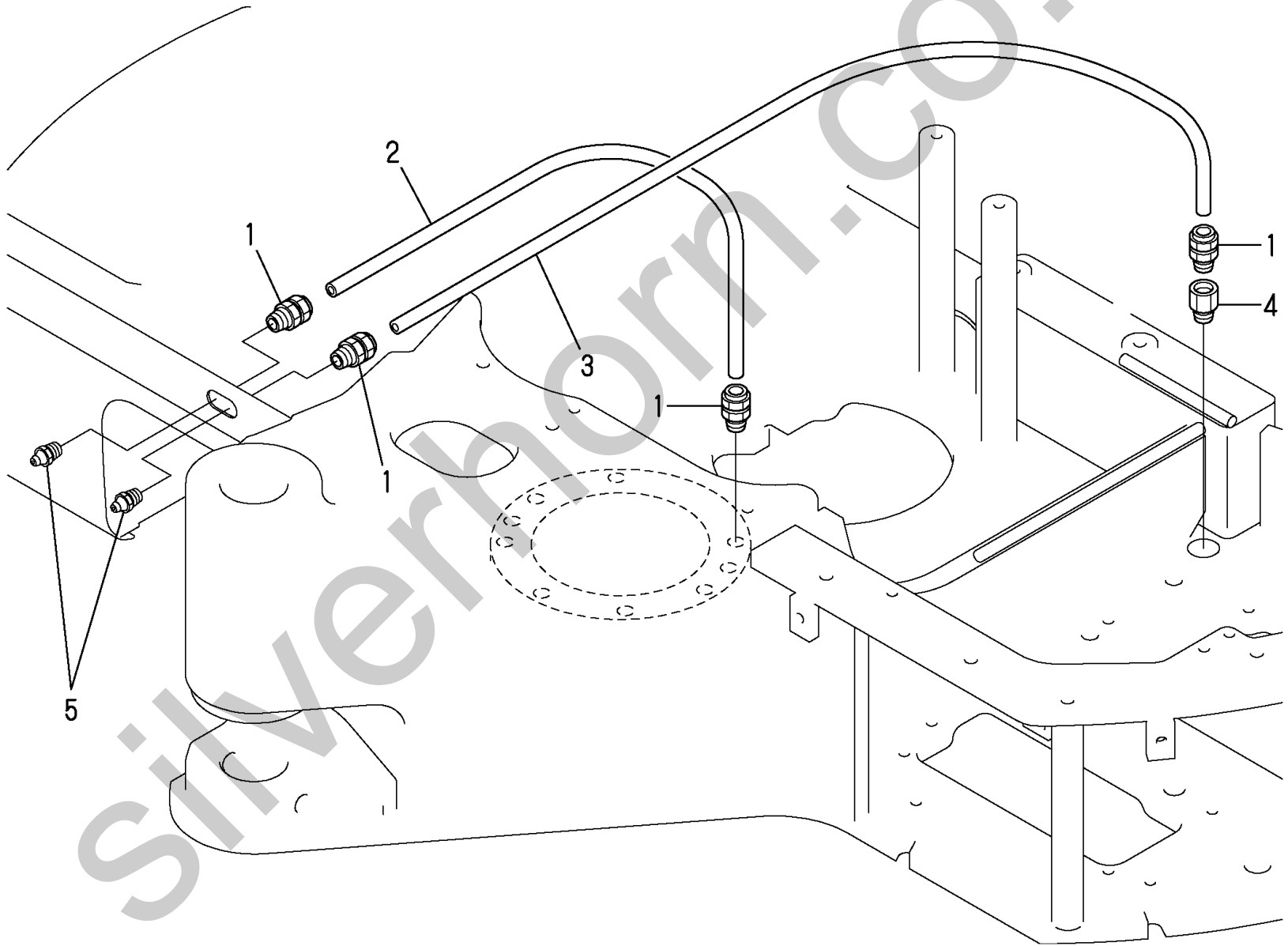
Fig. 51 CON. PIPING (VALVE-CONTROL V.)



1,1,,172159-77800,, "JOINT, GREASE",4,,,,,,,,,,,,,,,,,,,,,
2,1,,172486-77800,, "HOSE P602YY130",1,,,,,,,,,,,,,,,,,,,,,
3,1,,172486-77810,, "HOSE P602YY115",1,,,,,,,,,,,,,,,,,,,,,
4,1,,172159-76140,, "FITTING, GREASE",1,,,,,,,,,,,,,,,,,,,,,
5,1,,24761-020000,, "NIPPLE PT1/8,GREASE",2,,,,,,,,,,,,,,,,,,,,,

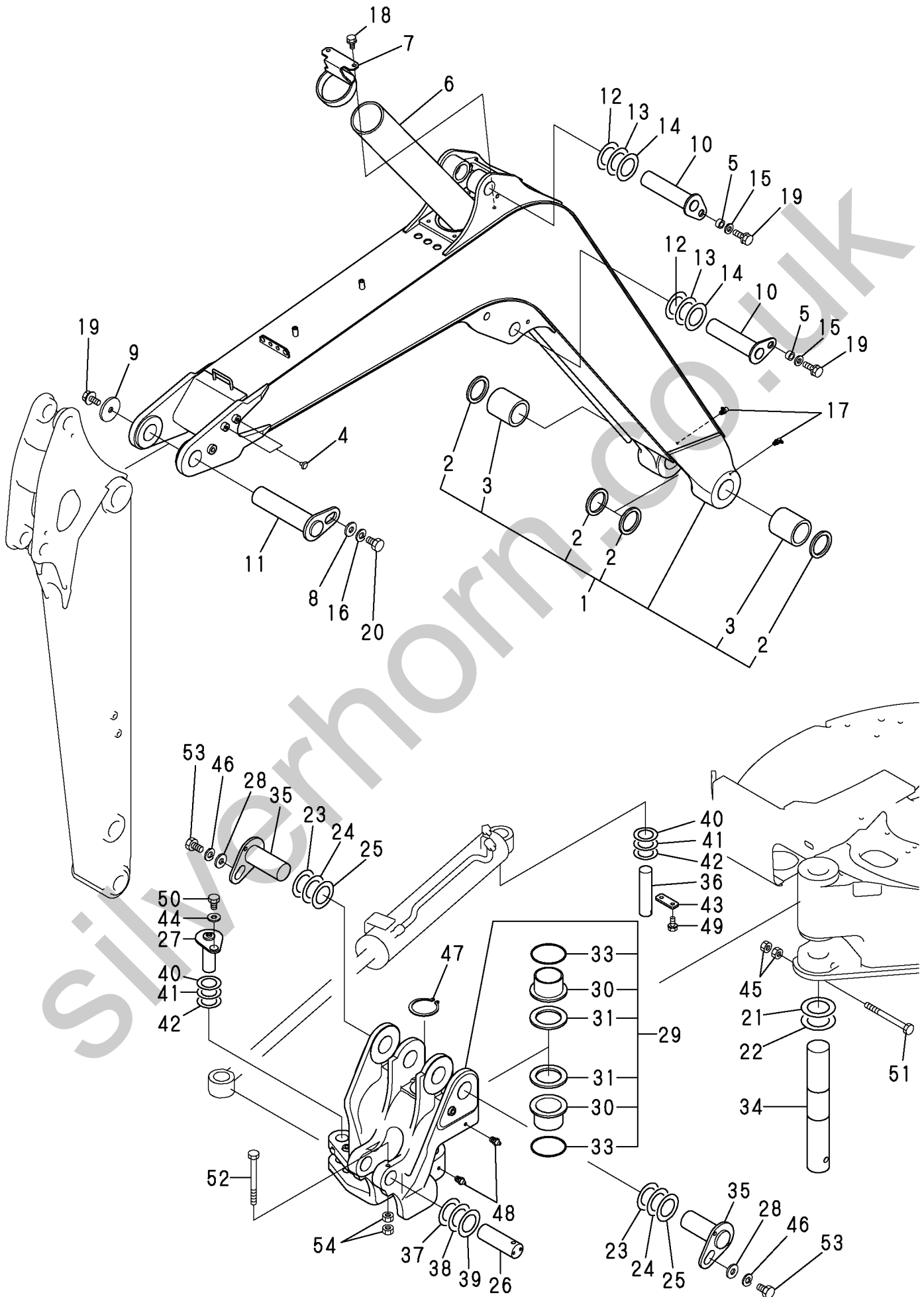
Silverhorn.CO.UK

Fig. **52** GREASING



1,1,,172460-81101-1,, "BOOM ASSY(YELLOW:87)",1,
2,2,,172162-81050,, "SEAL 60X75X6,DUST",4,
3,2,,172460-81400,, BUSH,2, ,724600322, I
4,1,,172183-81160,, "TREE CLIP",4,
5,1,,172164-81670,, SPACER,2,
6,1,,172485-81420,, PIPE,1,
7,1,,172485-81430,, "PLATE (YELLOW:87)",1,
8,1,,172187-81970,, WASHER,1,
9,1,,172147-82140,, WASHER,1,
10,1,,172460-82480-1,, "PIN 50X204(YELLOW:87)",2,
11,1,,172460-82500-1,, "PIN 60X245(YELLOW:87)",1,
12,1,,172165-82520,, "SHIM 50X85X0.5",2,
13,1,,172165-82530,, "SHIM 50X85X1.2",2,
14,1,,172165-82540,, "SHIM 50X85X1.6",2,
15,1,,22157-120000,, "WASHER 12",2,
16,1,,22217-140000,, "SPRING WASHER 14",1,
17,1,,24761-040000,, "NIPPLE B,GREASE",2,
18,1,,26013-100162,, "BOLT M10X 16",2,
19,1,,26013-120252,, "BOLT M12X 25",3,
20,1,,26116-140252,, "BOLT M14X 25 PLATED",1,
21,1,,172176-81700,, SHIM,1,
22,1,,172176-81710,, SHIM,1,
23,1,,172460-81800,, SHIM,2,
24,1,,172460-81810,, SHIM,2,
25,1,,172460-81820,, SHIM,2,
26,1,,172458-81830,, "PIN 50X135",1,
27,1,,172458-81930-1,, "PIN 40X111(YELLOW:87)",1,
28,1,,172187-81970,, WASHER,2,
29,1,,172460-82300-1,, "BRACKET (YELLOW:87)",1,
30,2,,172165-81710,, "BUSH 70X85",2,
31,2,,172165-81770,, "SEAL 70X80X6, DUST",2,
33,2,,24321-000700,, "O-RING 1A G70.0,NBR",2,
34,1,,172460-82400,, PIN,1,
35,1,,172460-82410-1,, "PIN 60X142(YELLOW:87)",2,
36,1,,172460-82430,, PIN,1,
37,1,,172165-82520,, "SHIM 50X85X0.5",2,
38,1,,172165-82530,, "SHIM 50X85X1.2",2,
39,1,,172165-82540,, "SHIM 50X85X1.6",2,
40,1,,172165-82580,, "SHIM 40X75X0.5",4,
41,1,,172165-82590,, "SHIM 40X75X1.2",4,
42,1,,172165-82600,, "SHIM 40X75X1.6",4,
43,1,,172117-83970-5,, "PLATE(C),LOCK (86)",1,
44,1,,22157-120000,, "WASHER 12",1,
45,1,,26716-160002,, "NUT M16",2,
46,1,,22217-140000,, "SPRING WASHER 14",2,
47,1,,22242-000700,, "CIRCLIP 70",1,
48,1,,24761-020000,, "NIPPLE PT1/8,GREASE",2,
49,1,,26013-100202,, "BOLT W/WASHER M10X20",2,
50,1,,26013-120252,, "BOLT M12X 25",1,
51,1,,26076-161702,, "BOLT 10.9 16X170",1,
52,1,,26116-121302,, "BOLT M12X130 PLATED",1,
53,1,,26116-140352,, "BOLT M14X 35 PLATED",2,
54,1,,26716-120002,, "NUT 12",2,

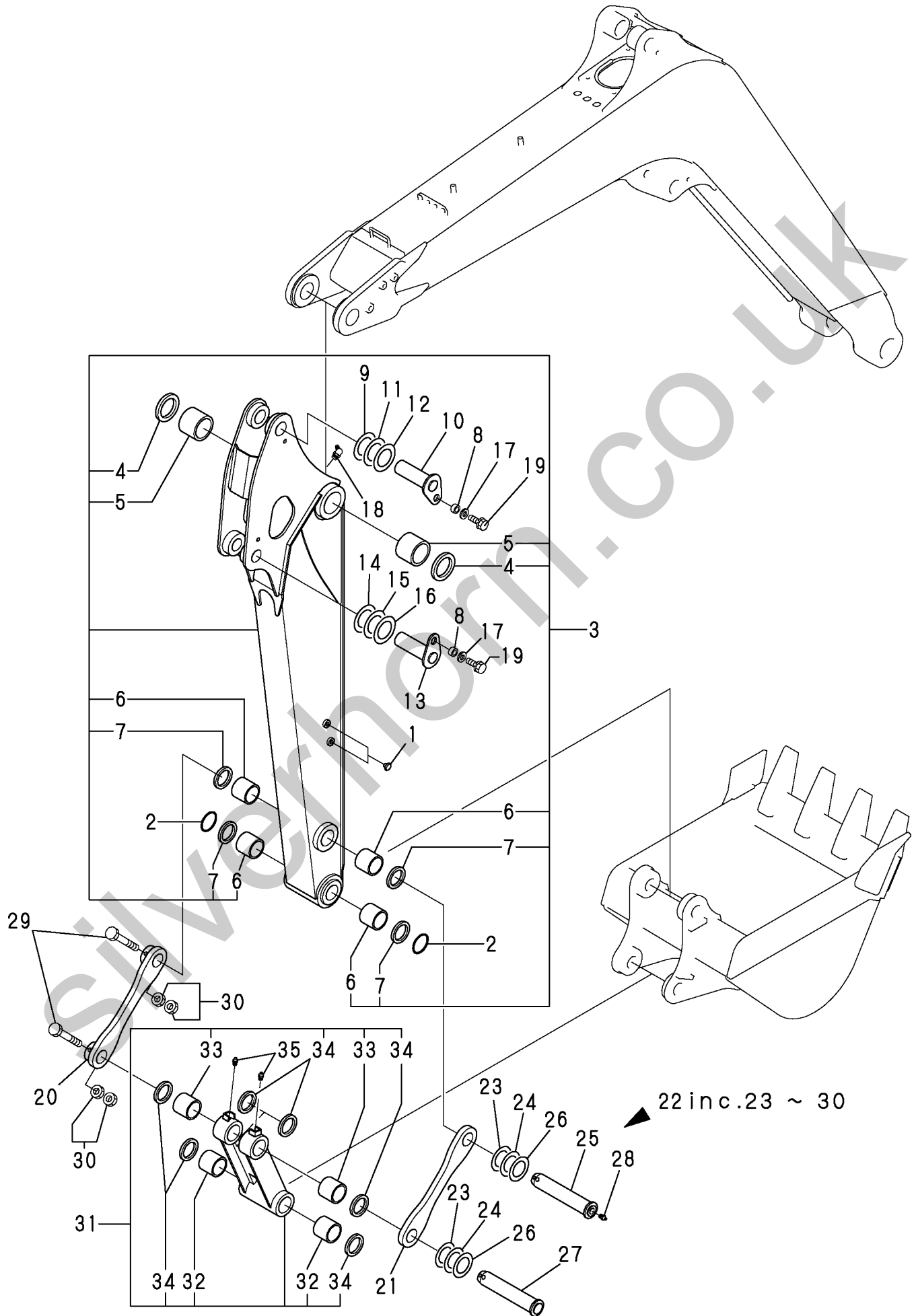
Fig. 53 BOOM & BOOM BRACKET



1,1,,172183-81160,, "TREE CLIP",4,,,,,,,,,,,,,,,,,,,,,
2,1,,172125-81280,, "O-RING 81X8",2,,,,,,,,,,,,,,,,,,,,,
3,1,,172460-81500-1,, "ARM 1500 (YELLOW:87)",1,,,,,,,,,,,,,,,,,,,,,
4,2,,172162-81050,, "SEAL 60X75X6,DUST",2,,,,,,,,,,,,,,,,,,,,,
5,2,,172445-81360,, "BUSH 60X75",2,,,,,,,,,724600322,,,,,,,,,,,,,I
6,2,,172112-83500,, "PIN BUSH 45X60",4,,,,,,,,,,,,,,,,,,,,,
7,2,,933126-44500,, "SEAL VAY45X55X4,DUST",4,,,,,,,,,,,,,,,,,,,,,
8,1,,172164-81670,, "SPACER",2,,,,,,,,,,,,,,,,,,,,,
9,1,,172165-82520,, "SHIM 50X85X0.5",1,,,,,,,,,,,,,,,,,,,,,
10,1,,172460-82520-1,, "PIN 50X134(YELLOW:87)",1,,,,,,,,,,,,,,,,,,,,,
11,1,,172165-82530,, "SHIM 50X85X1.2",1,,,,,,,,,,,,,,,,,,,,,
12,1,,172165-82540,, "SHIM 50X85X1.6",1,,,,,,,,,,,,,,,,,,,,,
13,1,,172460-82540-1,, "PIN 45X138(YELLOW:87)",1,,,,,,,,,,,,,,,,,,,,,
14,1,,172165-82550,, "SHIM 45X1.2",1,,,,,,,,,,,,,,,,,,,,,
15,1,,172165-82560,, "SHIM 45X80X1.2",1,,,,,,,,,,,,,,,,,,,,,
16,1,,172165-82570,, "SHIM 45X80X1.6",1,,,,,,,,,,,,,,,,,,,,,
17,1,,22157-120000,, "WASHER 12",2,,,,,,,,,,,,,,,,,,,,,
18,1,,24761-040000,, "NIPPLE B,GREASE",1,,,,,,,,,,,,,,,,,,,,,
19,1,,26013-120252,, "BOLT M12X 25",2,,,,,,,,,,,,,,,,,,,,,
20,1,,172460-82350-1,, "ARM ASSY,BUCKET (87)",1,,,,,,,,,,,,,,,,,,,,,
21,1,,172460-82360-1,, "ARM,BUCKET(YELLOW:87)",1,,,,,,,,,,,,,,,,,,,,,
22,1,,172460-82650,, "PIN KIT, ARM (97)",1,,,,,,,,,,,,,,,,,,,,,
23,2,,172165-82550,, "SHIM 45X1.2",2,,,,,,,,,,,,,,,,,,,,,
24,2,,172165-82560,, "SHIM 45X80X1.2",2,,,,,,,,,,,,,,,,,,,,,
25,2,,172460-82560,, "PIN 45X217 (97)",1,,,,,,,,,,,,,,,,,,,,,
26,2,,172165-82570,, "SHIM 45X80X1.6",2,,,,,,,,,,,,,,,,,,,,,
27,2,,172460-82590,, "PIN 45X217 (97)",1,,,,,,,,,,,,,,,,,,,,,
28,2,,24761-020000,, "NIPPLE PT1/8,GREASE",1,,,,,,,,,,,,,,,,,,,,,
29,2,,26116-100802,, "BOLT M10X 80 PLATED",2,,,,,,,,,,,,,,,,,,,,,
30,2,,26716-100002,, "NUT 10",4,,,,,,,,,,,,,,,,,,,,,
31,1,,172460-82380,, "LINK, BUCKET (87)",1,,,,,,,,,,,,,,,,,,,,,
32,2,,172112-83500,, "PIN BUSH 45X60",2,,,,,,,,,724600322,,,,,,,,,,,,,I
33,2,,172112-86250,, "BUSH 45X39, PIN",2,,,,,,,,,,,,,,,,,,,,,
34,2,,933126-44500,, "SEAL VAY45X55X4,DUST",6,,,,,,,,,,,,,,,,,,,,,
35,1,,24761-020000,, "NIPPLE PT1/8,GREASE",2,,,,,,,,,,,,,,,,,,,,,

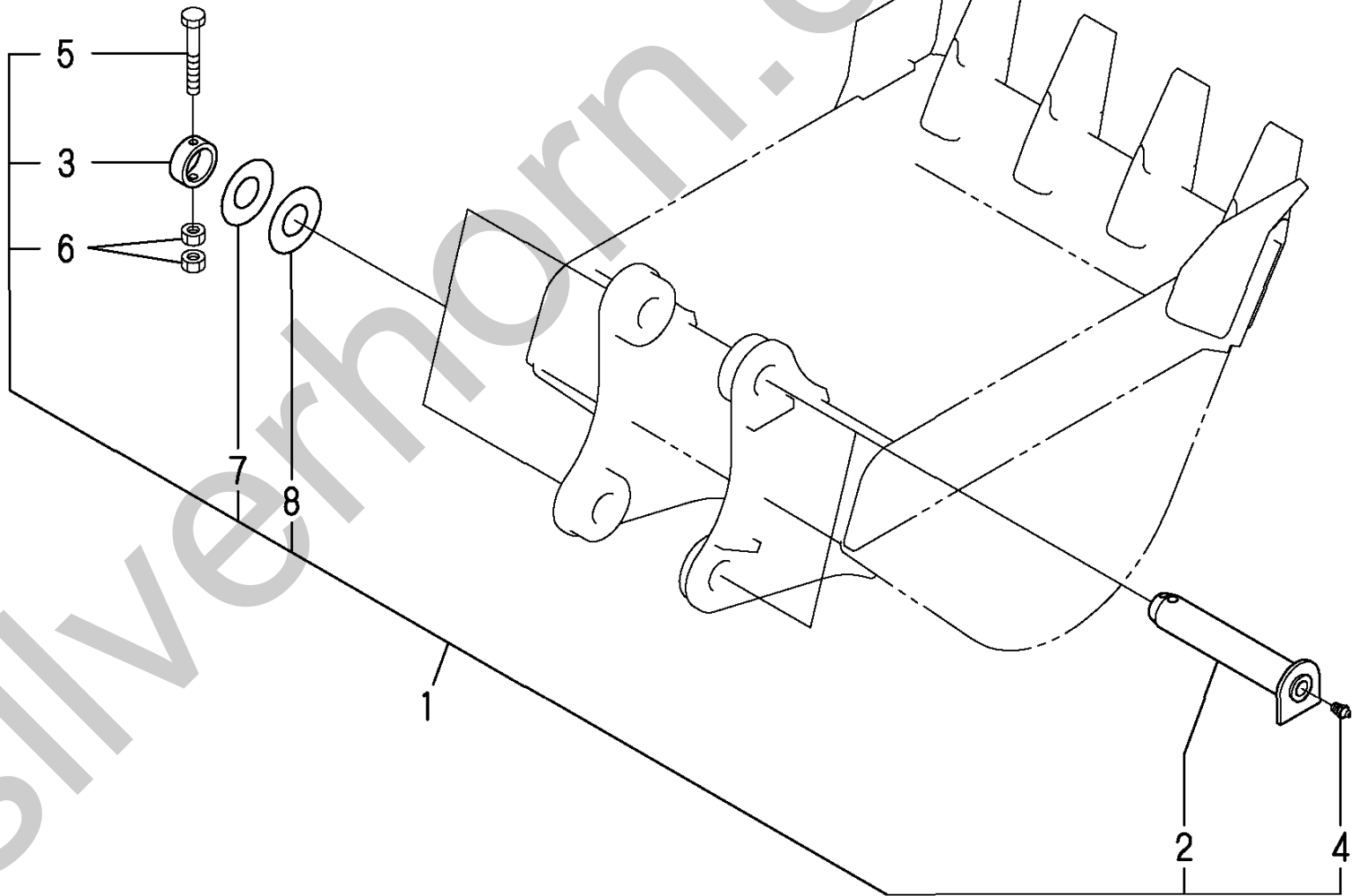


Fig. 54 ARM & BUCKET LINK



1,1,,172176-81950-4,, "PIN KIT,BUCKET (82)",1,,,,,,,,M,,,,,,,,,,,,,I
1-1,1,,172176-81950-4,, "PIN KIT,BUCKET (82)",2,,,,,,,,,,,,,,I
2,2,,172176-81560-4,, "PIN 45X271 ASSY (82)",2,,,,,,,,,,,,,
3,2,,172176-81640,, "COLLAR 45X60.5X22",2,,,,,,,,,,,,,
4,2,,24761-020000,, "NIPPLE PT1/8,GREASE",2,,,,,,,,,,,,,
5,2,,26116-100752,, "BOLT M10X 75 PLATED",2,,,,,,,,,,,,,
6,2,,26716-100002,, "NUT 10",4,,,,,,,,,,,,,
7,2,,172124-81930,, "SHIM 45X0.8",2,,,,,,,,,,,,,
7-1,2,,172165-82550,, "SHIM 45X1.2",2,,,,,,,,,R,,724580547,*2003.05,,,,,,,,,I
8,2,,172124-81940,, "SHIM 45X1.2",2,,,,,,,,,,,,,
8-1,2,,172165-82560,, "SHIM 45X80X1.2",2,,,,,,,,,R,,724580547,*2003.05,,,,,,,,,I

Silverhorn.CO.UK



1,1,,172164-81650-2,, "PIN 45X122(GREEN:82)",2,,,,,,,,,,,,,,,,,,,,,
2,1,,172164-81670,, SPACER,2,,,,,,,,,,,,,,,,,,,,,
3,1,,172112-87840,, "SHIM 45X1",4,,,,,,,,,,,,,,,,,,,,,
4,1,,172460-94100-1,, "BLADE ASSY(GREEN:82)",1,,,,,,,,,,,,,,,,,,,,,
5,2,,172151-72670,, "BUSH 45 50",2,,,,,,,,,,,,,,,,,,,,,
6,2,,172168-81410,, "SEAL 45X55X4, DUST",4,,,,,,,,,,,,,,,,,,,,,
7,1,,172423-94210,, "PIN 45X120",2,,,,,,,,,,,,,,,,,,,,,
8,1,,172124-94310-2,, "PLATE,LOCK(GREEN:82)",2,,,,,,,,,,,,,,,,,,,,,
9,1,,22157-120000,, "WASHER 12",2,,,,,,,,,,,,,,,,,,,,,
10,1,,24761-020000,, "NIPPLE PT1/8,GREASE",2,,,,,,,,,,,,,,,,,,,,,
11,1,,24761-040000,, "NIPPLE B,GREASE",2,,,,,,,,,,,,,,,,,,,,,
12,1,,26013-100252,, "BOLT W/WASHER M10X25",4,,,,,,,,,,,,,,,,,,,,,
13,1,,26013-120302,, "BOLT W/WASHER M12X30",2,,,,,,,,,,,,,,,,,,,,,

Silverhorn.CO.UK

Fig. 56 BLADE

